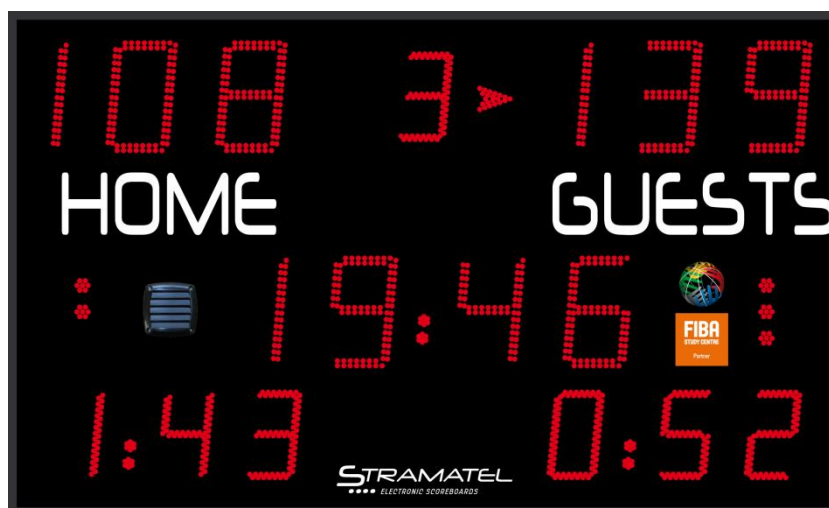


## TECHNICAL DATA - INSTALLATION INSTRUCTIONS

### Model 452 X MB 7000



Non-binding pictures

# Multisport Compact Pro

## ● Recommendations

Thank you for choosing a STRAMATEL scoreboard!

We hope that you will be fully satisfied with our product. For any information, please do not hesitate to contact us.

In order to install the scoreboard set correctly, we recommend that the instructions indicated are followed correctly, and that the material supplied by STRAMATEL is used correctly without any alteration.

However, if extra information is required, please contact Stramatel technical service with the model reference and serial number (on the sticker under the control console).

Any alteration made to the equipment delivered may deteriorate it and result in the cancelling of the warranty.

Caution: Installation must be performed by qualified staff and must comply with IEC 364 and national wiring regulations.

## ● Technical data

Equipment for outdoor use. The control consoles should be protected against bad weather conditions (during the operation but also when the scoreboard is not in use).

Use a soft dry cloth to clean the equipment.

### Scoreboard

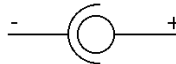
Class I equipment – Must be connected to earth.	
Dimensions	1900 x 1150 x 90 mm
Weight	36 kg
Power supply	100-240V 50/60Hz 1,60-0,67A
Power consumed (Max)	160VA



Horn loudness (120dBa at 1m): ⚠ the high sound pressure can deteriorate hearing. Therefore, the spectators should be kept at a reasonable distance from the scoreboard. The horn is not equipped with the possibility to adjust the loudness of its sound. However, it is possible to dampen down the sound by replacing the grill in front of the horn by a full plate of the same dimension (125x125mm).

### Control console – Radio controlled model

Dimensions	340 x 175 x 60 mm
Weight	790 g
Transmission frequency	863 - 870 MHz
Power supply	100-240V 50/60Hz / 12Vdc 500mA
Internal batteries	NIMH 5x1,2V 1300mAh (16 hours autonomy)



Use only power supply and batteries supplied by STRAMATEL.

Control console recharge: turn off the control console. Plug the power supply into the back of the control console, then plug it into an appropriate mains outlet (the socket should be as close as possible to the control console and must be easily accessible).

**Leave the control console under constant recharge when not in use.**

### Control console – Cable transmission model

Dimensions	340 x 175 x 60 mm
Weight	650 g



Power supply: the control console is powered by the scoreboard. It should only be connected to the STRAMATEL system supplied.

### Separate timer control console

Dimensions	145 x 150 x 40 mm
Weight	180 g



Power supply: the console is powered by the main control console. It should only be connected to the STRAMATEL system supplied.

## ● Environment and recycling

Please help us to protect the environment by disposing of the packaging in accordance with the national regulations for waste processing.

**Recycling of obsolete appliances:** appliances with this label must not be disposed off with the general waste. They must be collected separately and disposed off according to local regulations.



# Multisport Compact Pro

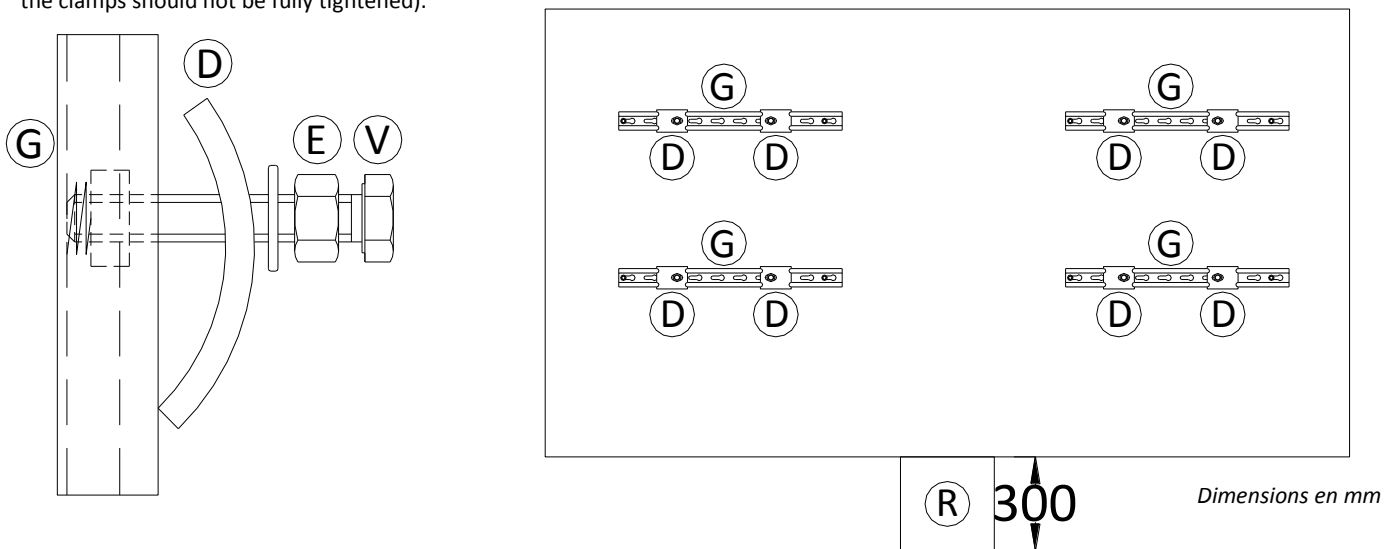
## ● Before installation

The electronic elements controlling the luminous display are mounted on extractable racks (R). In order to be able to carry out any maintenance, a clear space of at least 30 cm is necessary for the extraction of the racks. Attention: installation must be performed by qualified staff.

The scoreboard will be fixed onto 2 vertical 180x90mm I-Beams with supplied fixing clamps (D).

The fastening rails (G) located at the rear of the scoreboard, are equipped with M10 spring nuts.

Fix 2 clamps (D) on each fastening rail (G) as mentioned below. Tighten the screws (V), then unscrew them by quarter a turn (as a first step, the clamps should not be fully tightened).



## ● Scoreboard installation

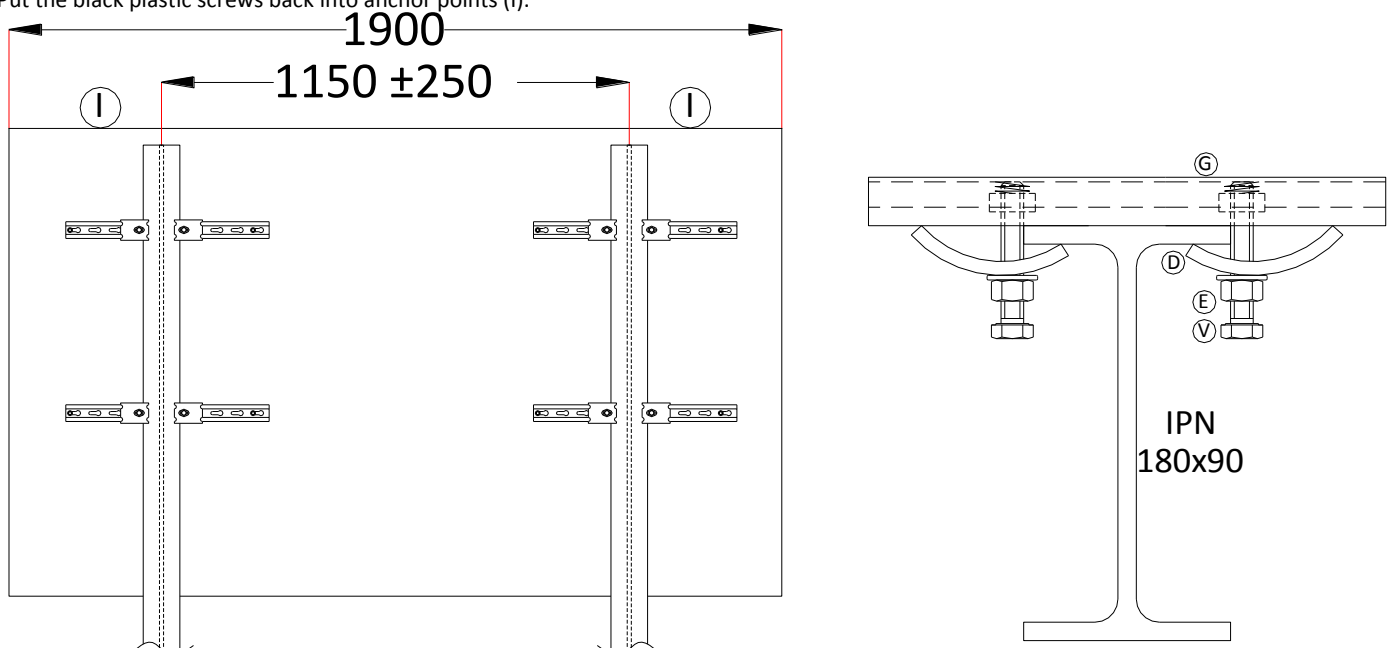
In order to make the installation easier, the anchor points (I), located on the top side of the module can be used (NB: Anchor points = insert holes in aluminium frame). If you want to use them to lift or install the module, replace the black plastic screws by M6x40 eyescrews (closed rings, not supplied). Caution: the black plastic screws should not be used to lift or fix the module (they are only dedicated to protect the scoreboard from water intrusion).

Lift the scoreboard and lean it against the 2 vertical 180x90mm I-Beams. Make sure the scoreboard is in a horizontal position.

On each fastening rail, move the clamps as close to the I-beams as possible (the screws should imperatively touch the I-Beam to make sure the clamps are properly fixed). Tighten the screws (V) on the fastening rails (G).

Tighten the lock nuts (E) to secure the clamps (D) on each I-Beam

Put the black plastic screws back into anchor points (I).

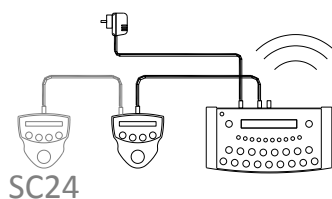
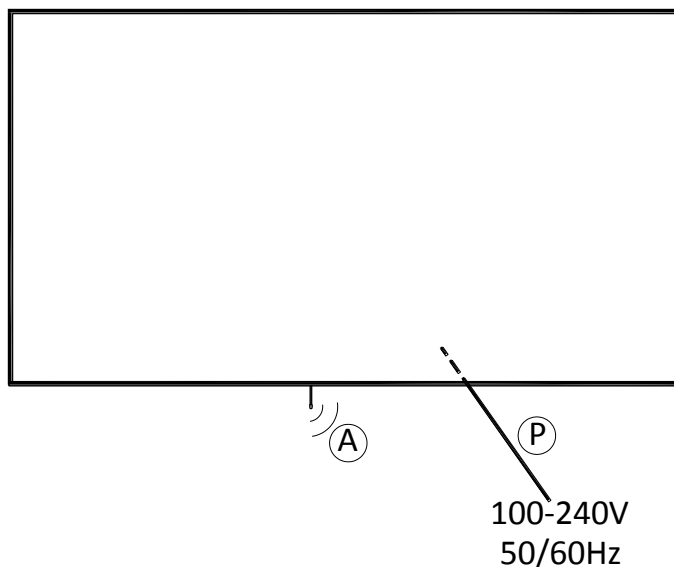


## ● Radio controlled model - Electrical installation

Caution: the scoreboard must not be connected to mains before installation has been fully completed.

### Mains cable (P)

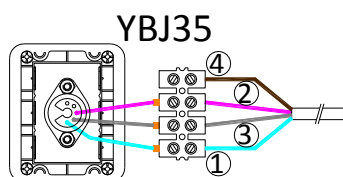
Connect the cable (P) to 100-240V electrical power supply. The electrical power supply should be protected via a bipolar 4A circuit breaker (not supplied). Bipolar circuit breaker must be easy to reach.



### In case a cable set needs to be installed: control cable and wall junction box

Install the cable set as described in "Cable transmission model - Electrical installation".

Note: radio controlled model: +24V is not connected in the wall junction box (wall junction box YBJ35).



Control cable (Q): (1) = GND = blue wire / (2) = Rx+ = white wire / (3) = Rx- = grey wire / (4) = +24V = transparent wire

## ● End of the installation

Turn on the power.

Try out the scoreboard operating functions (see operating functions).

## ● Cable transmission model - Electrical installation

Caution: the scoreboard must not be connected to mains before installation has been fully completed.

### Control cable and wall junction box

The transmission cable supplied is a telephone cable: type 2 pairs 6/10<sup>th</sup>.

Mount the wall junction box YBJ30 onto the wall close to the scoring table.

Connect the control cable (Q) on the connector (T) of the scoreboard making sure that the colour code is followed (Please note – RS485: Rx+ and Rx- must be connected on a twisted pair).

Extract the electronic rack (R) from the scoreboard: unscrew the two screws (B) with a 7 mm pipe spanner, then let the rack (R) slide downwards.

Put the connector (T) inside the scoreboard through the grommet (K).

Plug the connector (T) on the electronic circuit board and fix the cable on the rack with a plastic collar (J).

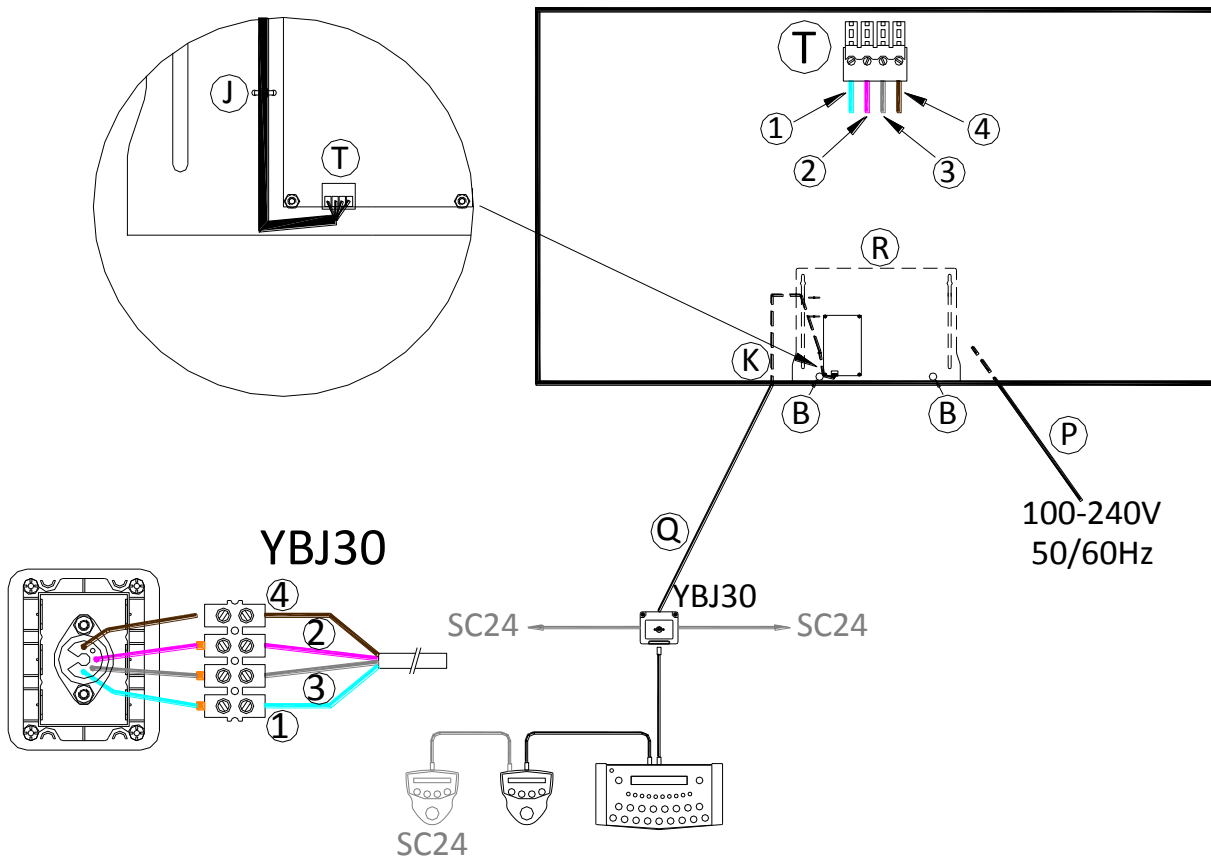
Put the rack (R) back inside the scoreboard and screw the two screws (B).

Fix the control cable into place making sure that it does not run alongside the 100-240V mains cables.

Connect the end wires into the junction box YBJ30, making sure that the colour code is followed. If several units are connected together, their cables must be wired in parallel in the wall junction box.

### Mains cable (P)

Connect the cable (P) to 100-240V electrical power supply. The electrical power supply should be protected via a bipolar 4A circuit breaker (not supplied). Bipolar circuit breaker must be easy to reach.



Control cable (Q): (1) = GND = blue wire / (2) = Rx+ = white wire / (3) = Rx- = grey wire / (4) = +24V = transparent wire

## ● End of the installation

Turn on the power.

Try out the scoreboard operating functions (see operating functions).

# STRAMATEL

●●●● *ELECTRONIC SCOREBOARDS*



ZI de Bel Air

44850 LE CELLIER

FRANCE

☎: +33 (0)2 40 25 46 90

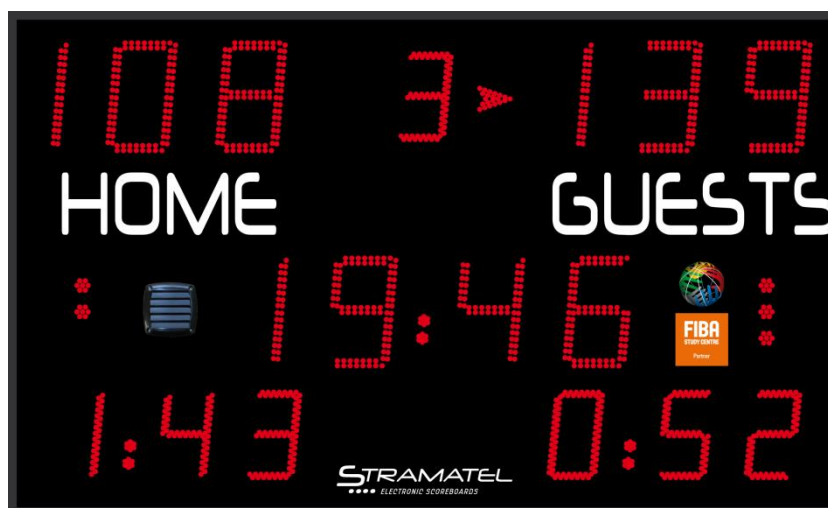
**Fax:** +33 (0)2 40 25 30 63

✉ [stramatel@stramatel.com](mailto:stramatel@stramatel.com)

[www.stramatel.com](http://www.stramatel.com)

## TECHNICAL DATA - INSTALLATION INSTRUCTIONS

### Model 452 X MB 7000



*Non-binding pictures*

# Multisport Compact Pro

## ● Recommendations

Thank you for choosing a STRAMATEL scoreboard!

We hope that you will be fully satisfied with our product. For any information, please do not hesitate to contact us.

In order to install the scoreboard set correctly, we recommend that the instructions indicated are followed correctly, and that the material supplied by STRAMATEL is used correctly without any alteration.

However, if extra information is required, please contact Stramatel technical service with the model reference and serial number (on the sticker under the control console).

Any alteration made to the equipment delivered may deteriorate it and result in the cancelling of the warranty.

Caution: Installation must be performed by qualified staff and must comply with IEC 364 and national wiring regulations.

## ● Technical data


Equipment for outdoor use. The control consoles should be protected against bad weather conditions (during the operation but also when the scoreboard is not in use).

Use a soft dry cloth to clean the equipment.

### Scoreboard

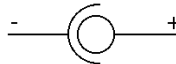
Class I equipment – Must be connected to earth.	
Dimensions	1900 x 1150 x 90 mm
Weight	36 kg
Power supply	100-240V 50/60Hz 1,60-0,67A
Power consumed (Max)	160VA



Horn loudness (120dBa at 1m):  the high sound pressure can deteriorate hearing. Therefore, the spectators should be kept at a reasonable distance from the scoreboard. The horn is not equipped with the possibility to adjust the loudness of its sound. However, it is possible to dampen down the sound by replacing the grill in front of the horn by a full plate of the same dimension (125x125mm).

### Control console – Radio controlled model

Dimensions	340 x 175 x 60 mm
Weight	790 g
Transmission frequency	863 - 870 MHz
Power supply	100-240V 50/60Hz / 12Vdc 500mA
Internal batteries	NIMH 5x1,2V 1300mAh (16 hours autonomy)



Use only power supply and batteries supplied by STRAMATEL.

Control console recharge: turn off the control console. Plug the power supply into the back of the control console, then plug it into an appropriate mains outlet (the socket should be as close as possible to the control console and must be easily accessible).

**Leave the control console under constant recharge when not in use.**

### Control console – Cable transmission model

Dimensions	340 x 175 x 60 mm
Weight	650 g



Power supply: the control console is powered by the scoreboard. It should only be connected to the STRAMATEL system supplied.

### Separate timer control console

Dimensions	145 x 150 x 40 mm
Weight	180 g



Power supply: the console is powered by the main control console. It should only be connected to the STRAMATEL system supplied.

## ● Environment and recycling

Please help us to protect the environment by disposing of the packaging in accordance with the national regulations for waste processing.

**Recycling of obsolete appliances:** appliances with this label must not be disposed off with the general waste. They must be collected separately and disposed off according to local regulations.





## ● Before installation

The electronic elements controlling the luminous display are mounted on extractable racks (R). In order to be able to carry out any maintenance, a clear space of at least 30 cm is necessary for the extraction of the racks. Attention: installation must be performed by qualified staff.

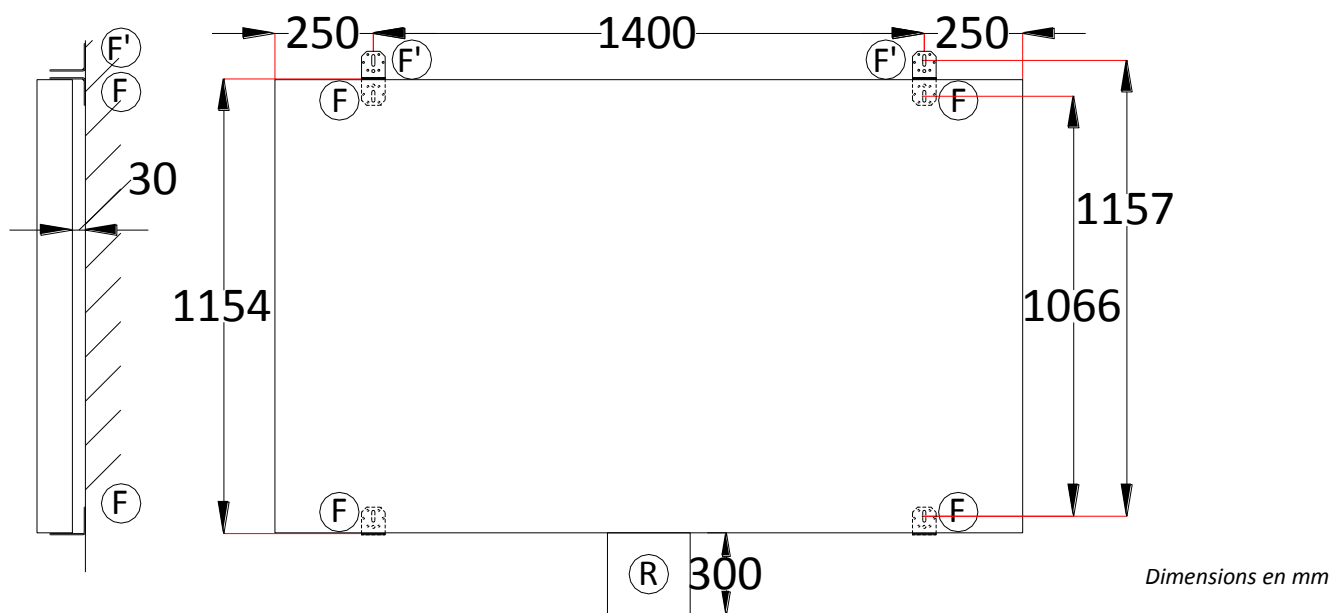
4 angle brackets are supplied to install the scoreboard (on a wall or on a support frame).

For aesthetic reasons, it is preferable to install the 2 top angle brackets with angle behind the scoreboard, see setting (F).

But to make the installation easier, the top angle brackets can also be installed with angle above the scoreboard, see setting (F').

Draw the position of the mounting points (F) or (F') onto the wall or onto the support frame according the dimensions of the diagram.

Fix the angle brackets with 4 Ø8mm screws onto a wall or onto a support frame



## ● Scoreboard installation

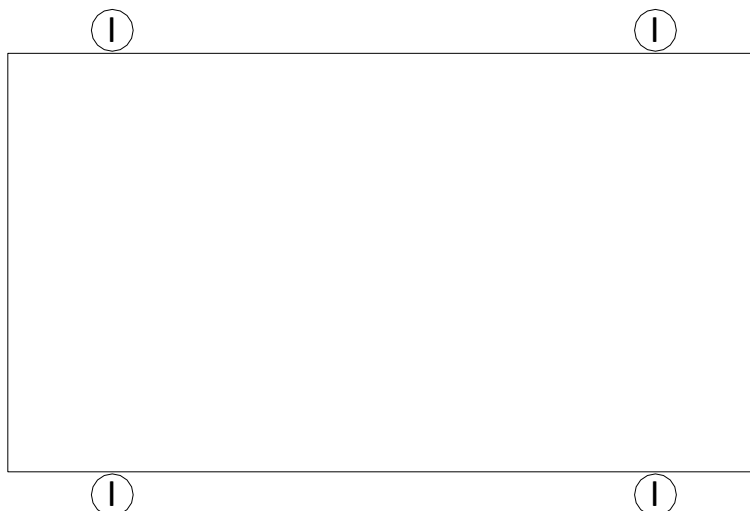
In order to make installation easier, anchor points (I) are available on the top side of the scoreboard (insert holes in aluminium frame). Screw-rings, type M6x40 (not supplied) can be screwed into place in each hole.

Lift the scoreboard near the brackets.

If the pre-installed (electrical) supply is behind the scoreboard: turn off the electrical power, then connect the mains cable with the pre-installed (electrical) supply (see chapter "Electrical installation" – "Mains cable"). The scoreboard must not be connected to mains until the installation has been fully completed.

Place the scoreboard between the brackets, as close to the wall as possible.

Fix the scoreboard with the brackets by using the supplied stainless steel screws & washers Ø6mm (anchor points (I)).

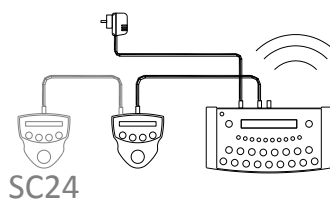
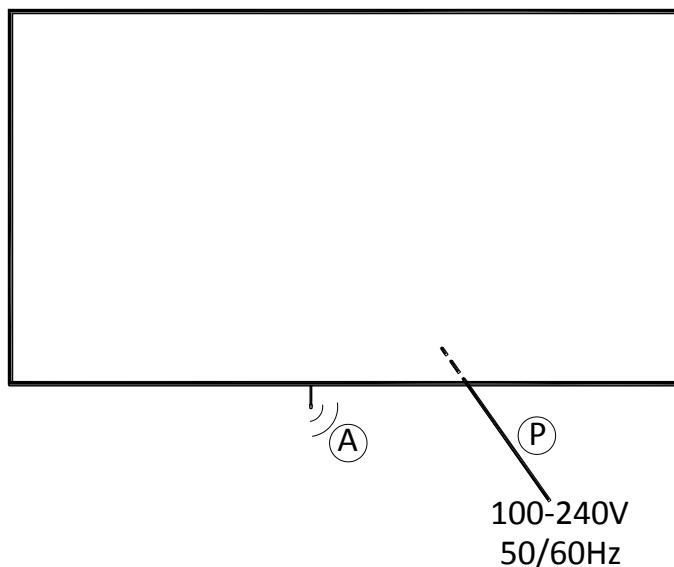


## ● Radio controlled model - Electrical installation

Caution: the scoreboard must not be connected to mains before installation has been fully completed.

### Mains cable (P)

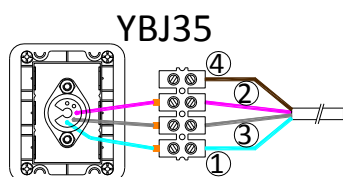
Connect the cable (P) to 100-240V electrical power supply. The electrical power supply should be protected via a bipolar 4A circuit breaker (not supplied). Bipolar circuit breaker must be easy to reach.



### In case a cable set needs to be installed: control cable and wall junction box

Install the cable set as described in "Cable transmission model - Electrical installation".

Note: radio controlled model: +24V is not connected in the wall junction box (wall junction box YBJ35).



Control cable (Q): (1) = GND = blue wire / (2) = Rx+ = white wire / (3) = Rx- = grey wire / (4) = +24V = transparent wire

## ● End of the installation

Turn on the power.

Try out the scoreboard operating functions (see operating functions).

## ● Cable transmission model - Electrical installation

Caution: the scoreboard must not be connected to mains before installation has been fully completed.

### Control cable and wall junction box

The transmission cable supplied is a telephone cable: type 2 pairs 6/10<sup>th</sup>.

Mount the wall junction box YBJ30 onto the wall close to the scoring table.

Connect the control cable (Q) on the connector (T) of the scoreboard making sure that the colour code is followed (Please note – RS485: Rx+ and Rx- must be connected on a twisted pair).

Extract the electronic rack (R) from the scoreboard: unscrew the two screws (B) with a 7 mm pipe spanner, then let the rack (R) slide downwards.

Put the connector (T) inside the scoreboard through the grommet (K).

Plug the connector (T) on the electronic circuit board and fix the cable on the rack with a plastic collar (J).

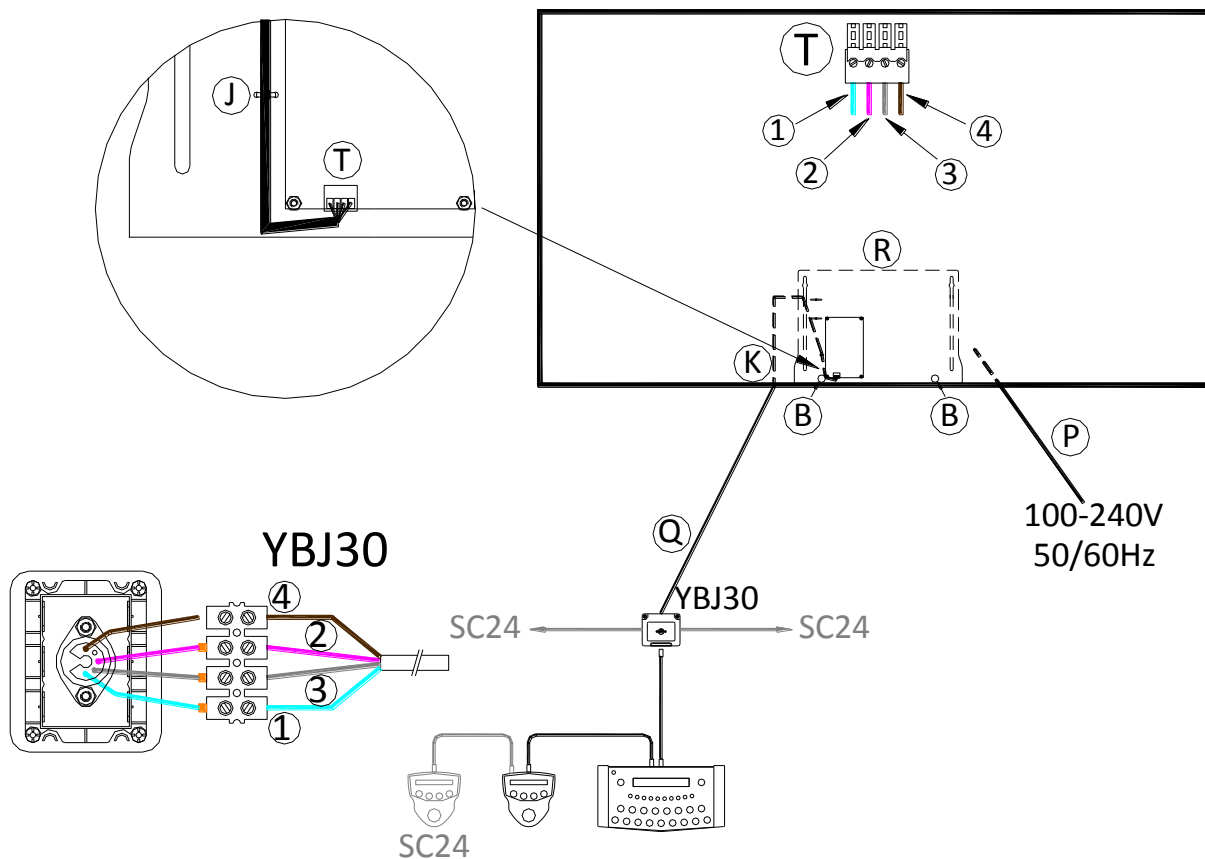
Put the rack (R) back inside the scoreboard and screw the two screws (B).

Fix the control cable into place making sure that it does not run alongside the 100-240V mains cables.

Connect the end wires into the junction box YBJ30, making sure that the colour code is followed. If several units are connected together, their cables must be wired in parallel in the wall junction box.

### Mains cable (P)

Connect the cable (P) to 100-240V electrical power supply. The electrical power supply should be protected via a bipolar 4A circuit breaker (not supplied). Bipolar circuit breaker must be easy to reach.



Control cable (Q): (1) = GND = blue wire / (2) = Rx+ = white wire / (3) = Rx- = grey wire / (4) = +24V = transparent wire

## ● End of the installation

Turn on the power.

Try out the scoreboard operating functions (see operating functions).

# STRAMATEL

●●●● *ELECTRONIC SCOREBOARDS*



ZI de Bel Air

44850 LE CELLIER

FRANCE

☎: +33 (0)2 40 25 46 90

**Fax:** +33 (0)2 40 25 30 63

✉ [stramatel@stramatel.com](mailto:stramatel@stramatel.com)

[www.stramatel.com](http://www.stramatel.com)