



HORIZON
FITNESS

UPRIGHT BIKE

**OWNER'S MANUAL
BENUTZERHANDBUCH
GEBRUIKERSHANDLEIDING
MANUEL DU PROPRIÉTAIRE**

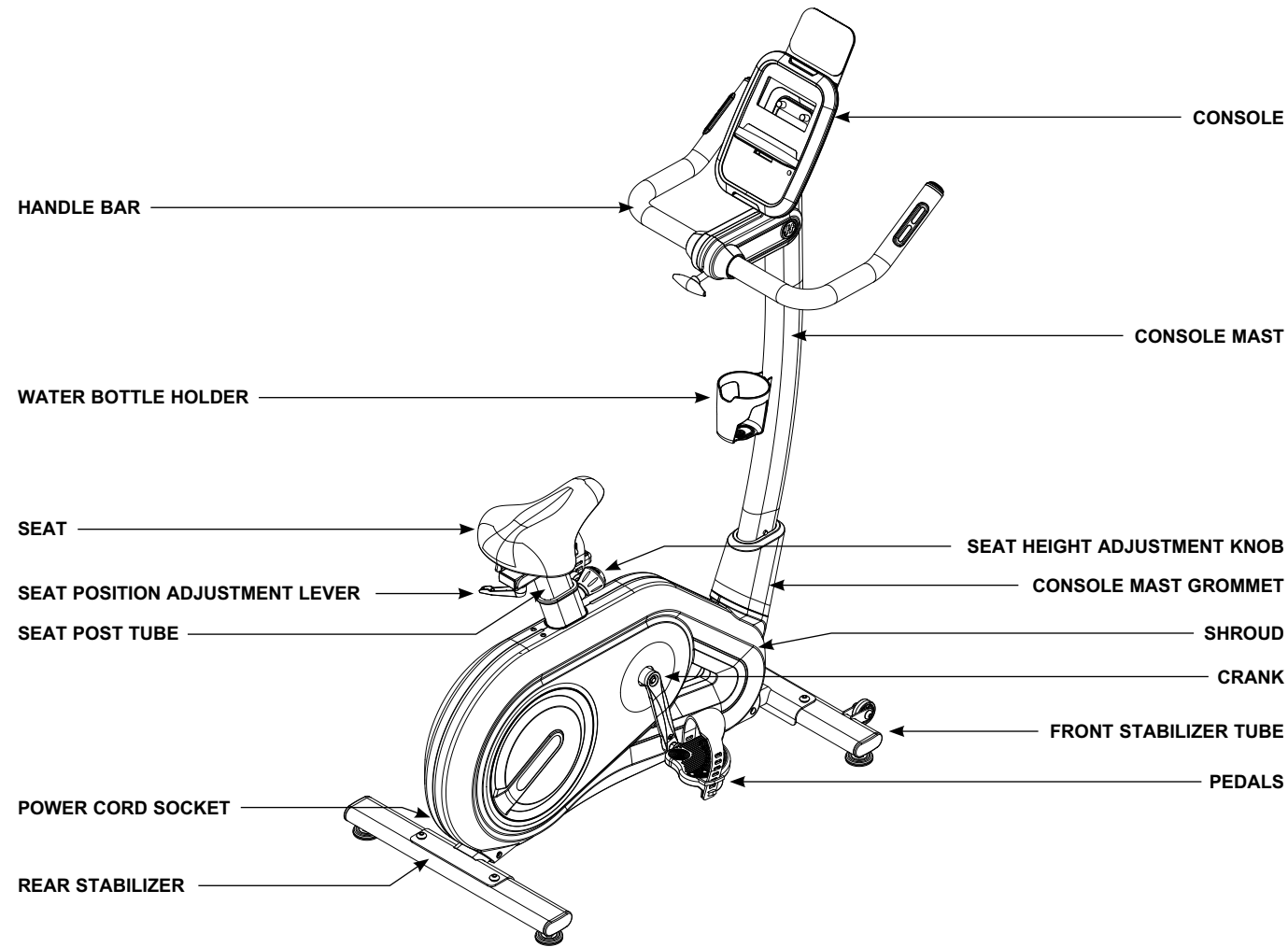


Read the EXERCISE BIKE GUIDE before using this OWNER'S MANUAL.

Lesen Sie dieses ERGOMETER-HANDBUCH, bevor Sie das BENUTZERHANDBUCH verwenden.

Lees de FIETSTRAINERGIDS voor je deze GEBRUIKERSHANDLEIDING gebruikt.

Veillez lire le GUIDE DU VÉLO D'EXERCICE avant d'utiliser ce MANUEL DU PROPRIÉTAIRE.



TOOLS INCLUDED:

- 5mm L Wrench
- 6 mm L Wrench
- 13/15 mm Flat Wrench
- Screwdriver

PARTS INCLUDED:

- 1 Main Frame
- 1 Front Stabilizer Tube
- 1 Rear Stabilizer Tube
- 1 Console
- 1 Console Mast
- 1 Console Mast Grommet
- 1 Handlebar
- 1 Left & Right & Front Handlebar Covers
- 1 Seat
- 1 Seat Post
- 2 Pedals with Straps
- 1 T Knob
- 1 Reading Rack
- 1 Water Bottle Holder
- 1 Power Cord
- 1 Hardware Kit

PRE ASSEMBLY



UNPACKING

Unpack the product where you will be using it. Place the exercise bike carton on a level flat surface. It is recommended that you place a protective covering on your floor. Never open box when it is on its side.

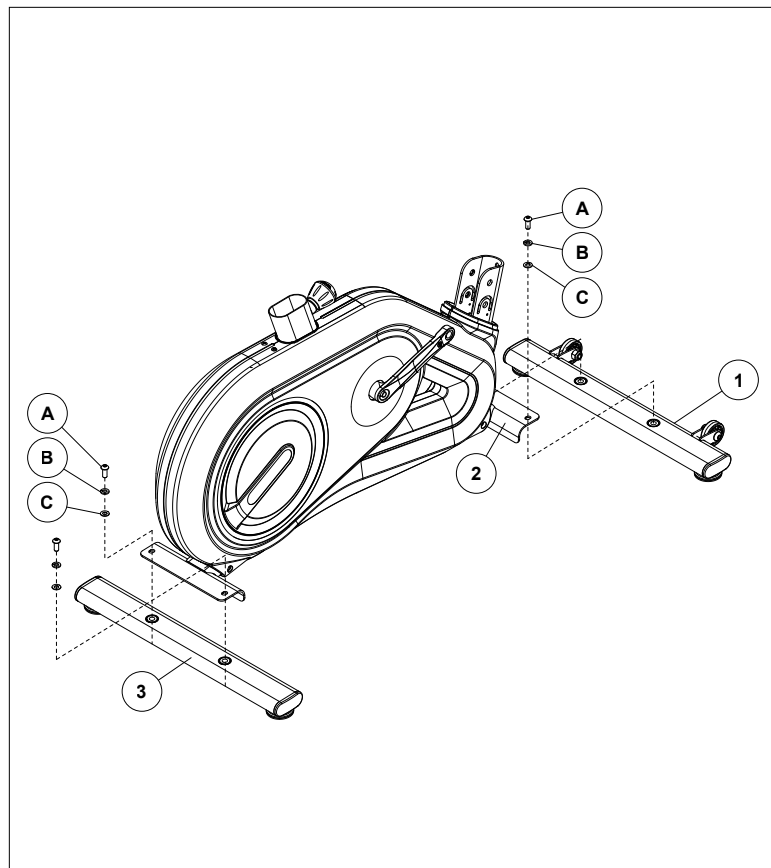
⚠ WARNING

- It is recommended that two people work together for ease and efficiency while assembling an exercise bike.
- During each assembly step, ensure that ALL nuts and bolts are in place and partially threaded. It is recommended you complete the full assembly of your unit before completely tightening any ONE bolt.
- Several parts have been pre-lubricated to aid in assembly and usage. Please do not wipe this off. If you have difficulty, a light application of lithium exercise bike grease is recommended.

☎ NEED HELP?

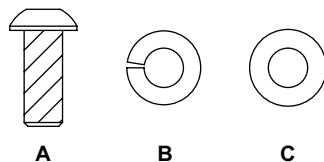
If you have questions or if there are any missing parts, please refer to safety sticker on product to contact Customer Tech Support.

ASSEMBLY STEP 1



HARDWARE FOR STEP 1			
PART	TYPE	DESCRIPTION	QTY
A	BOLT	M8	4
B	SPRING WASHER	Ø8.0	4
C	FLAT WASHER	Ø8.0	4

- A Open **HARDWARE**.
- B Attach the **FRONT STABILIZER TUBE (1)** to **MAIN FRAME (2)** using 2 **BOLTS (A)** & 4 **WASHERS (B&C)**.
- C Attach the **REAR STABILIZER TUBE (3)** to **MAIN FRAME (2)** using 2 **BOLTS (A)** & 4 **WASHERS (B&C)**.



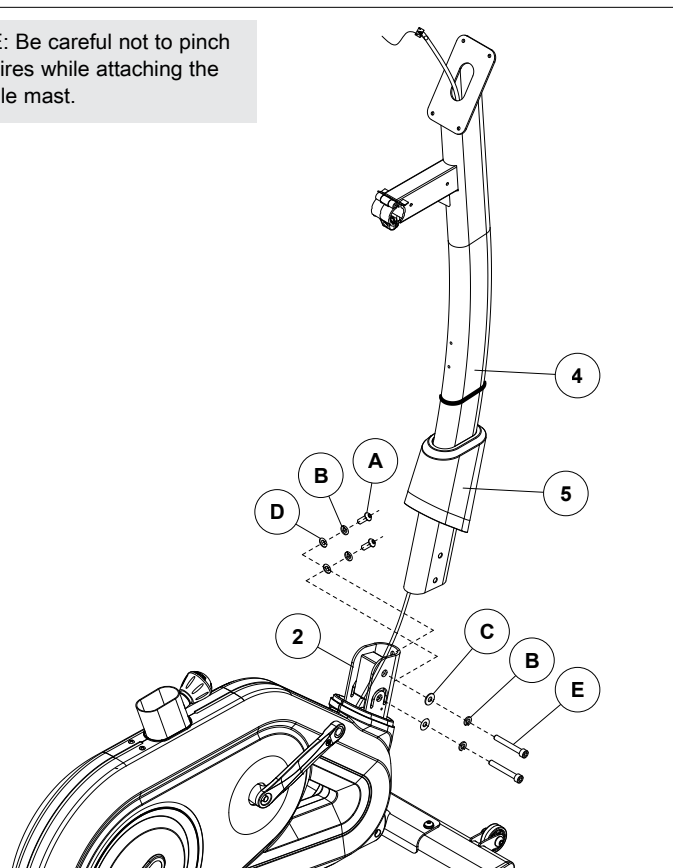
A

B

C

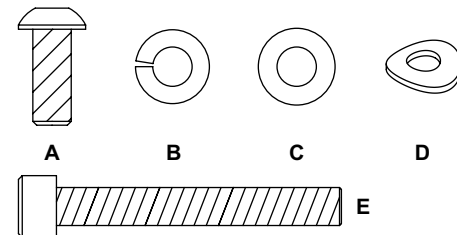
ASSEMBLY STEP 2

NOTE: Be careful not to pinch any wires while attaching the console mast.



HARDWARE FOR STEP 2			
PART	TYPE	DESCRIPTION	QTY
A	BOLT	M8	2
B	SPRING WASHER	Ø8.0	4
C	FLAT WASHER	Ø8.0	2
D	ARC WASHER	Ø8.0	2
E	BOLT	M8	2

- A Slide **CONSOLE MAST GROMMET (5)** from bottom up the **CONSOLE MAST (4)**.
- B Attach **LEAD WIRE** to bottom end of **CONSOLE CABLE**. Pull **LEAD WIRE** through **CONSOLE MAST (4)**. After pulling the lead wire through the mast, the top of the **CONSOLE CABLE** should be located at the top of the mast.
- C Slide **CONSOLE MAST (4)** into **MAIN FRAME (2)** using 2 **BOLTS (A)**, 4 **WASHERS (B&D)** from side and 2 **BOLTS (E)**, 4 **WASHERS (B&C)**, from front side.
- D Slide **CONSOLE MAST GROMMET (5)** down over **MAIN FRAME (2)**.



A

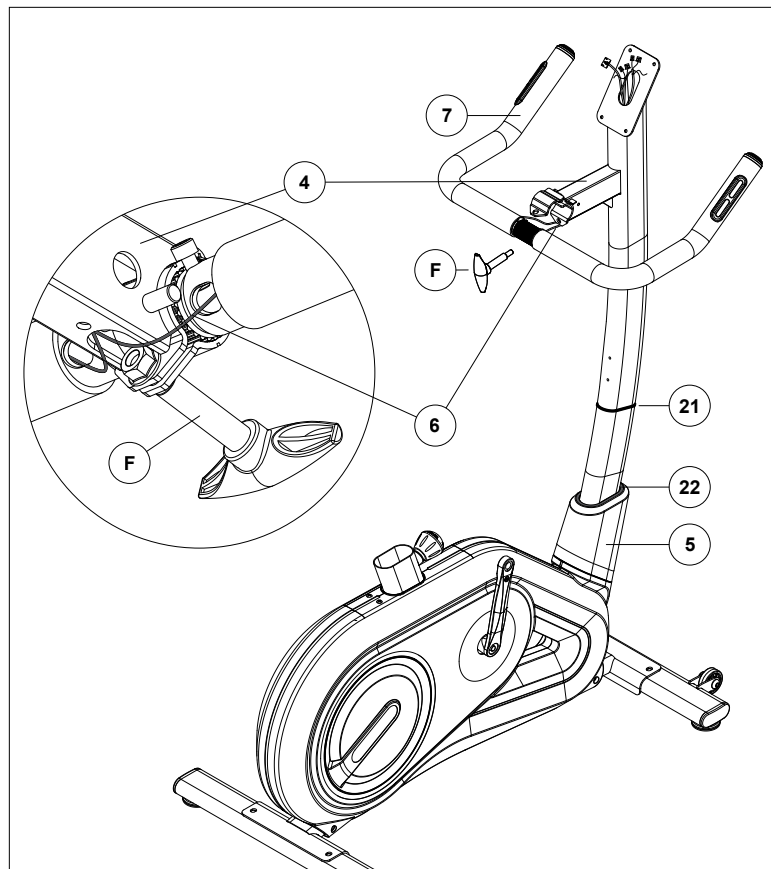
B

C

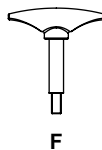
D

E

ASSEMBLY STEP 3

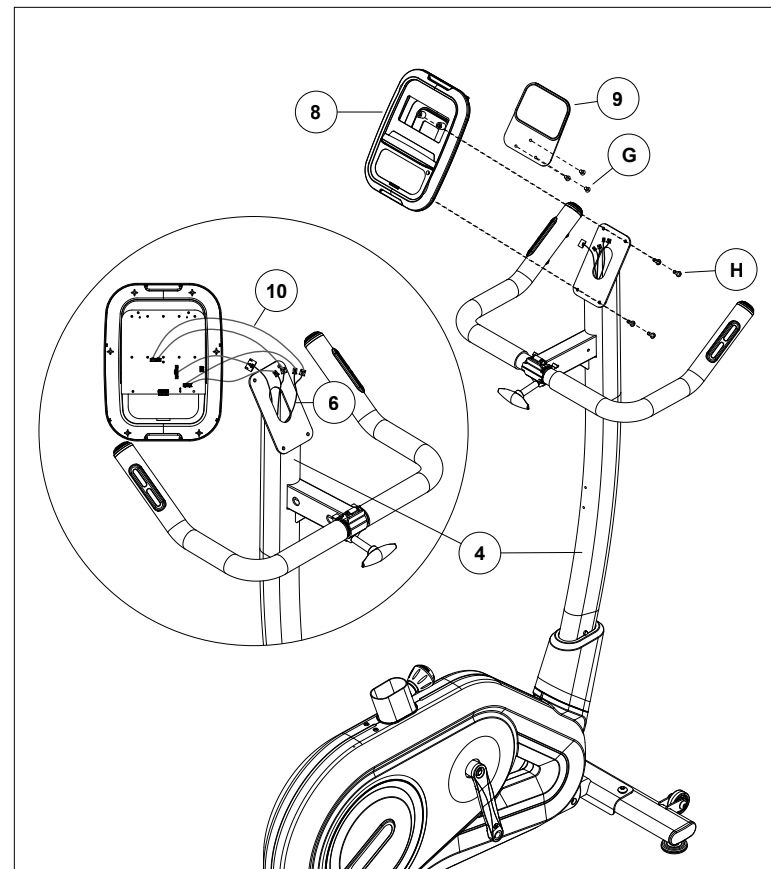


- A Slide **O-RING (21)** down to position **(22)** to secure **CONSOLE MAST GROMMET (5)**.
- B Attach **LEAD WIRE** and feed the **HANDLEBAR WIRES (6)** through the hole in the **CONSOLE MAST (4)** and out the top of the **CONSOLE MAST (4)**.
- C Attach the **HANDLEBAR (7)** to **CONSOLE MAST (4)** using 1 **T KNOB (F)**.



F

ASSEMBLY STEP 4



HARDWARE FOR STEP 4			
PART	TYPE	DESCRIPTION	QTY
G	SCREW	M6	3
H	SCREW	M5	4

- A Attach the **CONSOLE (8)** to the **READING RACK (9)** using 3 **SCREW (G)**.
- B Connect the **CONSOLE CABLES (10)** and **HANDLEBAR WIRES (6)**. Carefully tuck the **CONSOLE CABLES (10)** and **HANDLEBAR WIRES (6)** into the **CONSOLE MAST (4)**.
- C Attach the **CONSOLE (8)** to the **CONSOLE MAST (4)** using 4 **SCREW (H)**.

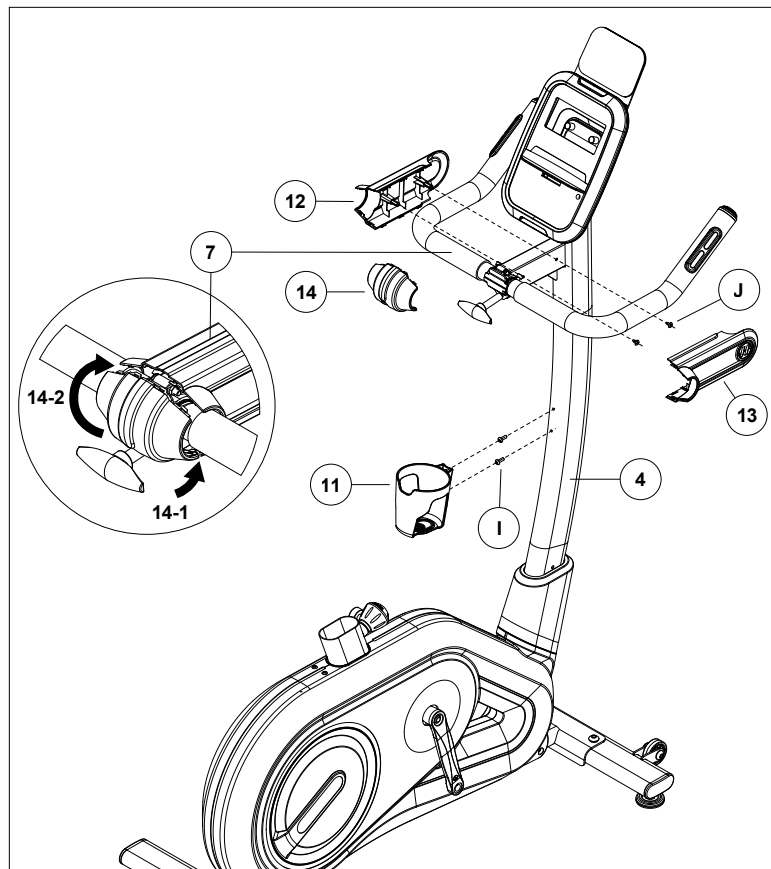


G



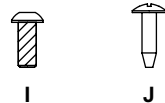
H

ASSEMBLY STEP 5

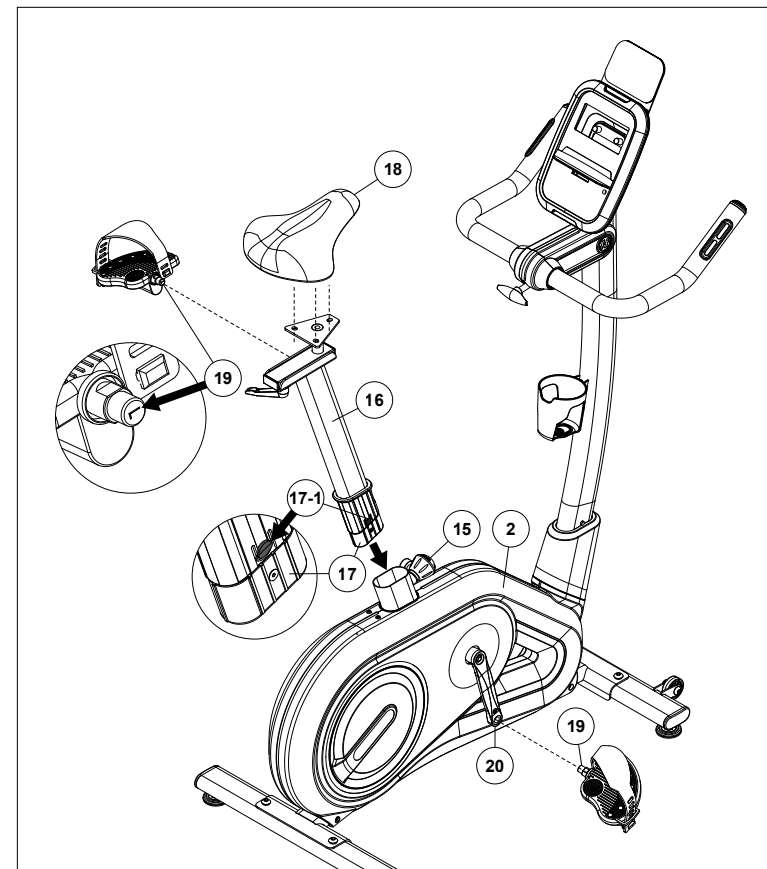


HARDWARE FOR STEP 5			
PART	TYPE	DESCRIPTION	QTY
I	SCREW	M5	2
J	SCREW	Ø4	2

- A Attach the **WATER BOTTLE HOLDER (11)** to the **CONSOLE MAST (4)** using 2 **SCREWS (I)**.
- B Attach the **LEFT HANDLEBAR COVER (12)** to the **HANDLEBAR (7)** using 2 **SCREWS (J)**.
- C Snap in the **RIGHT HANDLEBAR COVER (13)** to the **HANDLEBAR (7)**, attach the bottom first and then press the top to secure.
- D Snap in the **FRONT HANDLEBAR COVER (14)** to the **HANDLEBAR (7)** using same method.



ASSEMBLY STEP 6



- A Pull the **SEAT HEIGHT ADJUSTMENT KNOB (15)** outward while sliding the **SEAT POST (16)** into **MAIN FRAME (2)**. Press (17-1) down to insert the **PLASTIC BUSHING (17)**.
- B Attach **SEAT (18)** to **SEAT POST (16)** using 3 **PRE-INSTALLED BOLTS**.
- C Attach the **RIGHT PEDAL (19R)** to the **RIGHT CRANK ARM (20R)**, tightening it **CLOCKWISE** using the flat wrench.
- D Attach the **LEFT PEDAL (19L)** to the **LEFT CRANK ARM (20L)**, tightening it **COUNTER-CLOCKWISE** using the flat wrench.

ASSEMBLY STEP 7



ASSEMBLY COMPLETE!

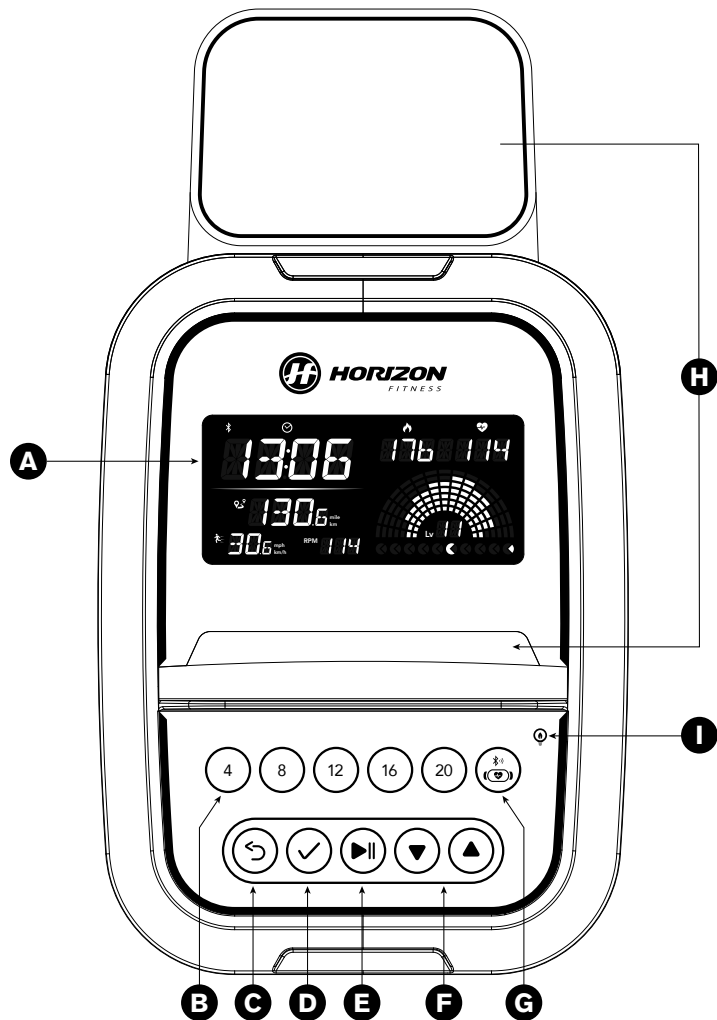
Max. User Weight: 130 kg / 286 lbs.

Overall Dimensions: 107 x 53 x 144 cm / 42" x 21" x 57"

EXERCISE BIKE OPERATION



This section explains how to use your exercise bike's console and programming.
For the BASIC OPERATION please see the EXERCISE BIKE GUIDE.



CONSOLE OPERATION

Note: There is a thin protective sheet of clear plastic on the overlay of the console that should be removed before use.

- A) **LCD DISPLAY WINDOW:** time, RPM, distance, calories, heart rate, speed, resistance level.
- B) **QUICK KEYS:** used to reach desired resistance quickly.
- C) **RETURN:** return to the last step.
- D) **ENTER:** used to confirm selection.
- E) **START / PAUSE HOLD TO RESET :** used to start workout, pause workout, and restart after pause.
- F) **▼▲ KEYS:** used to adjust resistance level and to cycle through selections during program set up.
- G) **BLUETOOTH HEART RATE OR TABLET:** bluetooth default to connect to tablet, press and hold 5 sec to connect to the Bluetooth heart rate strap. When paired with the chest strap the console will not pair with a tablet; to enable tablet communication press and hold the Bluetooth button for 5 seconds or reset power. The led will be lit when the console is paired with BT device.
*If using a 3rd party App, please turn on your device's Bluetooth (BT) and follow the App pairing instructions. Ensure the console is not connected to any other BT devices by checking that the BT symbol is not lit on the console.
- H) **TABLET/READING RACK:** holds reading material.
- I) **ENERGY SAVER MODE:** indicates if the machine is in energy saver mode.





DISPLAY WINDOW

- **TIME:** Shown as minutes : seconds. View the time remaining or the time elapsed in your workout.
- **DISTANCE:** Indicates distance traveled during your workout.
- **CALORIES:** Total calories burned or remaining for your workout.
- **SPEED:** Indicates how fast the foot pads is moving.
- **HEART RATE:** Shown as BPM (beats per minute). Used to monitor your heart rate (displayed when contact is made with both pulse grips or Bluetooth heart rate was connected).
- **BLUETOOTH:** Indicates the Bluetooth was connected to the machine.
- **RPM:** Indicates Revolutions Per Minute.
- **LEVEL:** Indicates the current resistance level.

GETTING STARTED

- 1) Check to make sure no objects are nearby that will hinder the movement of the exercise bike.
- 2) Plug in the power cord to power the exercise bike ON. (Switch is located at the bottom-front of the exercise bike.)
- 3) Set User Weight using ▼▲ and press ENTER.
- 4) You have the following options to start your workout:

A) QUICK START UP

Simply press ►|| to begin working out. Time, distance and calories will all count up from zero. The resistance level will default to level 1.

B) SELECT A PROGRAM

- 1) Use ▼▲ to scroll through programs
- 2) Press ✓ to select your desired program.
- 3) Set workout level using ▼▲ and press ✓.
- 4) Press ►|| to begin workout.

NOTE: You can adjust the resistance level during your workout.

FINISHING YOUR WORKOUT

When your workout is complete, the console will display "workout complete" and beep. Your workout information will stay displayed on the console for 60 seconds and then reset.

TO RESET THE CONSOLE

Hold ►|| key for 3 seconds.

TO CLEAR CURRENT SELECTION

To clear the current program selection or screen, hold the ►|| button for 3 seconds.

PROGRAM INFORMATION

- MANUAL:** Allows you to adjust the resistance level to your preference, without a preset program. Adjust your resistance manually during your workout. User sets time and resistance using (up/down arrow) and ENTER.
- INTERVALS:** Improves your strength, speed and endurance by raising and lowering the resistance levels through-out your workout to involve both your heart and muscles. Time based program with 12 levels to choose from.

	INTERVALS																					
	Warm Up				Program Segments-Repeat												Cool Down					
Seconds	60	60	60	60	30	60	60	30	30	60	30	60	60	30	30	60	60	30	60	60	60	60
Sement	1	2	3	4	5	6	7	8	9	10	11	12	13	14	15	16	17	18	19	20		
Level 1	1	2	2	3	5	1	1	5	5	1	5	1	1	5	5	1	3	2	2	2	1	
Level 2	1	2	2	3	6	2	2	6	6	2	6	2	2	6	6	2	3	2	2	2	1	
Level 3	1	2	2	4	7	3	3	7	7	3	7	3	3	7	7	3	4	2	2	2	1	
Level 4	1	2	2	5	8	4	4	8	8	4	8	4	4	8	8	4	5	2	2	2	1	
Level 5	2	3	5	6	9	5	5	9	9	5	9	5	5	9	9	5	6	5	3	2		
Level 6	2	3	5	7	10	6	6	10	10	6	10	6	6	10	10	6	7	5	3	2		
Level 7	2	3	5	8	11	7	7	11	11	7	11	7	7	11	11	7	8	5	3	2		
Level 8	2	3	5	9	12	8	8	12	12	8	12	8	8	12	12	8	9	5	3	2		
Level 9	3	4	5	10	13	9	9	13	13	9	13	9	9	13	13	9	10	5	4	3		
Level 10	3	4	8	11	14	10	10	14	14	10	14	10	10	14	14	10	11	8	4	3		
Level 11	3	6	10	12	15	11	11	15	15	11	15	11	11	15	15	11	12	10	6	3		
Level 12	3	6	10	13	16	12	12	16	16	12	16	12	12	16	16	12	13	10	6	3		

- WEIGHT LOSS:** Promote weight loss by raising and lowering the resistance level, while keeping you in your fat burning zone. Time based program with 12 levels to choose from. User sets time and level using (up/down arrows) and ENTER. Please drink enough water while and after doing exercise to enhance the weight loss results.

	WEIGHT LOSS																					
	Warm Up				Program Segments-Repeat												Cool Down					
Seconds	60	60	60	60	60	60	60	60	60	60	60	60	60	60	60	60	60	60	60	60	60	60
Sement	1	2	3	4	5	6	7	8	9	10	11	12	13	14	15	16	17	18	19	20		
Level 1	1	2	2	3	3	3	3	4	4	5	5	5	4	4	3	3	3	2	2	2	1	
Level 2	1	2	2	3	4	4	5	5	6	6	6	6	5	5	4	4	3	2	2	2	1	
Level 3	1	2	2	4	5	5	6	6	7	7	7	7	6	6	5	5	4	2	2	2	1	
Level 4	1	2	2	5	6	6	7	7	8	8	8	8	7	7	6	6	5	2	2	2	1	
Level 5	2	3	5	6	7	7	8	8	9	9	9	9	8	8	7	7	6	5	3	2		
Level 6	2	3	5	7	8	8	9	9	10	10	10	10	9	9	8	8	7	5	3	2		
Level 7	2	3	5	8	9	9	10	10	11	11	11	11	10	10	9	9	8	5	3	2		
Level 8	2	3	5	9	10	10	11	11	12	12	12	12	11	11	10	10	9	5	3	2		
Level 9	3	4	5	10	11	11	12	12	13	13	13	13	12	12	11	11	10	5	4	3		
Level 10	3	4	8	11	12	12	13	13	14	14	14	14	13	13	12	12	11	8	4	3		
Level 11	3	6	10	12	13	13	14	14	15	15	15	15	14	14	13	13	12	10	6	3		
Level 12	3	6	10	13	14	14	15	15	16	16	16	16	15	15	14	14	13	10	6	3		

- ROLLING:** Maintains weight by gradually raising and lowering the resistance level to gradually raise and lower your heart rate.

	ROLLING																	
	Warm Up				Program Segments-Repeat								Cool Down					
Seconds	60	60	60	60	30	30	30	30	30	30	30	30	30	30	60	60	60	60
Sement	1	2	3	4	5	6	7	8	9	10	11	12	13	14	15	16	17	18
Level 1	1	1	2	2	2	1	2	3	4	3	2	1	2	3	2	1	1	1
Level 2	1	2	2	3	3	2	3	4	5	4	3	2	1	2	3	2	1	1
Level 3	2	2	3	3	3	3	4	5	6	7	8	7	6	5	4	2	1	1
Level 4	2	3	3	4	4	4	5	6	7	8	9	8	7	6	5	3	1	1
Level 5	3	4	4	4	5	6	7	8	9	10	9	8	7	6	3	3	2	1
Level 6	3	5	4	5	6	7	8	9	10	10	10	9	8	7	4	3	2	1
Level 7	4	5	5	5	7	7	8	9	10	10	10	9	8	7	4	3	2	1
Level 8	4	5	5	5	8	8	9	9	10	10	10	11	10	9	4	3	2	1
Level 9	4	5	5	5	9	9	10	10	11	11	11	12	11	10	5	4	3	1
Level 10	4	5	6	6	10	10	11	11	12	12	12	13	12	11	6	5	4	1
Level 11	4	5	7	7	11	11	12	12	13	13	14	14	13	12	6	5	4	1
Level 12	4	5	8	8	12	12	13	13	14	14	15	15	14	13	7	6	5	1
Level 13	4	5	9	9	13	13	14	14	15	15	16	16	15	14	7	6	5	1
Level 14	4	5	9	9	14	14	15	15	16	16	17	17	16	15	8	7	6	1

- 5) **CADENCE:** Special designed chart based program that will simulate resistance being changed randomly.

CADENCE																				
Seconds	Warm Up				Program Segments-Repeat										Cool Down					
	60	60	60	60	90	45	90	30	45	90	30	45	90	30	45	90	60	60	60	
Sement	1	2	3	4	5	6	7	8	9	10	11	12	13	14	15	16	17	18	19	20
Level 1	2	1	1	2	3	2	3	1	2	3	1	2	3	1	2	3	2	1	1	1
Level 2	1	1	1	2	4	3	4	2	3	4	2	3	4	2	3	4	2	1	1	1
Level 3	1	1	1	2	5	4	5	3	4	5	3	4	5	3	4	5	2	1	1	1
Level 4	1	1	1	3	6	5	6	4	5	6	4	5	6	4	5	6	3	1	1	1
Level 5	1	2	3	3	7	6	7	5	6	7	5	6	7	5	6	7	3	3	2	1
Level 6	1	2	3	4	8	7	8	6	7	8	6	7	8	6	7	8	4	3	2	1
Level 7	1	2	3	4	9	8	9	7	8	9	7	8	9	7	8	9	4	3	2	1
Level 8	1	2	3	5	10	9	10	8	9	10	8	9	10	8	9	10	5	3	2	1
Level 9	1	1	1	2	11	10	11	9	10	11	9	10	11	9	10	11	2	1	1	1
Level 10	1	1	1	2	12	11	12	10	11	12	10	11	12	10	11	12	2	1	1	1
Level 11	2	2	2	3	13	12	13	11	12	13	11	12	13	11	12	13	2	1	1	1
Level 12	3	3	3	4	14	13	14	12	13	14	12	13	14	12	13	14	3	1	1	1
Level 13	3	4	4	5	15	14	15	13	14	15	13	14	15	13	14	15	3	3	2	1
Level 14	3	4	5	6	16	15	16	14	15	16	14	15	16	14	15	16	4	3	2	1

- 6) **DISTANCE GOAL:** Resistance changes and all segments every 0.16 km and repeat (warm up does not repeat).

DISTANCE GOAL															
DISTANCE	Warm Up				Program Segments-Repeat										
	0.16 km	0.16 km	0.16 km	0.16 km	0.16 km	0.16 km	0.16 km	0.16 km	0.16 km	0.16 km	0.16 km	0.16 km	0.16 km	0.16 km	0.16 km
Sement	1	2	3	4	5	6	7	8	9	10	11	12	13	14	
Level 1	1	1	1	1	1	1	1	1	1	1	1	1	1	1	
Level 2	1	2	2	3	3	5	7	4	6	7	4	5	6	3	
Level 3	2	2	3	3	4	6	8	5	7	8	5	6	7	4	
Level 4	2	3	3	4	6	8	10	7	9	10	7	8	9	6	
Level 5	3	4	4	4	8	10	12	9	11	12	9	10	11	8	
Level 6	3	5	4	4	5	10	12	14	11	13	14	11	12	10	
Level 7	4	5	5	5	11	13	15	12	14	15	12	13	14	11	
Level 8	4	5	5	5	13	15	17	14	16	17	14	15	16	13	
Level 9	4	5	5	5	15	17	19	16	18	19	16	17	18	15	
Level 10	4	5	6	6	16	18	20	17	19	20	17	18	19	16	

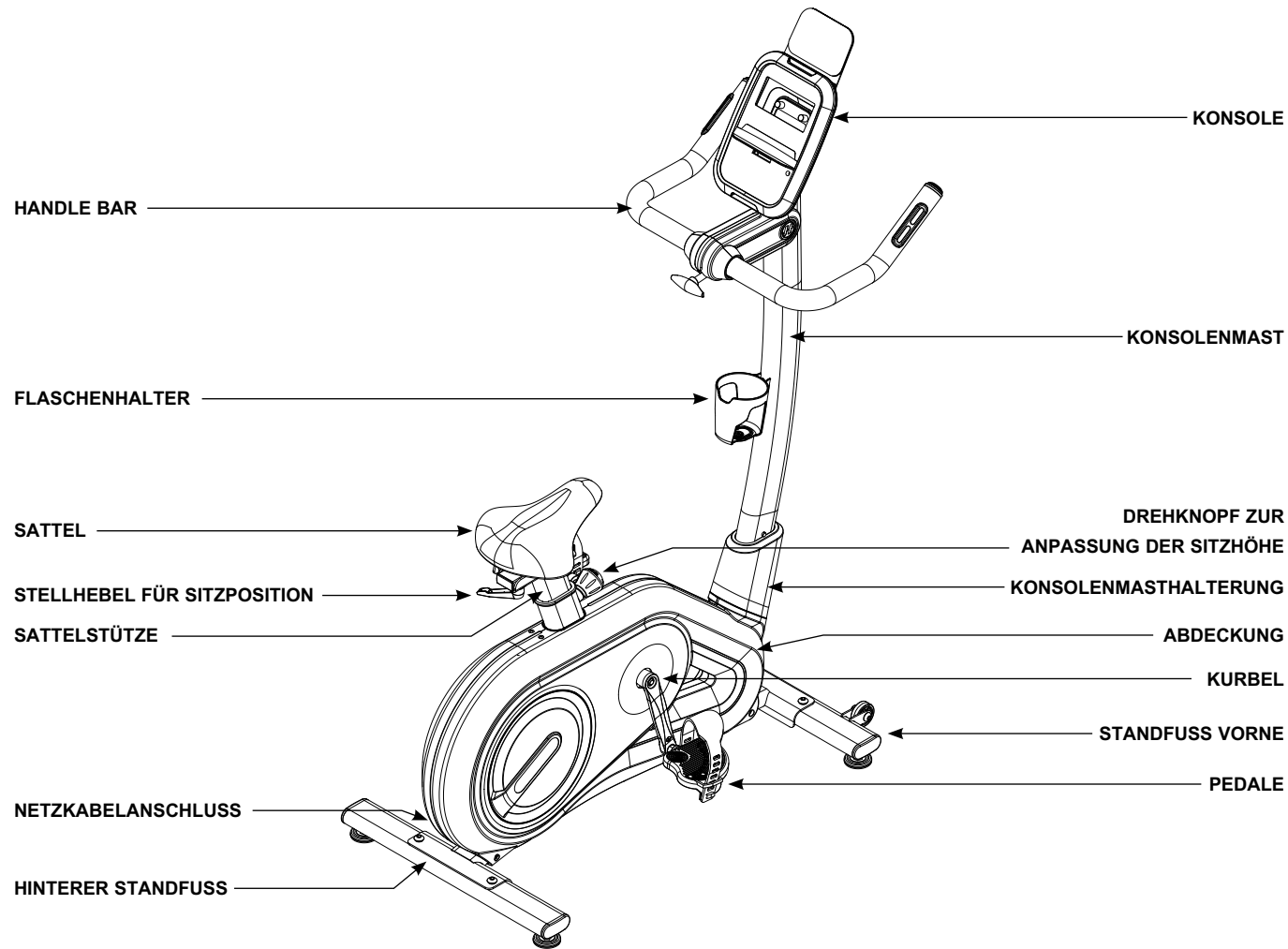
- 7) **CALORIES GOAL:** Resistance changes and all segments every 20 calories and repeat (warm up does not repeat).

CALORIES GOAL														
CALORIES	Warm Up				Program Segments-Repeat									
	20 cal	20 cal	20 cal	20 cal	20 cal	20 cal	20 cal	20 cal	20 cal	20 cal	20 cal	20 cal	20 cal	
Sement	1	2	3	4	5	6	7	8	9	10	11	12	13	14
Level 1	1	1	1	1	1	1	1	1	1	1	1	1	1	1
Level 2	1	2	2	3	3	5	7	4	6	7	4	5	6	3
Level 3	2	2	3	3	4	6	8	5	7	8	5	6	7	4
Level 4	2	3	3	4	6	8	10	7	9	10	7	8	9	6
Level 5	3	4	4	4	8	10	12	9	11	12	9	10	11	8
Level 6	3	5	4	5	10	12	14	11	13	14	11	12	13	10
Level 7	4	5	5	5	11	13	15	12	14	15	12	13	14	11
Level 8	4	5	5	5	13	15	17	14	16	17	14	15	16	13
Level 9	4	5	5	5	15	17	19	16	18	19	16	17	18	15
Level 10	4	5	6	6	16	18	20	17	19	20	17	18	19	16

- 8) **CHALLENGE:** During this work out, record as a record based on the value of the distance goal program. Compare the speed between the sport and record per 0.16 km. For example, the speed of the first 0.16 km of the record is 10, when the distance of the first 0.16 km of this sport is 11. In the second 0.16 km, the motion icon of sport will advance two grids, the record will only advance one, simply put, faster, two grids forward, slower, only one grid forward.

- 9) **THR ZONE:** Simulate the intensity of your sport as the program resistance automatically adjust to maintain a set Target Heart Rate range. (Suggest to use bluetooth chest belt with this program. You may purchase chest belt separately from your dealer).

RESISTANCE ADJUST		
Heart Rate	Resistance Function	Resistance Adjust
20+ under target	Increase every 10 seconds	1
6-19 under target	Increase every 35 seconds	1
+/- 5 of target	No Change	0
6-10 over target	Decrease every 35 seconds	1
11-19 over target	Decrease every 10 seconds	1
20-24 over target	Decrease every 10 seconds	Half of current
25+ over target	Console reset	N/A reset



IM LIEFERUMFANG ENTHALTENE WERKZEUGE:

- 5 mm L-Schraubenschlüssel
- 6 mm L-Schraubenschlüssel
- 13/15 mm Gabelschlüssel
- Schraubenzieher

IM LIEFERUMFANG ENTHALTENE TEILE:

- 1 Hauptrahmen
- 1 Standfuß vorne
- 1 Standfuß hinten
- 1 Konsole
- 1 Konsolenmast
- 1 Konsolenmasthalterung
- 1 Lenkstange
- 1 Lenkstangenabdeckung links & rechts & vorne
- 1 Sitz
- 1 Sattelstange
- 2 Pedale mit Riemen
- 1 T-Knopf
- 1 Lesehalterung
- 1 Flaschenhalter
- 1 Netzkabel
- 1 Hardwarebeutel

VOR DEM AUFBAU

AUSPACKEN

Packen Sie das Produkt an der Stelle aus, an der Sie es aufstellen möchten. Stellen Sie den Karton mit dem Ergometer auf eine ebene Fläche. Es empfiehlt sich, den Boden mit einer Schutzfolie auszulegen. Öffnen Sie den Karton nicht, wenn er auf der Seite liegt.

⚠️ WARNUNG

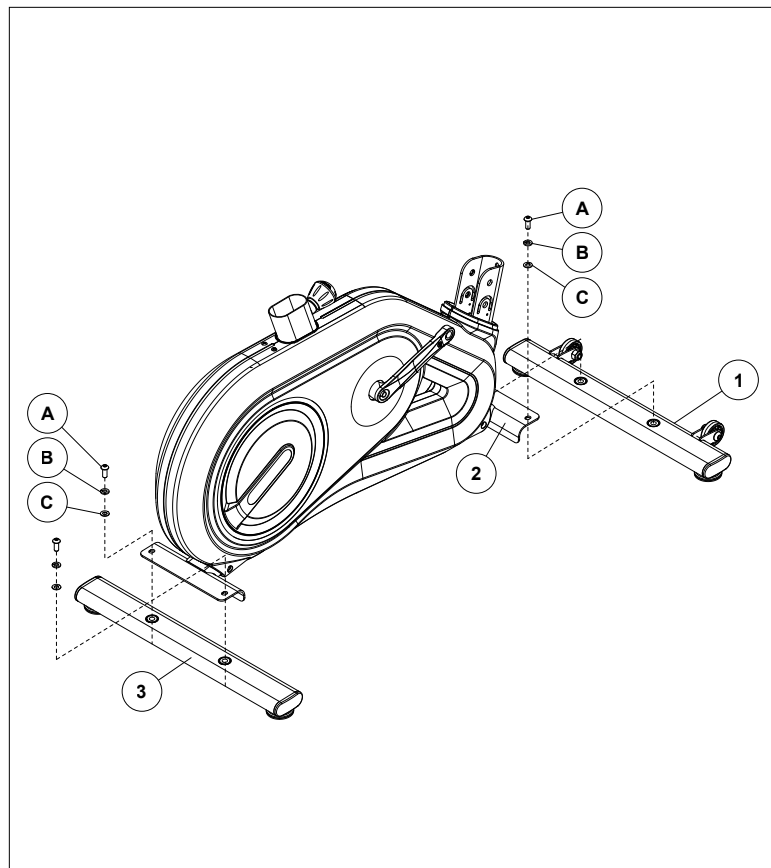
- Es wird empfohlen, dass zwei Personen zusammen arbeiten, um die Montage des Ergometers zu erleichtern und effizient zu gestalten.
- Stellen Sie bei jedem Aufbauschnitt sicher, dass ALLE Schrauben und Muttern eingesetzt sind und ein Gewinde besitzen. Es wird empfohlen, den kompletten Aufbau des Geräts abzuschließen, bevor Sie irgendeine Schraube festziehen.
- Einige Komponenten wurden für einen leichteren Aufbau und Gebrauch werksseitig vorgefettet. Entfernen Sie das Fett bitte nicht. Sollten Schwierigkeiten auftreten, empfiehlt sich die Anwendung von etwas Lithium-Fahrradfett.

📞 BENÖTIGEN SIE UNTERSTÜTZUNG?

Falls Sie Fragen haben oder Teile fehlen, beachten Sie den Sicherheitsaufkleber auf dem Produkt, um den technischen Kundendienst zu kontaktieren.

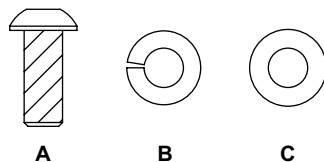


AUFBAUSCHRITT 1



HARDWARE FÜR SCHRITT 1			
EINZELTEILE	TYP	BESCHREIBUNG	MENGE
A	SCHRAUBE	M8	4
B	FEDERSCHEIBE	Ø8.0	4
C	UNTERLEGSCHIEBE	Ø8.0	4

- A Öffnen Sie die **HARDWARE**.
- B Befestigen Sie den **VORDEREN STANDFUSS (1)** am **HAUPTRAHMEN (2)** mit 2 **SCHRAUBEN (A)** & 4 **UNTERLEGSCHIEBEN (B&C)**.
- C Befestigen Sie den **HINTEREN STANDFUSS (3)** am **HAUPTRAHMEN (2)** mit 2 **SCHRAUBEN (A)** & 4 **UNTERLEGSCHIEBEN (B&C)**.



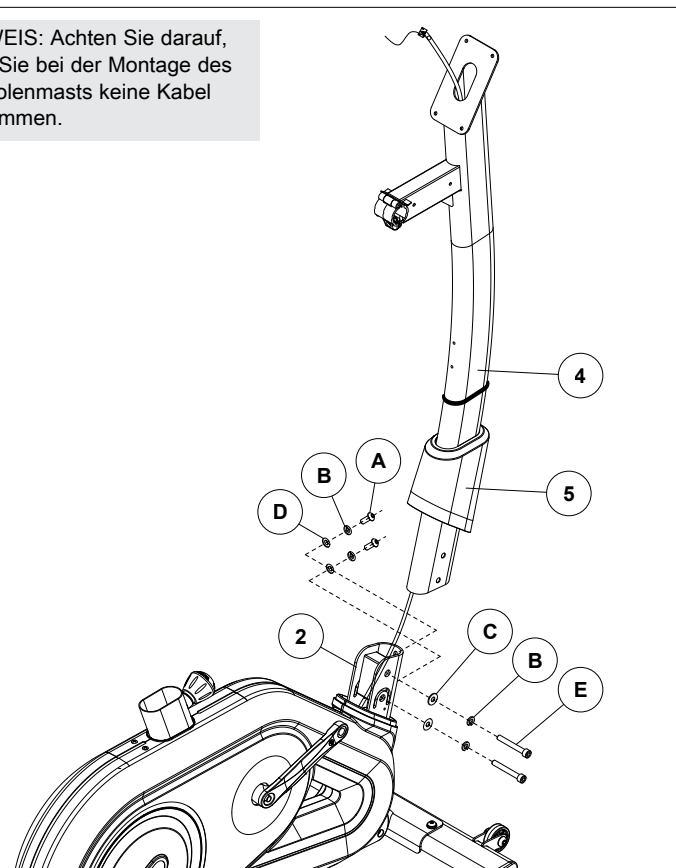
A

B

C

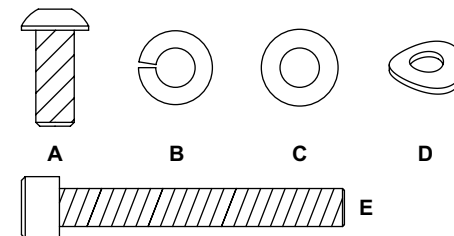
AUFBAUSCHRITT 2

HINWEIS: Achten Sie darauf, dass Sie bei der Montage des Konsolenmasts keine Kabel abklemmen.



HARDWARE FÜR SCHRITT 2			
EINZELTEILE	TYP	BESCHREIBUNG	MENGE
A	SCHRAUBE	M8	2
B	FEDERSCHEIBE	Ø8.0	4
C	UNTERLEGSCHIEBE	Ø8.0	2
D	UNTERLEGSCHIEBE (GEBOGEN)	Ø8.0	2
E	SCHRAUBE	M8	2

- A Schieben Sie die **KONSOLENMASTHALTERUNG (5)** von unten nach oben auf den **KONSOLENMAST (4)**.
- B Befestigen Sie den **FÜHRUNGSDRAHT** am unteren Ende des **KONSOLENKABELS**. Ziehen Sie den **FÜHRUNGSDRAHT** durch den **KONSOLENMAST (4)**. Nachdem Sie den Führungsdraht durch den Mast gezogen haben, sollte sich das obere Ende des **KONSOLENKABELS** am oberen Ende des Masts befinden.
- C Schieben Sie den **KONSOLENMAST (4)** in den **HAUPTRAHMEN (2)** mit 2 **SCHRAUBEN (A)**, 4 **UNTERLEGSCHIEBEN (B&D)** von der Seite und 2 **SCHRAUBEN (E)**, 4 **UNTERLEGSCHIEBEN (B&C)** von vorne.
- D Schieben Sie die **KONSOLENMASTHALTERUNG (5)** nach unten über den **HAUPTRAHMEN (2)**.



A

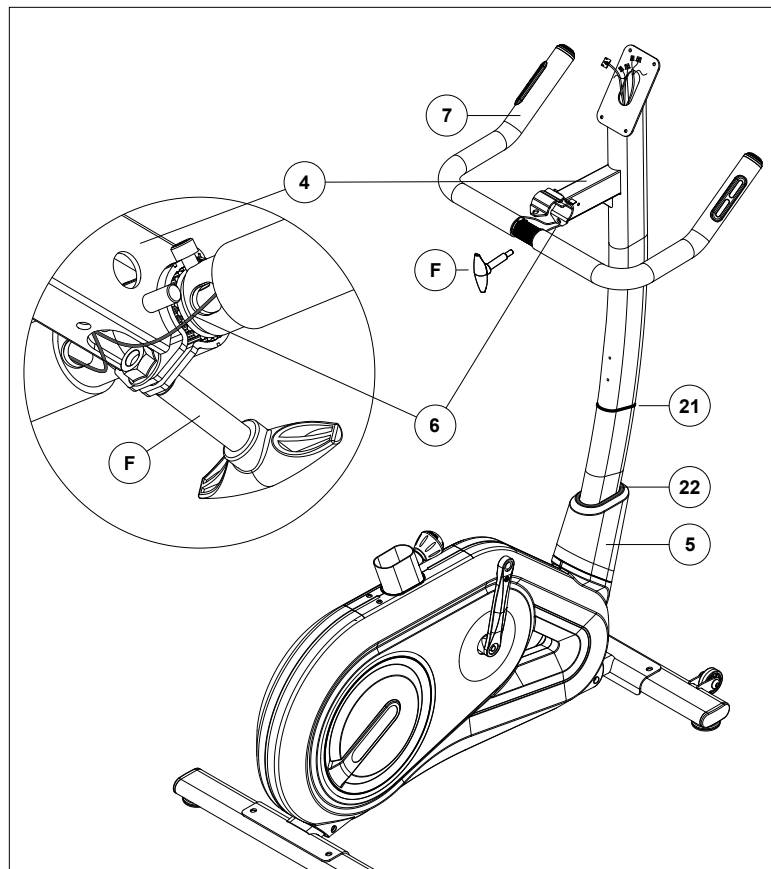
B

C

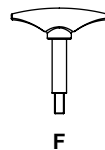
D

E

AUFBAUSCHRITT 3

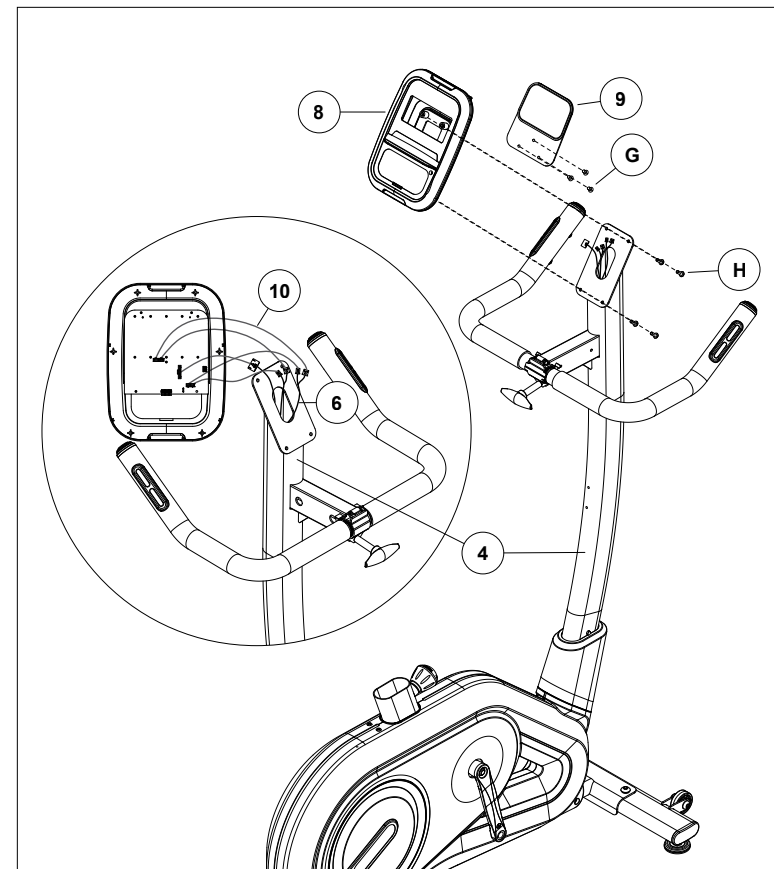


- A Schieben Sie den **O-RING (21)** nach unten an die Position **(22)**, um die **KONSOLEMASTHALTERUNG (5)** zu sichern.
- B Befestigen Sie den **FÜHRUNGSDRAHT** und schieben Sie die **KABEL DER LENKSTANGE (6)** durch die Öffnung im **KONSOLEMAST (4)** und oben aus dem **KONSOLEMAST (4)** heraus.
- C Befestigen Sie die **LENKSTANGE (7)** am **KONSOLEMAST (4)** unter Verwendung von 1 **T-KNOPF (F)**.



F

AUFBAUSCHRITT 4



HARDWARE FÜR SCHRITT 4			
EINZELTEILE	TYP	BESCHREIBUNG	MENGE
G	SCHRAUBE	M6	3
H	SCHRAUBE	M5	4

- A Befestigen Sie die **KONSOLE (8)** an der **LESEHALTERUNG (9)** mit 3 **SCHRAUBEN (G)**.
- B Verbinden Sie die **KONSOLEKABEL (10)** mit den **KABELN DER LENKSTANGE (6)**. Schieben Sie die **KONSOLEKABEL (10)** und die **KABEL DER LENKSTANGE (6)** vorsichtig in den **KONSOLEMAST (4)**.
- C Befestigen Sie die **KONSOLE (8)** am **KONSOLEMAST (4)** mit 4 **SCHRAUBEN (H)**.

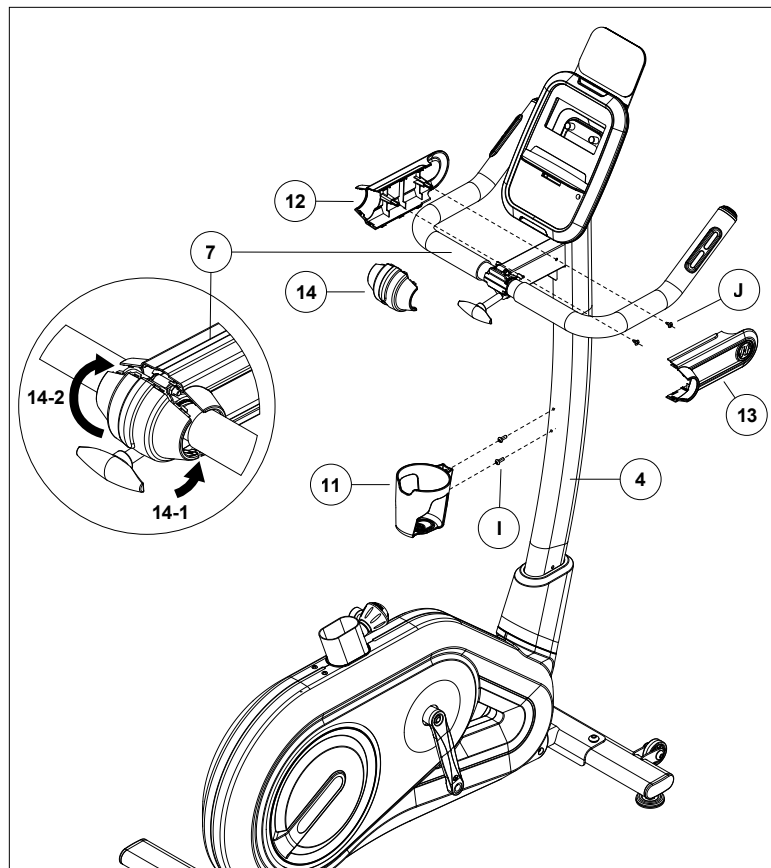


G



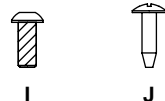
H

AUFBAUSCHRITT 5

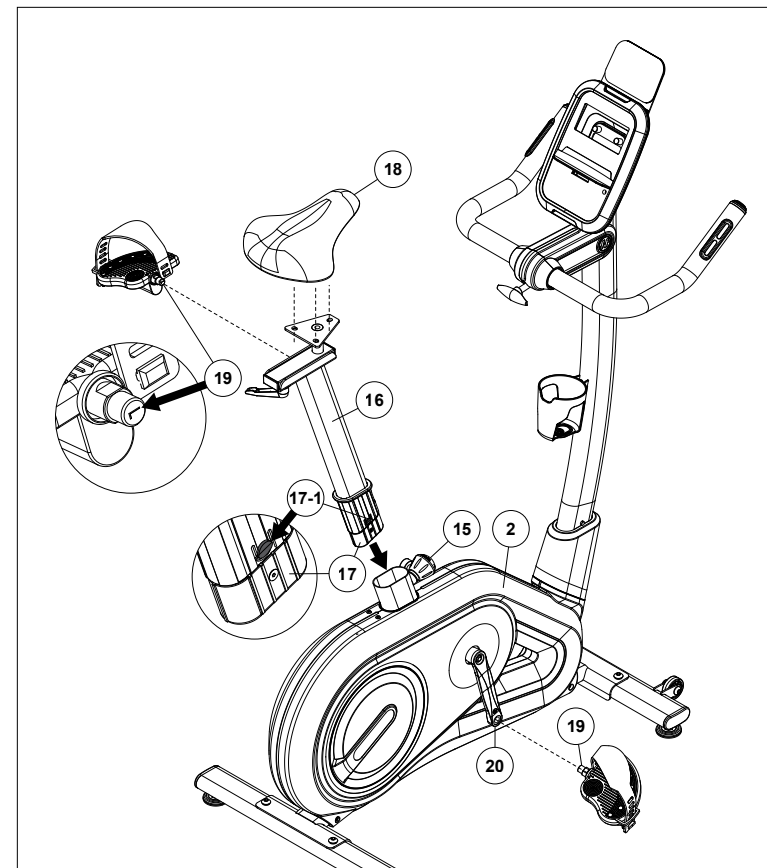


HARDWARE FÜR SCHRITT 5			
EINZELTEILE	TYP	BESCHREIBUNG	MENGE
I	SCHRAUBE	M5	2
J	SCHRAUBE	Ø4	2

- A Befestigen Sie den **FLASCHENHALTER (11)** am **KONSOLENMAST (4)** mit 2 **SCHRAUBEN (I)**.
- B Befestigen Sie die **LINKE LENKSTANGENABDECKUNG (12)** an der **LENKSTANGE (7)** mit Hilfe von 2 **SCHRAUBEN (J)**.
- C Klicken Sie die **RECHTE LENKSTANGENABDECKUNG (13)** auf die **LENKSTANGE (7)**, wobei Sie zuerst die Unterseite befestigen und dann zur Sicherung auf die Oberseite drücken.
- D Befestigen Sie dann die **VORDERE LENKSTANGENABDECKUNG (14)** an der **LENKSTANGE (7)**, indem Sie die gleiche Methode verwenden.



AUFBAUSCHRITT 6



- A Ziehen Sie den **DREHKNOPF ZUR ANPASSUNG DER SITZHÖHE (15)** nach außen und schieben Sie gleichzeitig die **SATTELSTÜTZE (16)** in den **HAUPTTRAHMEN (2)**. Drücken Sie **(17-1)** nach unten, um die **KUNSTSTOFFBUCHSE (17)** einzusetzen.
- B Befestigen Sie den **SITZ (18)** an der **SATTELSTÜTZE (16)** mit 3 **VORINSTALLIERTEN SCHRAUBEN**.
- C Befestigen Sie das **RECHTE PEDAL (19R)** am **RECHTEN PEDALARM (20R)**, und ziehen Sie es **IM UHRZEIGERSINN** mit dem beigefügten Gabelschlüssel fest.
- D Befestigen Sie das **LINKE PEDAL (19L)** am **LINKEN PEDALARM (20L)**, und ziehen Sie es **ENTGEGEN DEM UHRZEIGERSINN** mit dem beigefügten Gabelschlüssel fest.

AUFBAUSCHRITT 7



AUFBAU ABGESCHLOSSEN!

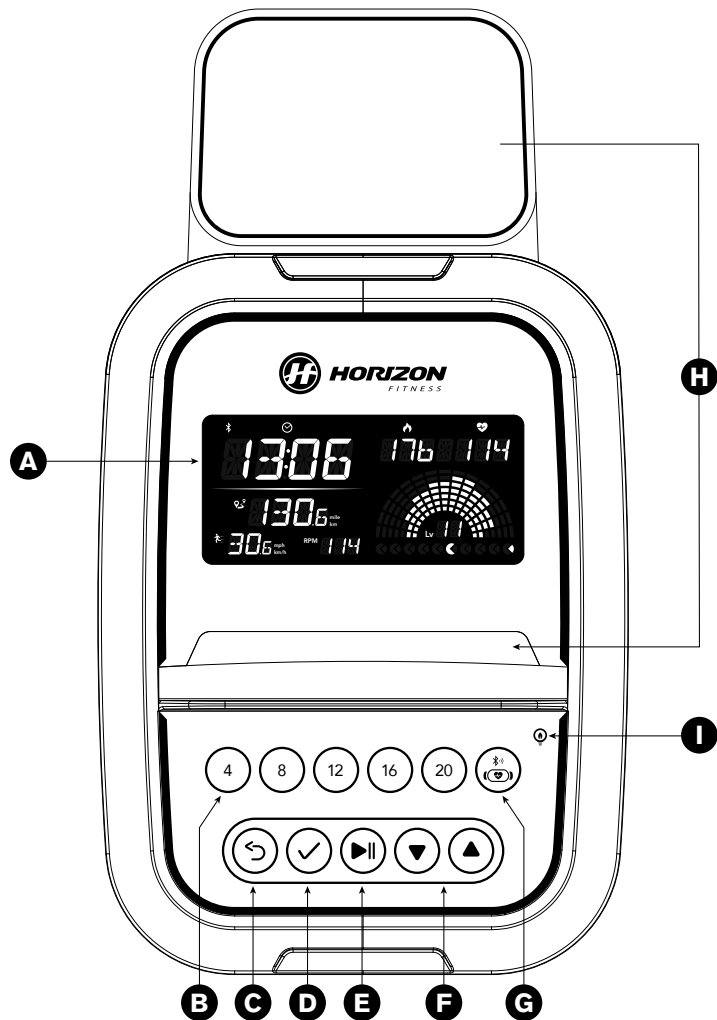
Max. Nutzergewicht: 130 kg

Gesamtabmessungen: 107 x 53 x 144 cm

BETRIEB DES TRAININGSFAHRRADS

In diesem Abschnitt werden die Konsole und die Programme des Trainingsfahrrads beschrieben.
Informationen zum BASISBETRIEB finden Sie im HANDBUCH ZUM TRAININGSFAHRRAD.





BEDIENUNG DER KONSOLE

Hinweis: Die Konsolenoberfläche ist mit einer dünnen, transparenten Schutzfolie überzogen; bitte entfernen Sie diese Folie vor dem Gebrauch.

- A) **LCD-ANZEIGEFENSTER:** Zeit, U/min, Strecke, Kalorien, Herzfrequenz, Geschwindigkeit, Widerstand.
- B) **KURZTASTEN:** Schnelles Erreichen des gewünschten Widerstands.
- C) **ZURÜCK (RETURN):** Zurück zum letzten Schritt.
- D) **INGABE (ENTER):** Auswahl bestätigen.
- E) **START / PAUSE GEDRÜCKT HALTEN:** Training starten, pausieren und nach der Pause fortsetzen.
- F) **▼ ▲ TASTEN:** Einstellung des Widerstandslevels und zum Blättern durch die Optionen bei der Programmeinrichtung.
- G) **BLUETOOTH-HERZFREQUENZ:** Halten Sie diese Taste 3 Sekunden lang gedrückt, um eine Verbindung mit dem Bluetooth-Herzfrequenzgurt herzustellen. (APP- und BT-Herzfrequenzgurt können jeweils nur einzeln verbunden werden).
- H) **TABLET-/LESEHALTERUNG:** Zum Aufstellen oder Lesematerial.
- I) **ENERGIESPARMODUS:** Zeigt an, ob sich das Gerät im Energiesparmodus befindet.





ANZEIGEFENSTER

- **ZEIT (TIME):** Wird in Minuten : Sekunden angezeigt. Zeigt die verbleibende Zeit oder die bisher absolvierte Trainingsdauer an.
- **STRECKE (DISTANCE):** Zeigt die bisher zurückgelegte Strecke oder die noch verbleibende Trainingsstrecke an.
- **KALORIEN (CALORIES):** Gesamtmenge verbrannter Kalorien bzw. noch zu verbrennender Kalorien im Training.
- **GESCHWINDIGKEIT (SPEED):** Gibt an, wie schnell sich das Laufband bewegt.
- **HERZFREQUENZ (SCHLÄGE PRO MINUTE):** Dargestellt in Herzschläge pro Minute bzw. BPM („beats per minute“). Dient der Kontrolle Ihrer Herzfrequenz (wird angezeigt, wenn beide Hände an den Pulsgriffen sind oder ein Herzfrequenzgurt per Bluetooth verbunden ist).
- **BLUETOOTH:** Gibt an, dass ein Bluetooth-Gerät eine Verbindung hergestellt hat.
- **DREHZAHL (U/PM):** Gibt die Umdrehungen pro Minute an.
- **STUFE (LEVEL):** Gibt die aktuelle Widerstandsstufe an.

ERSTE SCHRITTE

- 1) Stellen Sie sicher, dass sich keine Objekte in der Nähe befinden, die den Bewegungsraum des Ergometers behindern könnten.
- 2) Verbinden Sie das Stromkabel mit der Steckdose und schalten Sie den Ergometers EIN. (Der Schalter befindet sich an der unteren Vorderseite des Ergometers.)
- 3) Stellen Sie mit das Nutzergewicht ein und drücken Sie EINGABE.
- 4) Sie haben die folgenden Möglichkeiten, mit dem Training zu beginnen:

A) SCHNELLSTART

Drücken Sie , um mit dem Training zu beginnen. Zeit, Strecke und Kalorien beginnen alle bei Null. Der Widerstand ist standardmäßig auf Stufe 1 eingestellt.

B) PROGRAMMAUSWAHL

- 1) Verwenden Sie , um durch die Programme zu blättern.
- 2) Drücken Sie , um das gewünschte Programm auszuwählen.
- 3) Stellen Sie mit die gewünschte Trainingsstufe ein und drücken Sie .
- 4) Drücken Sie , um mit dem Training zu beginnen.

HINWEIS: Sie können während des Trainings den Widerstand anpassen.

BEENDEN DES TRAININGS

Wenn Sie Ihr Training abgeschlossen haben, zeigt die Konsole „Training abgeschlossen“ (Workout Complete) an und gibt einen Piepton aus. Ihre Trainingsinformationen werden noch 60 Sekunden lang auf der Konsole angezeigt und dann zurückgesetzt.

SO SETZEN SIE DIE KONSOLE ZURÜCK

Halten Sie die Taste 3 Sekunden lang gedrückt.

AKTUELLE AUSWAHL ZURÜCKSETZEN

Um die aktuelle Programmauswahl oder den aktuellen Bildschirm zurückzusetzen, halten Sie die Taste drei Sekunden lang gedrückt.

PROGRAMMINFORMATIONEN

- 1) MANUELL (MANUAL):** Erlaubt Ihnen die individuelle Einstellung des Widerstands ohne ein voreingestelltes Programm. Sie stellen den Widerstand während des Trainings manuell ein. Zeit und Widerstand werden mit den UP-/DOWN-Tasten und EINGABE eingestellt.
- 2) INTERVALLE:** Verbessert Ihre Kraft, Geschwindigkeit und Ausdauer, indem der Widerstand während des gesamten Trainings erhöht und gesenkt wird, um sowohl Ihr Herz als auch Ihre Muskeln zu trainieren. Zeitbasiertes Programm mit 12 auswählbaren Stufen.

INTERVALLE																				
	Aufwärmen				Programmsegmente – Wiederholen												Abwärmen			
Sekunden	60	60	60	60	30	60	60	30	30	60	30	60	60	30	30	60	60	60	60	60
Segment	1	2	3	4	5	6	7	8	9	10	11	12	13	14	15	16	17	18	19	20
Stufe 1	1	2	2	3	5	1	1	5	5	1	5	1	1	5	5	1	3	2	2	1
Stufe 2	1	2	2	3	6	2	2	6	6	2	6	2	2	6	6	2	3	2	2	1
Stufe 3	1	2	2	4	7	3	3	7	7	3	7	3	3	7	7	3	4	2	2	1
Stufe 4	1	2	2	5	8	4	4	8	8	4	8	4	4	8	8	4	5	2	2	1
Stufe 5	2	3	5	6	9	5	5	9	9	5	9	5	5	9	9	5	6	5	3	2
Stufe 6	2	3	5	7	10	6	6	10	10	6	10	6	6	10	10	6	7	5	3	2
Stufe 7	2	3	5	8	11	7	7	11	11	7	11	7	7	11	11	7	8	5	3	2
Stufe 8	2	3	5	9	12	8	8	12	12	8	12	8	8	12	12	8	9	5	3	2
Stufe 9	3	4	5	10	13	9	9	13	13	9	13	9	9	13	13	9	10	5	4	3
Stufe 10	3	4	8	11	14	10	10	14	14	10	14	10	10	14	14	10	11	8	4	3
Level 11	3	6	10	12	15	11	11	15	15	11	15	11	11	15	15	11	12	10	6	3
Level 12	3	6	10	13	16	12	12	16	16	12	16	12	12	16	16	12	13	10	6	3

- 3) GEWICHTSABNAHME:** Fördern Sie die Gewichtsabnahme, indem Sie den Widerstand erhöhen oder verringern, während Sie im Trainingsbereich der Fettverbrennung verbleiben. Zeitbasiertes Programm mit 12 auswählbaren Stufen. Zeit und Widerstand werden mit den UP-/DOWN-Tasten und der EINGABETASTE eingestellt. Trinken Sie während und nach dem Training genügend Wasser, um die Ergebnisse der Gewichtsabnahme zu verbessern.

GEWICHTSABNAHME																				
	Aufwärmen				Programmsegmente – Wiederholen												Abwärmen			
Sekunden	60	60	60	60	60	60	60	60	60	60	60	60	60	60	60	60	60	60	60	60
Segment	1	2	3	4	5	6	7	8	9	10	11	12	13	14	15	16	17	18	19	20
Stufe 1	1	2	2	3	3	3	4	4	5	5	5	5	4	4	3	3	3	2	2	1
Stufe 2	1	2	2	3	4	4	5	5	6	6	6	6	5	5	4	4	3	2	2	1
Stufe 3	1	2	2	4	5	5	6	6	7	7	7	7	6	6	5	5	4	2	2	1
Stufe 4	1	2	2	5	6	6	7	7	8	8	8	8	7	7	6	6	5	2	2	1
Stufe 5	2	3	5	6	7	7	8	8	9	9	9	9	8	8	7	7	6	5	3	2
Stufe 6	2	3	5	7	8	8	9	9	10	10	10	10	9	9	8	8	7	5	3	2
Stufe 7	2	3	5	8	9	9	10	10	11	11	11	11	10	10	9	9	8	5	3	2
Stufe 8	2	3	5	9	10	10	11	11	12	12	12	12	11	11	10	10	9	5	3	2
Stufe 9	3	4	5	10	11	11	12	12	13	13	13	13	12	12	11	11	10	5	4	3
Stufe 10	3	4	8	11	12	12	13	13	14	14	14	14	13	13	12	12	11	8	4	3
Level 11	3	6	10	12	13	13	14	14	15	15	15	15	14	14	13	13	12	10	6	3
Level 12	3	6	10	13	14	14	15	15	16	16	16	16	15	15	14	14	13	10	6	3

- 4) AUSDAUER:** Hält das Gewicht durch schrittweises Anheben und Senken des Widerstands aufrecht, um Ihre Herzfrequenz allmählich zu erhöhen und zu senken.

AUSDAUER																					
	Aufwärmen				Programmsegmente – Wiederholen												Abwärmen				
Sekunden	60	60	60	60	30	30	30	30	30	30	30	30	30	30	30	30	30	60	60	60	60
Segment	1	2	3	4	5	6	7	8	9	10	11	12	13	14	15	16	17	18	19	20	
Stufe 1	1	1	2	2	1	2	3	4	3	2	1	2	3	2	1	1	1	1	1	1	
Stufe 2	1	2	2	3	2	3	4	5	4	3	2	1	2	3	2	1	1	1	1	1	
Stufe 3	2	2	3	3	3	4	5	6	7	8	7	6	5	4	2	1	1	1	1	1	
Stufe 4	2	3	3	4	4	5	6	7	8	9	8	7	6	5	3	1	1	1	1	1	
Stufe 5	3	4	4	4	5	6	7	8	9	10	9	8	7	6	3	3	2	1	1	1	
Stufe 6	3	5	4	5	6	7	8	9	10	10	9	8	7	4	3	2	1	1	1	1	
Stufe 7	4	5	5	5	7	7	8	8	9	9	10	10	9	8	4	3	2	1	1	1	
Stufe 8	4	5	5	5	8	8	9	9	10	10	11	11	10	9	4	3	2	1	1	1	
Stufe 9	4	5	5	5	9	9	10	10	11	11	12	12	11	10	5	4	3	1	1	1	
Stufe 10	4	5	6	6	10	10	11	11	12	12	13	13	12	11	6	5	4	1	1	1	
Level 11	4	5	7	7	11	11	12	12	13	13	14	14	13	12	6	5	4	1	1	1	
Level 12	4	5	8	8	12	12	13	13	14	14	15	15	14	13	7	6	5	1	1	1	
Level 13	4	5	9	9	13	13	14	14	15	15	16	16	15	14	7	6	5	1	1	1	
Level 14	4	5	9	9	14	14	15	15	16	16	17	17	16	15	8	7	6	1	1	1	

- 5) **TRITTFREQUENZ (CADENCE):** Ein speziell entwickeltes, diagrammbasiertes Programm, das die zufällige Veränderung des Widerstands simuliert.

TRITTFREQUENZ																				
Sekunden	Aufwärmen				Programmsegmente – Wiederholen										Abwärmen					
	60	60	60	60	90	45	90	30	45	90	30	45	90	30	45	90	60	60	60	60
Segment	1	2	3	4	5	6	7	8	9	10	11	12	13	14	15	16	17	18	19	20
Stufe 1	2	1	1	2	3	2	3	1	2	3	1	2	3	1	2	3	2	1	1	1
Stufe 2	1	1	1	2	4	3	4	2	3	4	2	3	4	2	3	4	2	1	1	1
Stufe 3	1	1	1	2	5	4	5	3	4	5	3	4	5	3	4	5	2	1	1	1
Stufe 4	1	1	1	3	6	5	6	4	5	6	4	5	6	4	5	6	3	1	1	1
Stufe 5	1	2	3	3	7	6	7	5	6	7	5	6	7	5	6	7	3	3	2	1
Stufe 6	1	2	3	4	8	7	8	6	7	8	6	7	8	6	7	8	4	3	2	1
Stufe 7	1	2	3	4	9	8	9	7	8	9	7	8	9	7	8	9	4	3	2	1
Stufe 8	1	2	3	5	10	9	10	8	9	10	8	9	10	8	9	10	5	3	2	1
Stufe 9	1	1	1	2	11	10	11	9	10	11	9	10	11	9	10	11	2	1	1	1
Stufe 10	1	1	1	2	12	11	12	10	11	12	10	11	12	10	11	12	2	1	1	1
Stufe 11	2	2	2	3	13	12	13	11	12	13	11	12	13	11	12	13	2	1	1	1
Stufe 12	3	3	3	4	14	13	14	12	13	14	12	13	14	12	13	14	3	1	1	1
Stufe 13	3	4	4	5	15	14	15	13	14	15	13	14	15	13	14	15	3	3	2	1
Stufe 14	3	4	5	6	16	15	16	14	15	16	14	15	16	14	15	16	4	3	2	1

- 6) **STRECKE:** Widerstandswechsel, alle Segmente, alle 0,16 km und Wiederholung (Aufwärmen wird nicht wiederholt).

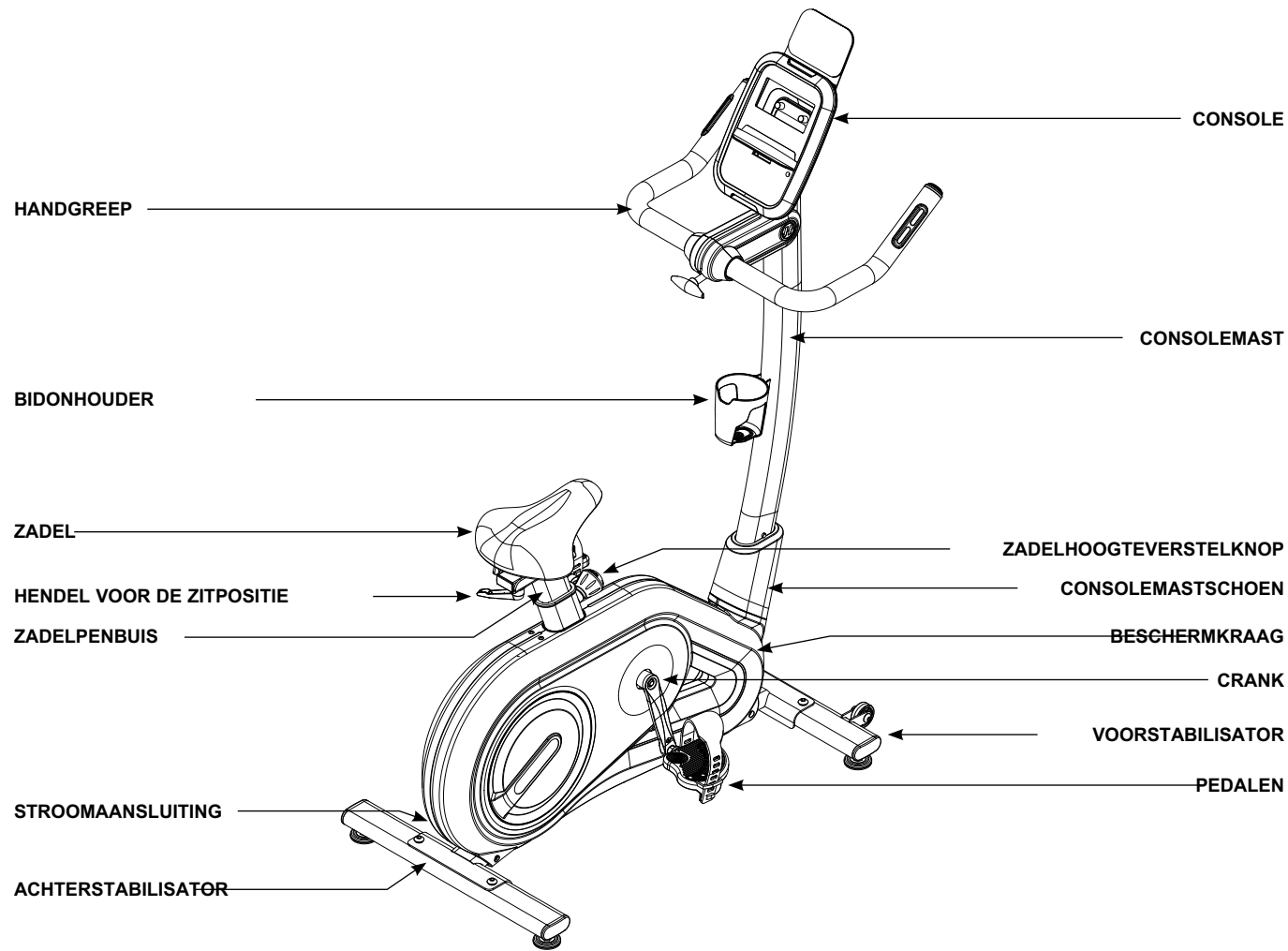
STRECKE														
STRECKE	Aufwärmen				Programmsegmente – Wiederholen									
	0,16 km	0,16 km	0,16 km	0,16 km	0,16 km	0,16 km	0,16 km	0,16 km	0,16 km	0,16 km	0,16 km	0,16 km	0,16 km	0,16 km
Segment	1	2	3	4	5	6	7	8	9	10	11	12	13	14
Stufe 1	1	1	1	1	1	1	1	1	1	1	1	1	1	1
Stufe 2	1	2	2	3	3	5	7	4	6	7	4	5	6	3
Stufe 3	2	2	3	3	4	6	8	5	7	8	5	6	7	4
Stufe 4	2	3	3	4	6	8	10	7	9	10	7	8	9	6
Stufe 5	3	4	4	4	8	10	12	9	11	12	9	10	11	8
Stufe 6	3	5	4	5	10	12	14	11	13	14	11	12	13	10
Stufe 7	4	5	5	5	11	13	15	12	14	15	12	13	14	11
Stufe 8	4	5	5	5	13	15	17	14	16	17	14	15	16	13
Stufe 9	4	5	5	5	15	17	19	16	18	19	16	17	18	15
Stufe 10	4	5	6	6	16	18	20	17	19	20	17	18	19	16

- 7) **KALORIEN:** Widerstandswechsel, alle Segmente, alle 20 Kalorien und Wiederholung (Aufwärmen wird nicht wiederholt).

KALORIEN														
KALORIEN	Aufwärmen				Programmsegmente – Wiederholen									
	20 kcal	20 kcal	20 kcal	20 kcal	20 kcal	20 kcal	20 kcal	20 kcal	20 kcal	20 kcal	20 kcal	20 kcal	20 kcal	
Segment	1	2	3	4	5	6	7	8	9	10	11	12	13	14
Stufe 1	1	1	1	1	1	1	1	1	1	1	1	1	1	1
Stufe 2	1	2	2	3	3	5	7	4	6	7	4	5	6	3
Stufe 3	2	2	3	3	4	6	8	5	7	8	5	6	7	4
Stufe 4	2	3	3	4	6	8	10	7	9	10	7	8	9	6
Stufe 5	3	4	4	4	8	10	12	9	11	12	9	10	11	8
Stufe 6	3	5	4	5	10	12	14	11	13	14	11	12	13	10
Stufe 7	4	5	5	5	11	13	15	12	14	15	12	13	14	11
Stufe 8	4	5	5	5	13	15	17	14	16	17	14	15	16	13
Stufe 9	4	5	5	5	15	17	19	16	18	19	16	17	18	15
Stufe 10	4	5	6	6	16	18	20	17	19	20	17	18	19	16

- 8) **HERAUSFORDERUNG:** Erfassen Sie während dieses Trainings als Rekord den Wert des Streckenprogramms. Vergleichen Sie die Geschwindigkeit zwischen der Sportart und dem Rekord pro 0,16 km. Zum Beispiel ist die Geschwindigkeit der ersten 0,16 km des Rekords 10, wenn die Strecke der ersten 0,16 km dieser Sportart 11 ist. Bei den zweiten 0,16 km rückt das Bewegungssymbol der Sportart zwei Raster nach vorne, der Rekord rückt nur ein Raster nach vorne, einfach gesagt, schneller, zwei Raster nach vorne, langsamer, nur ein Raster nach vorne.
- 9) **ZHF-BEREICH:** Simuliert die Intensität Ihrer Sportart, indem sich der Programmwiderstand automatisch anpasst, um einen festgelegten Zielherzfrequenzbereich beizubehalten. (Es empfiehlt sich, mit diesem Programm einen Bluetooth-Herzfrequenzgurt zu tragen. Sie können einen solchen Gurt separat bei Ihrem Händler erwerben).

WIDERSTANDSANPASSUNG		
Herzfrequenz	Widerstandsfunktion	Widerstandsanpassung
20+ unter dem Ziel	Erhöhung alle 10 Sekunden	1
6 – 19 unter dem Ziel	Erhöhung alle 35 Sekunden	1
Innerhalb +/- 5 des Ziels	Keine Änderung	0
6 – 10 über dem Ziel	Verringerung alle 35 Sekunden	1
11 – 19 über dem Ziel	Verringerung alle 10 Sekunden	1
20 – 24 über dem Ziel	Verringerung alle 10 Sekunden	Hälfte des aktuellen Werts
25+ über dem Ziel	Konsole zurücksetzen	N/A zurücksetzen



MEEGELEVERD GEREEDSCHAP:

- 5 mm L sleutel
- 6 mm L sleutel
- 13/15 mm moersleutel
- Schroevendraaier

MEEGELEVERDE ONDERDELEN:

- 1 hoofdframe
- 1 stabilisatiestang voorzijde
- 1 stabilisatiestang achterzijde
- 1 console
- 1 consolemast
- 1 consolemastschoen
- 1 stuur
- 1 handgreepafdekking voorzijde links en rechts
- 1 zitting
- 1 zadelpen
- 2 pedalen met straps
- 1 T knop
- 1 leesrek
- 1 bidonhouder
- 1 netsnoer
- 1 set montagemateriaal

VOOR MONTAGE

UITPAKKEN

Pak het toestel uit waar je het gaat gebruiken. Zet de doos van de fietstrainer op een vlakke ondergrond. We raden je aan je vloer ergens mee te beschermen. Open de doos nooit als deze op zijn kant ligt.

⚠ WAARSCHUWING

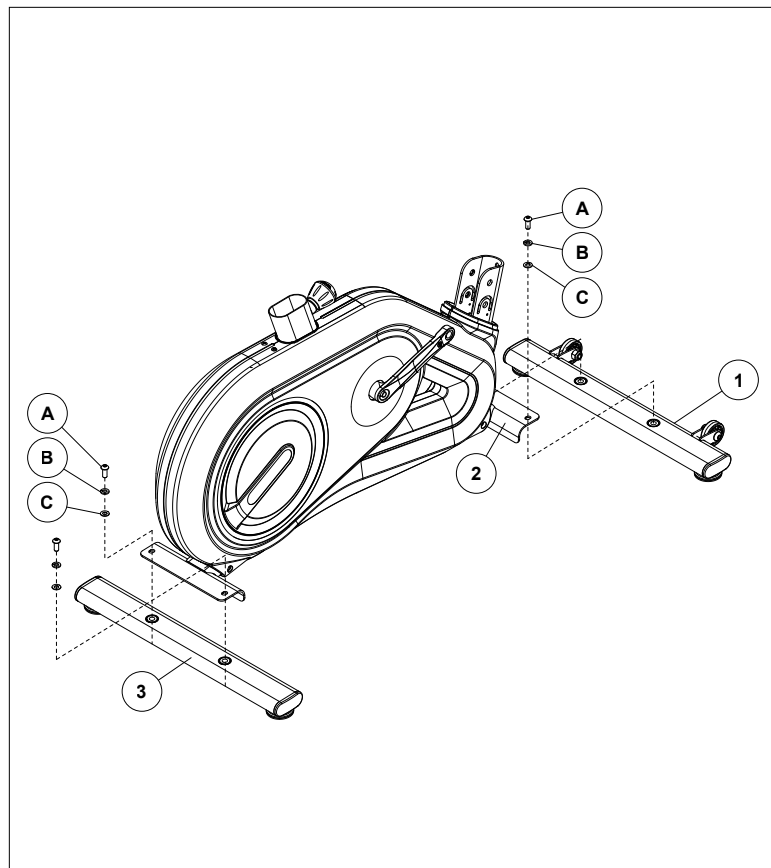
- Voor het gemak en de efficiëntie bij het monteren, is het aan te raden dat de fietstrainer met twee mensen wordt gemonteerd.
- Controleer tijdens iedere stap van de montage of ALLE bouten en moeren op de juiste plek zitten en deels zijn aangedraaid. Het wordt aanbevolen om de volledige montage van het apparaat te voltooien voordat je de bouten volledig vastdraait.
- Verschillende onderdelen zijn vooraf gesmeerd om montage en gebruik te vergemakkelijken. Veeg dit alstublieft niet weg. Als je moeilijkheden ondervindt, raden wij je aan wat lithiumvet aan te brengen.

☎ HULP NODIG?

Als je vragen hebt of onderdelen mist, kijk dan op de veiligheidssticker op het product voor de contactgegevens van de technische klantenservice.

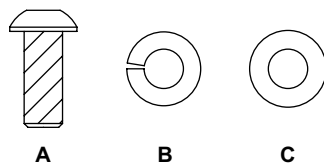


MONTAGE STAP 1



MONTAGEMATERIAAL VOOR STAP 1			
ONDERDEEL	TYPE	BESCHRIJVING	AANTAL
A	BOUT	M8	4
B	VEERRING	Ø8,0	4
C	SLUITRING	Ø8,0	4

- A Open het **MONTAGEMATERIAAL**.
- B Bevestig de **VOORSTABILISATOR (1)** aan het **HOOFDFRAME (2)** met 2 **BOUTEN (A)** en 4 **RINGEN (B&C)**.
- C Bevestig de **ACHTERSTABILISATOR (3)** aan het **HOOFDFRAME (2)** met 2 **BOUTEN (A)** en 4 **RINGEN (B&C)**.



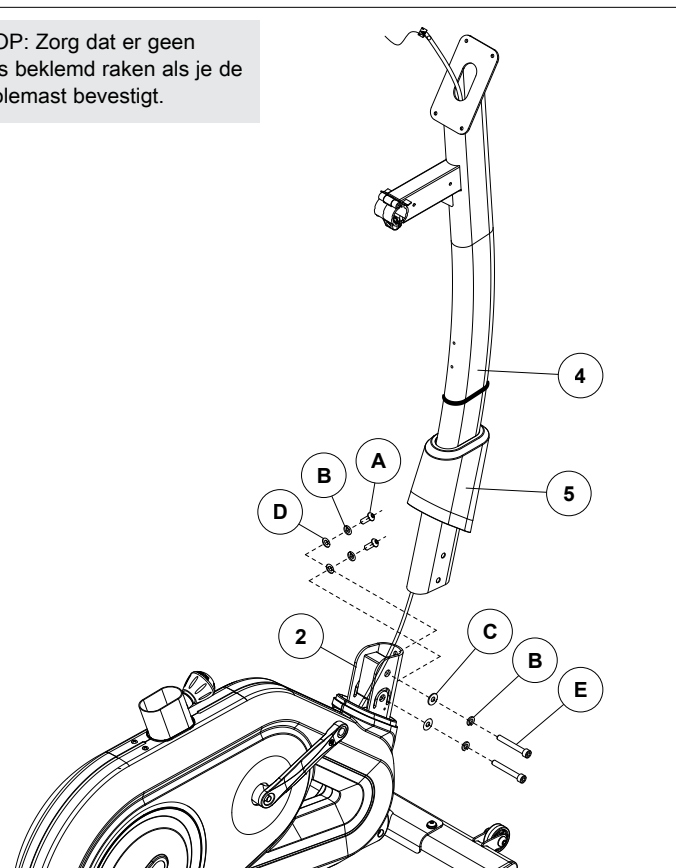
A

B

C

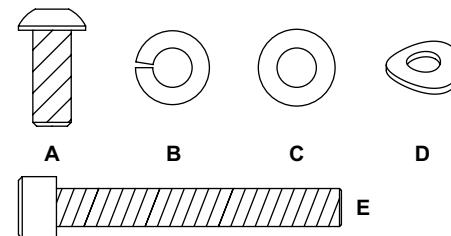
MONTAGE STAP 2

LET OP: Zorg dat er geen kabels beklemd raken als je de consolemast bevestigt.



MONTAGEMATERIAAL VOOR STAP 2			
ONDERDEEL	TYPE	BESCHRIJVING	AANTAL
A	BOUT	M8	2
B	VEERRING	Ø8,0	4
C	SLUITRING	Ø8,0	2
D	GEGOLFDE VEERRING	Ø8,0	2
E	BOUT	M8	2

- A Schuif de **CONSOLEMASTSCHOEN (5)** vanaf de onderkant in de **CONSOLEMAST (4)**.
- B Bevestig de **GELEIDEDRAAD** aan de onderkant van de **CONSOLEKABEL**. Trek de **GELEIDEDRAAD** door de **CONSOLEMAST (4)**. De bovenzijde van de **CONSOLEKABEL** zou zich bovenop de mast moeten bevinden nadat je de geleidedraad door de mast hebt getrokken.
- C Schuif de **CONSOLEMAST (4)** in het **HOOFDFRAME (2)** met 2 **BOUTEN (A)**, 4 **RINGEN (B&D)** vanaf de zijkant 2 **BOUTEN (E)**, 4 **RINGEN (B&C)**, vanaf de voorkant.
- D Schuif de **CONSOLEMASTSCHOEN (5)** naar beneden over het **HOOFDFRAME (2)**.



A

B

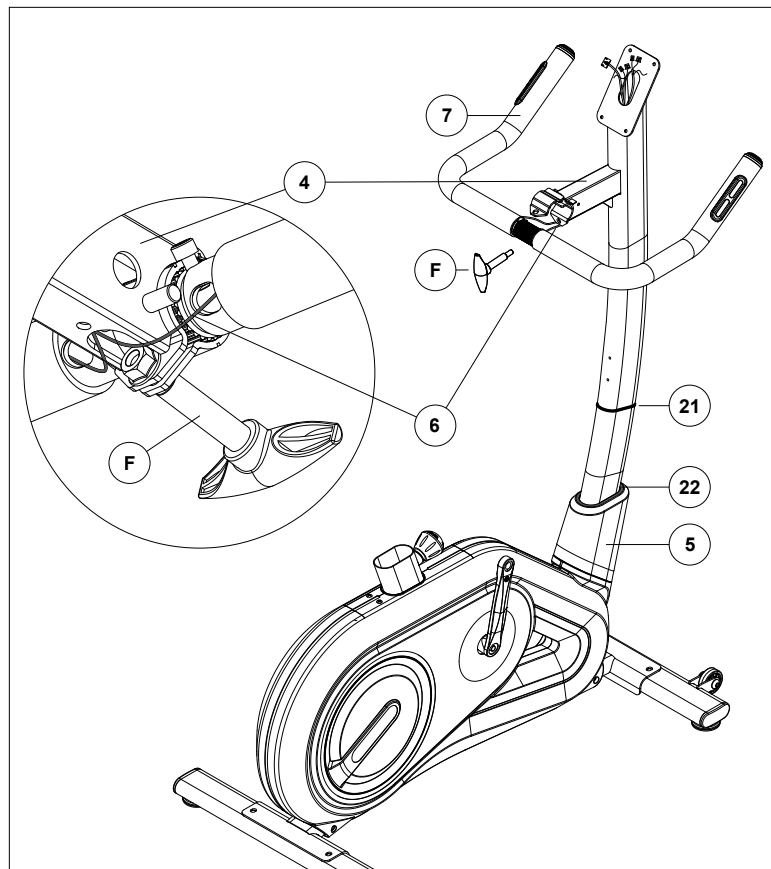
C

D

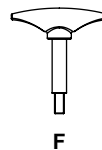
E



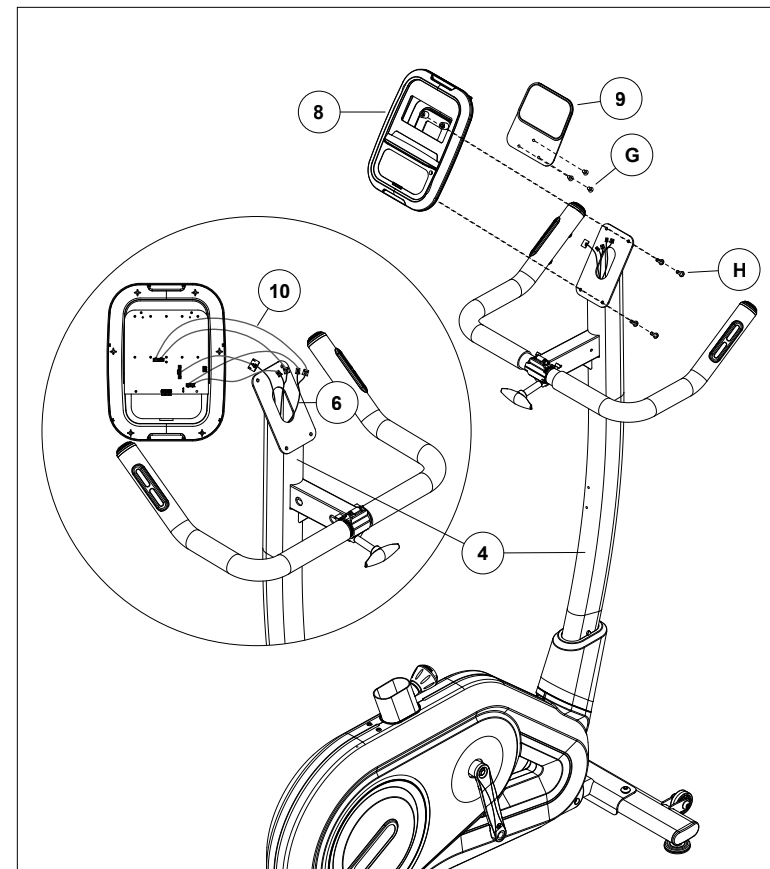
MONTAGE STAP 3



- A Schuif de **O-RING (21)** omlaag naar positie **(22)** om de **CONSOLEMASTSCHOEN (5)** vast te zetten.
- B Bevestig de **GELEIDEDRAAD** en voer de **HANDGREEPKABELS (6)** door het gat in de **CONSOLEMAST (4)** en uit de bovenkant van de **CONSOLEMAST (4)**.
- C Bevestig de **HANDGREEP (7)** aan de **CONSOLEMAST (4)** met 1 **T KNOP (F)**.



MONTAGE STAP 4

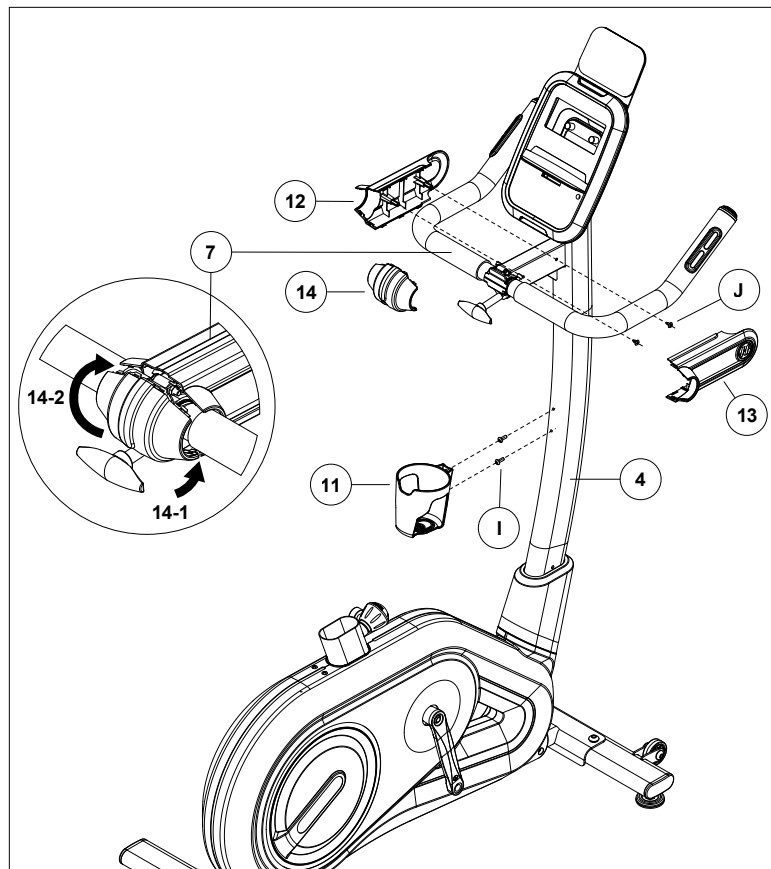


MONTAGEMATERIAAL VOOR STAP 4			
ONDERDEEL	TYPE	BESCHRIJVING	AANTAL
G	SCHROEF	M6	3
H	SCHROEF	M5	4

- A Bevestig de **CONSOLE (8)** aan het **LEESREK (9)** met 3 **SCHROEVEN (G)**.
- B Verbind de **CONSOLEKABELS (10)** en de **HANDGREEPKABELS (6)**. Werk de **CONSOLEKABELS (10)** en de **HANDGREEPKABELS (6)** in de **CONSOLEMAST (4)**.
- C Bevestig de **CONSOLE (8)** aan de **CONSOLEMAST (4)** met 4 **SCHROEVEN (H)**.

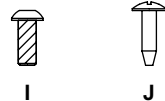


MONTAGE STAP 5

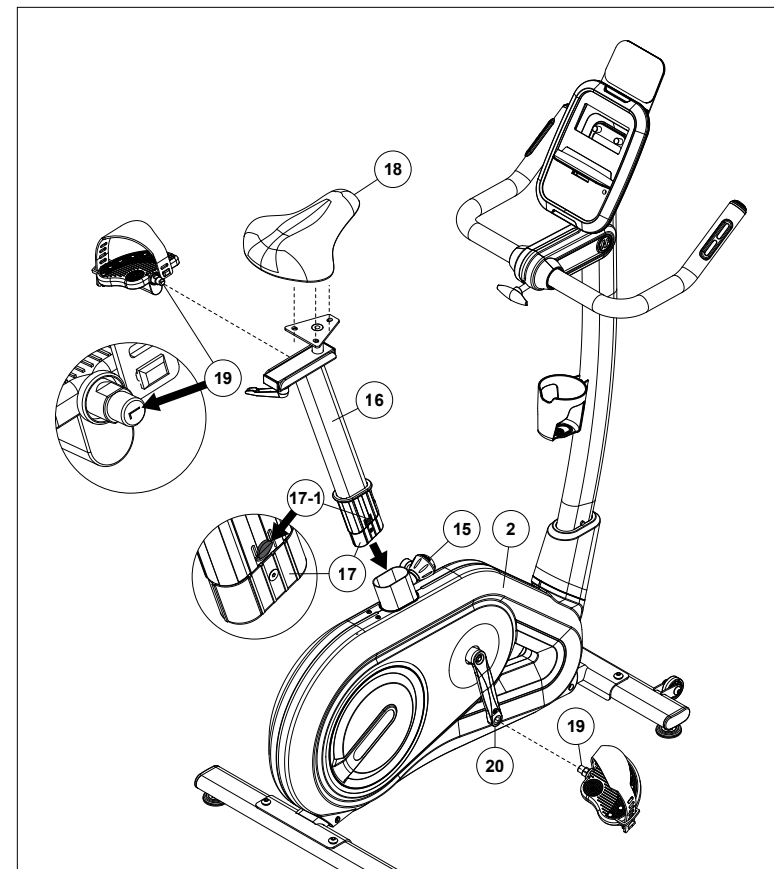


MONTAGEMATERIAAL VOOR STAP 5			
ONDERDEEL	TYPE	BESCHRIJVING	AANTAL
I	SCHROEF	M5	2
J	SCHROEF	Ø4	2

- A Bevestig de **BIDONHOUDER (11)** aan de **CONSOLEMAST (4)** met 2 **SCHROEVEN (I)**.
- B Maak de **HANDGREEPAFDEKKING LINKS (12)** vast aan de **HANDGREEP (7)** met 2 **SCHROEVEN (J)**.
- C Klik de **HANDGREEPAFDEKKING RECHTS (13)** vast aan de **HANDGREEP (7)**, bevestig eerst de onderkant en druk vervolgens de bovenkant vast.
- D Klik de **HANDGREEPAFDEKKING VOOR (14)** vast aan de **HANDGREEP (7)** via dezelfde methode.



MONTAGE STAP 6



- A Trek de **ZADELHOOGTEVERSTELKNOP (15)** naar buiten en schuif de **ZADELPEN (16)** in het **HOOFDFRAME (2)**. Druk (17-1) omlaag voor het plaatsen van de **PLASTIC BUS (17)**.
- B Bevestig het **ZADEL (18)** op de **ZADELPEN (16)** met 3 **VOORGEMONTEERDE BOUTEN**.
- C Bevestig het **RECHTER PEDAAL (19R)** aan de **RECHTER CRANKARM (20R)**, en schroef hem **MET DE KLOK MEE** vast met de moersleutel.
- D Bevestig het **LINKER PEDAAL (19L)** aan de **LINKER CRANKARM (20L)**, en schroef hem **TEGEN DE KLOK IN** vast met de moersleutel.



MONTAGE STAP 7



MONTAGE VOLTOOID!

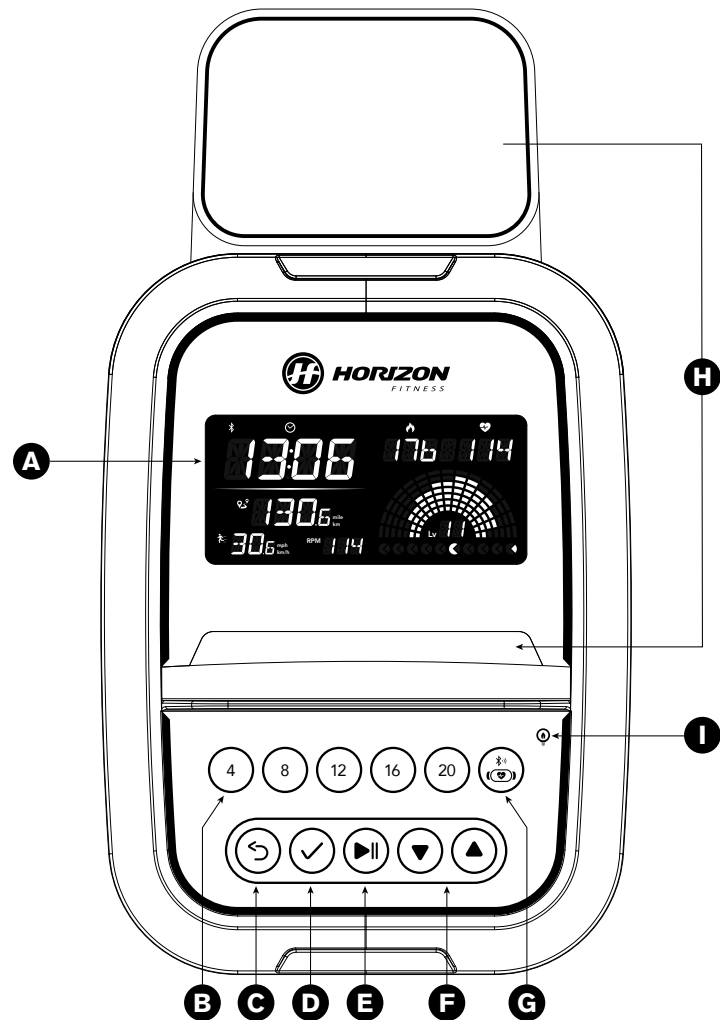
Max. gewicht gebruiker: 130 kg / 286 lbs.

Totale afmetingen: 107 x 53 x 144 cm / 42" x 21" x 57"

GEBRUIK VAN DE HOMETRAINER



Dit hoofdstuk geeft uitleg over het gebruik van de console en programmering van uw hometrainer.
Voor de BASISBEDIENING zie de HANDLEIDING VAN DE HOMETRAINER.



BEDIENING CONSOLE

Let op: Op de afdekking van de console bevindt zich een dunne bescherm laag van doorzichtig plastic die vóór gebruik moet worden verwijderd.

- A) **LCD-DISPLAY VENSTER:** tijd, TPM, afstand, calorieën, hartslag, snelheid, weerstandsniveau.
- B) **SNELTOETSEN:** om snel een gewenst weerstandsniveau te kiezen.
- C) **VORIGE:** terug naar de vorige stap.
- D) **ENTER:** voor het bevestigen van een keuze.
- E) **START / PAUZE INGEDRUKT HOUDEN OM TE RESETTEN:** om een training te starten, te pauzeren en opnieuw te starten.
- F) **▼▲ TOETSEN:** worden gebruikt om het weerstandsniveau aan te passen en om tijdens de programma-instellingen door de keuzes te bladeren.
- G) **BLUETOOTH-HARTSLAG:** houd 3 seconden ingedrukt om verbinding te maken met de Bluetooth-hartslagband. (APP en BT hartslagband kunnen niet tegelijkertijd verbinding maken).
- H) **HOUDER VOOR TABLET/LEESMATERIAAL:** voor tablet of leesmateriaal.
- I) **ENERGIESPAARSTAND:** geeft aan of het apparaat in energiespaarstand staat.





DISPLAYVENSTERS

- **TIJD:** Wordt weergegeven als minuten : seconden. Bekijk de resterende tijd of de tijd die uw training heeft geduurd.
- **AFSTAND:** Geeft de afgelegde afstand tijdens uw training weer.
- **CALORIEËN:** Totaal aantal calorieën die u verbrand hebt of nog moet verbranden tijdens uw training.
- **SNELHEID:** Geeft aan hoe snel de voetpedalen bewegen.
- **HARTSLAG:** Wordt weergegeven als BPM (beats per minute - aantal slagen per minuut). Wordt gebruikt om uw hartslag te controleren (wordt weergegeven als contact gemaakt wordt met beide polsslag-grepen of de Bluetooth-hartslagmeter is verbonden).
- **BLUETOOTH:** Geeft aan dat Bluetooth is verbonden met de machine.
- **TPM:** Toont de toeren per minuut.
- **NIVEAU:** Geeft het huidige weerstandsniveau aan.

AAN DE SLAG

- 1) Controleer of er geen objecten in de buurt staan die de bewegingen van de fietstrainer belemmeren.
- 2) Steek de stekker in het stopcontact en zet de fietstrainer AAN. (De schakelaar bevindt zich aan de onderzijde van de fietstrainer.)
- 3) Stel het gebruikersgewicht in met ▼▲ en druk op ENTER.
- 4) U hebt de volgende opties om uw training te beginnen:

A) SNELLE START

Druk gewoon ►|| in om met uw training te beginnen. Tijd afstand en calorieën zullen allemaal optellen vanaf nul. Het weerstandsniveau staat standaard op niveau 1.

B) SELECTEER EEN PROGRAMMA

- 1) Gebruik ▼▲ om door de programma's te bladeren.
- 2) Druk op ✓ om het gewenste programma te selecteren.
- 3) Stel het trainingsniveau in met ▼▲ en druk op ✓.
- 4) Druk op ►|| om met uw training te beginnen.

LET OP: U kunt het weerstandsniveau tijdens uw training aanpassen.

UW TRAINING BEËINDIGEN

Als u uw training voltooid heeft zal het display "workout complete" weergeven en piepen. Uw trainingsinformatie wordt gedurende 60 seconden weergegeven op de console, en wordt dan gereset.

DE CONSOLE RESETTEN

Houd de ►|| knop 3 seconden vast.

OM DE HUIDIGE SELECTIE TE WISSEN

Om het huidige programma of scherm te wissen, houdt u de ►|| 3 seconden ingedrukt.

PROGRAMMA-INFORMATIE

1) **HANDMATIG:** Hiermee kunt u het weerstandsniveau aanpassen aan uw voorkeur, zonder een vooraf ingesteld programma. Pas uw weerstandsniveau handmatig aan tijdens uw training. De gebruiker stelt de tijd en het weerstand in met behulp van (omhoog/omlaag-pijlen) en ENTER.

2) **INTERVALLEN:** Verbeterd uw kracht, snelheid en uithoudingsvermogen door het verhogen en verlagen van het weerstandsniveau tijdens de training om zowel uw hart als uw spieren te betrekken. Programma op basis van tijd waarbij u uit 12 niveaus kunt kiezen.

INTERVALLEN																				
	Warming-up				Programmasegmenten - Herhalen												Cooling-down			
Seconden	60	60	60	60	30	60	60	30	30	60	30	60	60	30	30	60	60	60	60	60
Segment	1	2	3	4	5	6	7	8	9	10	11	12	13	14	15	16	17	18	19	20
Niveau 1	1	2	2	3	5	1	1	5	5	1	5	1	1	5	5	1	3	2	2	1
Niveau 2	1	2	2	3	6	2	2	6	6	2	6	2	2	6	6	2	3	2	2	1
Niveau 3	1	2	2	4	7	3	3	7	7	3	7	3	3	7	7	3	4	2	2	1
Niveau 4	1	2	2	5	8	4	4	8	8	4	8	4	4	8	8	4	5	2	2	1
Niveau 5	2	3	5	6	9	5	5	9	9	5	9	5	5	9	9	5	6	5	3	2
Niveau 6	2	3	5	7	10	6	6	10	10	6	10	6	6	10	10	6	7	5	3	2
Niveau 7	2	3	5	8	11	7	7	11	11	7	11	7	7	11	11	7	8	5	3	2
Niveau 8	2	3	5	9	12	8	8	12	12	8	12	8	8	12	12	8	9	5	3	2
Niveau 9	3	4	5	10	13	9	9	13	13	9	13	9	9	13	13	9	10	5	4	3
Niveau 10	3	4	8	11	14	10	10	14	14	10	14	10	10	14	14	10	11	8	4	3
Niveau 11	3	6	10	12	15	11	11	15	15	11	15	11	11	15	15	11	12	10	6	3
Niveau 12	3	6	10	13	16	12	12	16	16	12	16	12	12	16	16	12	13	10	6	3

3) **GEWICHTSVERLIES:** Bevordert gewichtsverlies door het weerstandsniveau te verhogen en te verlagen, terwijl u in de vetverbrandingszone blijft. Programma op basis van tijd waarbij u uit 12 niveaus kunt kiezen. De gebruiker stelt de tijd en het niveau in met behulp van (omhoog/omlaag-pijlen) en ENTER. Drink voldoende water tijdens en na het sporten om de resultaten van het gewichtsverlies te verbeteren.

GEWICHTSVERLIES																				
	Warming-up				Programmasegmenten - Herhalen												Cooling-down			
Seconden	60	60	60	60	60	60	60	60	60	60	60	60	60	60	60	60	60	60	60	60
Segment	1	2	3	4	5	6	7	8	9	10	11	12	13	14	15	16	17	18	19	20
Niveau 1	1	2	2	3	3	3	4	4	5	5	5	4	4	3	3	3	3	2	2	1
Niveau 2	1	2	2	3	4	4	5	5	6	6	6	6	5	5	4	4	3	2	2	1
Niveau 3	1	2	2	4	5	5	6	6	7	7	7	7	6	6	5	5	4	2	2	1
Niveau 4	1	2	2	5	6	6	7	7	8	8	8	8	7	7	6	6	5	2	2	1
Niveau 5	2	3	5	6	7	7	8	8	9	9	9	9	8	8	7	7	6	5	3	2
Niveau 6	2	3	5	7	8	8	9	9	10	10	10	10	9	9	8	8	7	5	3	2
Niveau 7	2	3	5	8	9	9	10	10	11	11	11	11	10	10	9	9	8	5	3	2
Niveau 8	2	3	5	9	10	10	11	11	12	12	12	12	11	11	10	10	9	5	3	2
Niveau 9	3	4	5	10	11	11	12	12	13	13	13	13	12	12	11	11	10	5	4	3
Niveau 10	3	4	8	11	12	12	13	13	14	14	14	14	13	13	12	12	11	8	4	3
Niveau 11	3	6	10	12	13	13	14	14	15	15	15	15	14	14	13	13	12	10	6	3
Niveau 12	3	6	10	13	14	14	15	15	16	16	16	16	15	15	14	14	13	10	6	3

4) **ROLLENDE HEUVELS:** Houdt het gewicht op peil door het weerstandsniveau geleidelijk te verhogen en te verlagen om de hartslag geleidelijk te verhogen en te verlagen.

ROLLENDE HEUVELS																				
	Warming-up				Programmasegmenten - Herhalen												Cooling-down			
Seconden	60	60	60	60	30	30	30	30	30	30	30	30	30	30	30	30	60	60	60	60
Segment	1	2	3	4	5	6	7	8	9	10	11	12	13	14	15	16	17	18		
Niveau 1	1	1	2	2	1	2	3	4	3	2	1	2	3	2	1	1	1	1	1	1
Niveau 2	1	2	2	3	2	3	4	5	4	3	2	1	2	3	2	1	1	1	1	1
Niveau 3	2	2	3	3	3	4	5	6	7	8	7	6	5	4	2	1	1	1	1	1
Niveau 4	2	3	3	4	4	5	6	7	8	9	8	7	6	5	3	1	1	1	1	1
Niveau 5	3	4	4	4	5	6	7	8	9	10	9	8	7	6	3	3	2	1	1	1
Niveau 6	3	5	4	5	6	7	8	9	10	10	9	8	7	4	3	2	1	1	1	1
Niveau 7	4	5	5	5	7	7	8	8	9	10	9	8	7	4	3	2	1	1	1	1
Niveau 8	4	5	5	5	8	8	9	9	10	10	11	10	9	4	3	2	1	1	1	1
Niveau 9	4	5	5	5	9	9	10	10	11	11	12	11	10	5	4	3	1	1	1	1
Niveau 10	4	5	6	6	10	10	11	11	12	12	13	13	12	11	6	5	4	1	1	1
Niveau 11	4	5	7	7	11	11	12	12	13	13	14	14	13	12	6	5	4	1	1	1
Niveau 12	4	5	8	8	12	12	13	13	14	14	15	15	14	13	7	6	5	1	1	1
Niveau 13	4	5	9	9	13	13	14	14	15	15	16	16	15	14	7	6	5	1	1	1
Niveau 14	4	5	9	9	14	14	15	15	16	16	17	17	16	15	8	7	6	1	1	1

- 5) **KADANS:** Speciaal ontworpen programma op basis van diagrammen dat weerstand simuleert die willekeurig wordt veranderd.

KADANS																				
Seconden	Warming-up				Programmasegmenten - Herhalen											Cooling-down				
	60	60	60	60	90	45	90	30	45	90	30	45	90	30	45	90	60	60	60	60
Segment	1	2	3	4	5	6	7	8	9	10	11	12	13	14	15	16	17	18	19	20
Niveau 1	2	1	1	2	3	2	3	1	2	3	1	2	3	1	2	3	2	1	1	1
Niveau 2	1	1	1	2	4	3	4	2	3	4	2	3	4	2	3	4	2	1	1	1
Niveau 3	1	1	1	2	5	4	5	3	4	5	3	4	5	3	4	5	2	1	1	1
Niveau 4	1	1	1	3	6	5	6	4	5	6	4	5	6	4	5	6	3	1	1	1
Niveau 5	1	2	3	3	7	6	7	5	6	7	5	6	7	5	6	7	3	3	2	1
Niveau 6	1	2	3	4	8	7	8	6	7	8	6	7	8	6	7	8	4	3	2	1
Niveau 7	1	2	3	4	9	8	9	7	8	9	7	8	9	7	8	9	4	3	2	1
Niveau 8	1	2	3	5	10	9	10	8	9	10	8	9	10	8	9	10	5	3	2	1
Niveau 9	1	1	1	2	11	10	11	9	10	11	9	10	11	9	10	11	2	1	1	1
Niveau 10	1	1	1	2	12	11	12	10	11	12	10	11	12	10	11	12	2	1	1	1
Niveau 11	2	2	2	3	13	12	13	11	12	13	11	12	13	11	12	13	2	1	1	1
Niveau 12	3	3	3	4	14	13	14	12	13	14	12	13	14	12	13	14	3	1	1	1
Niveau 13	3	4	4	5	15	14	15	13	14	15	13	14	15	13	14	15	3	3	2	1
Niveau 14	3	4	5	6	16	15	16	14	15	16	14	15	16	14	15	16	4	3	2	1

- 6) **AFSTANDSDOEL:** Weerstand verandert en alle segmenten elke 0,16 km en herhalen (warming-up wordt niet herhaald).

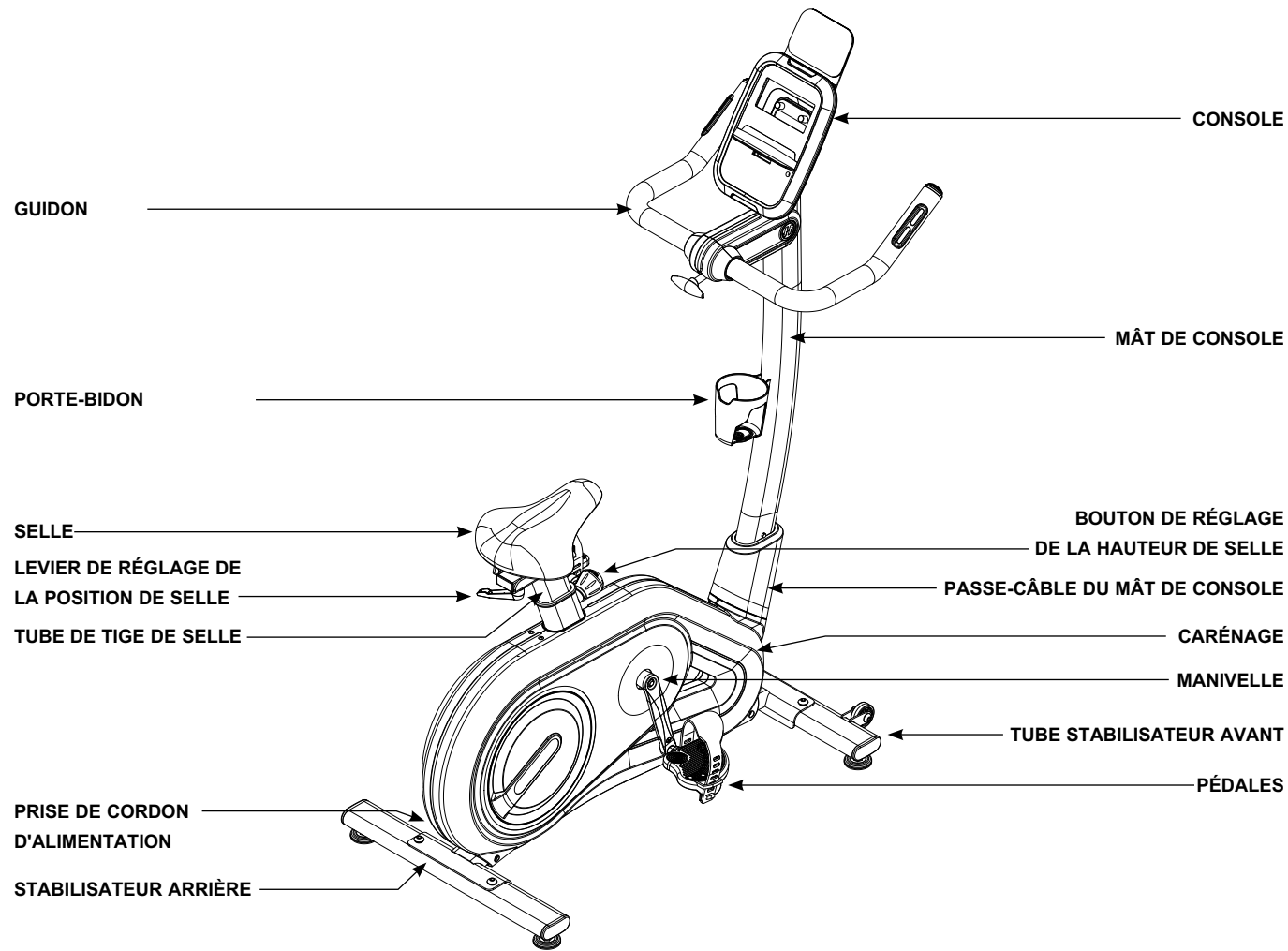
AFSTANDSDOEL														
AFSTAND	Warming-up			Programmasegmenten - Herhalen										
	0,16 km	0,16 km	0,16 km	0,16 km	0,16 km	0,16 km	0,16 km	0,16 km	0,16 km	0,16 km	0,16 km	0,16 km	0,16 km	
Segment	1	2	3	4	5	6	7	8	9	10	11	12	13	14
Niveau 1	1	1	1	1	1	1	1	1	1	1	1	1	1	1
Niveau 2	1	2	2	3	3	5	7	4	6	7	4	5	6	3
Niveau 3	2	2	3	3	4	6	8	5	7	8	5	6	7	4
Niveau 4	2	3	3	4	6	8	10	7	9	10	7	8	9	6
Niveau 5	3	4	4	4	8	10	12	9	11	12	9	10	11	8
Niveau 6	3	5	4	5	10	12	14	11	13	14	11	12	13	10
Niveau 7	4	5	5	5	11	13	15	12	14	15	12	13	14	11
Niveau 8	4	5	5	5	13	15	17	14	16	17	14	15	16	13
Niveau 9	4	5	5	5	15	17	19	16	18	19	16	17	18	15
Niveau 10	4	5	6	6	16	18	20	17	19	20	17	18	19	16

- 7) **CALORIEDOEL:** Weerstand verandert en alle segmenten elke 20 calorieën en herhalen (warming-up wordt niet herhaald).

CALORIEDOEL														
CALORIEËN	Warming-up				Programmasegmenten - Herhalen									
	20 cal	20 cal	20 cal	20 cal	20 cal	20 cal	20 cal	20 cal	20 cal	20 cal	20 cal	20 cal	20 cal	
Segment	1	2	3	4	5	6	7	8	9	10	11	12	13	14
Niveau 1	1	1	1	1	1	1	1	1	1	1	1	1	1	1
Niveau 2	1	2	2	3	3	5	7	4	6	7	4	5	6	3
Niveau 3	2	2	3	3	4	6	8	5	7	8	5	6	7	4
Niveau 4	2	3	3	4	6	8	10	7	9	10	7	8	9	6
Niveau 5	3	4	4	4	8	10	12	9	11	12	9	10	11	8
Niveau 6	3	5	4	5	10	12	14	11	13	14	11	12	13	10
Niveau 7	4	5	5	5	11	13	15	12	14	15	12	13	14	11
Niveau 8	4	5	5	5	13	15	17	14	16	17	14	15	16	13
Niveau 9	4	5	5	5	15	17	19	16	18	19	16	17	18	15
Niveau 10	4	5	6	6	16	18	20	17	19	20	17	18	19	16

- 8) **UITDAGING:** Noteer tijdens deze training als een record op basis van de waarde van het programma voor afstandsdoelen. Vergelijk de snelheid tussen de sport en het record per 0,16 km. De snelheid van de eerste 0,16 km van het record is bijvoorbeeld 10, terwijl de afstand van de eerste 0,16 km van deze sport 11 is. In de tweede 0,16 km zal het bewegingspictogram van de sport twee grids vooruitgaan, het record zal slechts één vooruitgaan. Eenvoudig gezegd: sneller, twee grids vooruit, langzamer, slechts één grid vooruit.
- 9) **THR-ZONE:** Simuleert de intensiteit van sport. De programmaweerstand past zich automatisch aan om een ingesteld streefhartslagbereik te behouden. (Hierbij kan de Bluetooth-borstriem worden gebruikt. U kunt de borstriem bij uw dealer kopen).

WEERSTAND AANPASSEN		
Hartslag	Weerstandfunctie	Weerstand aanpassen
20+ onder doel	Toename iedere 10 seconden	1
6-19 onder doel	Toename iedere 35 seconden	1
+/- 5 van doel	Geen wijziging	0
6-10 boven doel	Afname iedere 35 seconden	1
11-19 boven doel	Afname iedere 10 seconden	1
20-24 boven doel	Afname iedere 10 seconden	Helpt van huidige
25+ boven doel	Reset console	N.v.t. reset



OUTILS INCLUS :

- Clé à manche en L 5 mm
- Clé à manche en L 6 mm
- Clé plate de 13/15 mm
- Tournevis

PIÈCES INCLUSES :

- 1 cadre principal
- 1 pied de stabilisation avant
- 1 pied de stabilisation arrière
- 1 console
- 1 mât de console
- 1 passe-câble du mât de console
- 1 guidon
- 1 cache de guidon gauche et droit et avant
- 1 selle
- 1 tige de selle
- 2 pédales avec sangles
- 1 poignée en T
- 1 rack de lecture
- 1 porte-bidon
- 1 cordon d'alimentation
- 1 kit de matériel

PRÉ-MONTAGE

DÉBALLAGE

Déballer le produit à l'endroit où vous allez l'utiliser. Placez le carton du vélo d'exercice sur une surface plane et de niveau. Il est recommandé de placer un revêtement de protection sur votre sol. N'ouvrez jamais l'emballage lorsqu'il est sur le côté.

⚠ AVERTISSEMENT

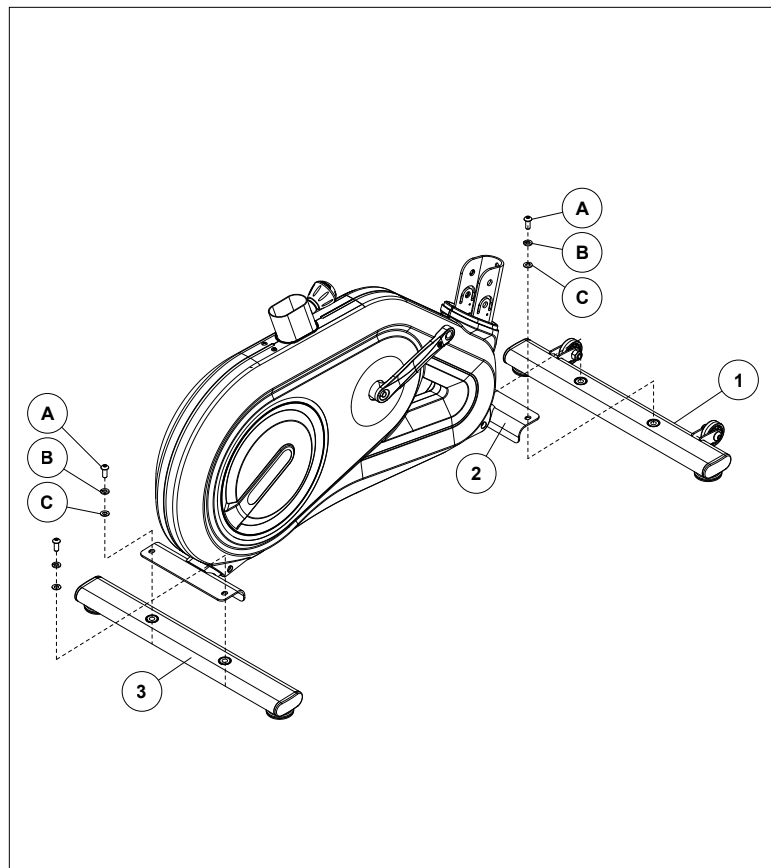
- Il est recommandé que deux personnes travaillent ensemble pour plus de facilité et d'efficacité lors de l'assemblage d'un vélo d'exercice.
- Lors de chaque étape d'assemblage, assurez-vous que TOUS les écrous et boulons sont en place et partiellement filetés. Il est recommandé de terminer le montage complet de votre appareil avant de serrer complètement UN boulon.
- Plusieurs pièces ont été pré-lubrifiées pour faciliter l'assemblage et l'utilisation. Veuillez ne pas enlever la lubrification. En cas de difficulté, une légère application de graisse au lithium pour vélo est recommandée.

☎ VOUS AVEZ BESOIN D'AIDE ?

Si vous avez des questions ou si des pièces sont manquantes, veuillez vous référer à l'autocollant de sécurité sur le produit pour contacter le support technique client.

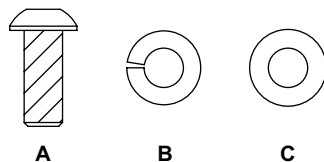


MONTAGE ÉTAPE 1



VISSERIE DE L'ÉTAPE 1			
PIÈCE	TYPE	DESCRIPTION	QTÉ
A	BOULON	M8	4
B	RONDELLE ÉLASTIQUE	Ø8.0	4
C	RONDELLE PLATE	Ø8.0	4

- A Ouvrez le **KIT DE VISSERIE**.
- B Fixez le **PIED DE STABILISATION AVANT (1)** au **CADRE PRINCIPAL (2)** à l'aide des 2 **BOULONS (A)** et des 4 **RONDELLES (B ET C)**.
- C Fixez le **PIED DE STABILISATION ARRIÈRE (3)** au **CADRE PRINCIPAL (2)** à l'aide des 2 **BOULONS (A)** et des 4 **RONDELLES (B ET C)**.



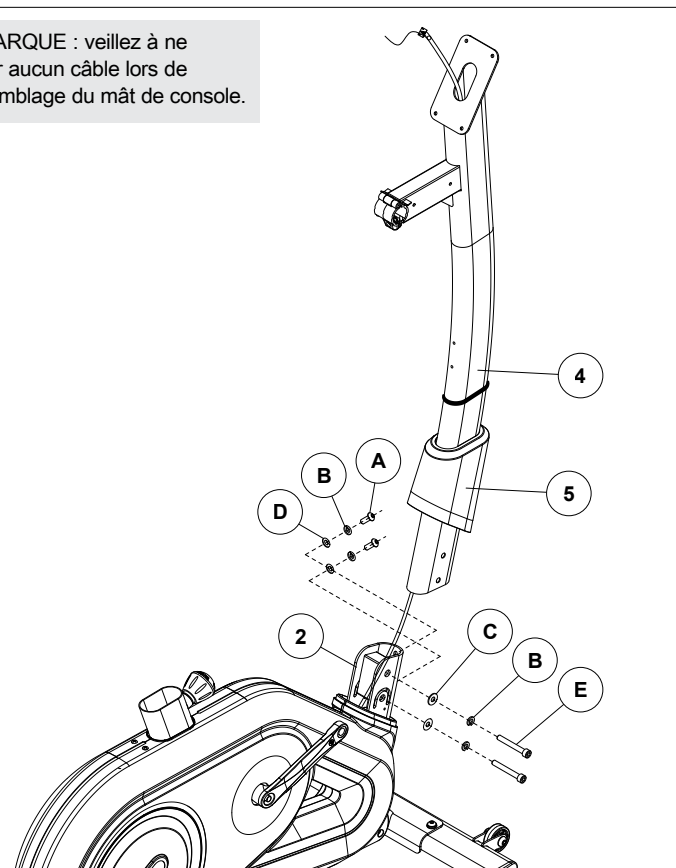
A

B

C

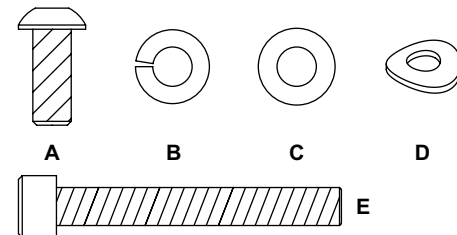
MONTAGE ÉTAPE 2

REMARQUE : veillez à ne pincer aucun câble lors de l'assemblage du mât de console.



VISSERIE DE L'ÉTAPE 2			
PIÈCE	TYPE	DESCRIPTION	QTÉ
A	BOULON	M8	2
B	RONDELLE ÉLASTIQUE	Ø8.0	4
C	RONDELLE PLATE	Ø8.0	2
D	RONDELLE EN ARC	Ø8.0	2
E	BOULON	M8	2

- A Faites glisser le **PASSE-CÂBLE DU MÂT DE LA CONSOLE (5)** du bas vers le haut du **MÂT DE CONSOLE (4)**.
- B Fixez le **FIL CONDUCTEUR** à l'extrémité inférieure du **CÂBLE DE LA CONSOLE**. Tirez le **FIL CONDUCTEUR** à travers le **MONTANT DE CONSOLE (4)**. Après avoir tiré le fil conducteur à travers le montant, le haut du **CÂBLE DE LA CONSOLE** doit se trouver en haut du montant.
- C Faites glisser le **MÂT DE CONSOLE (4)** dans le **CADRE PRINCIPAL (2)** à l'aide de 2 **BOULONS (A)**, 4 **RONDELLES (B&D)** par le côté et 2 **BOULONS (E)**, 4 **RONDELLES (B&C)**, par l'avant.
- D Faites glisser le **PASSE-CÂBLE DU MÂT DE CONSOLE (5)** vers le bas sur le **CADRE PRINCIPAL (2)**.



A

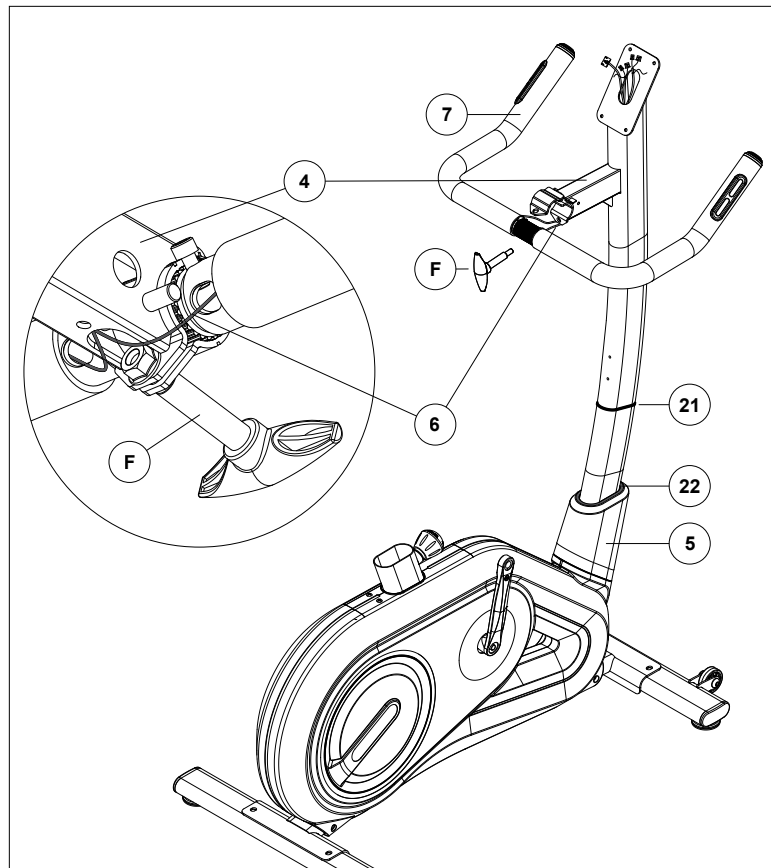
B

C

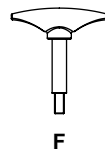
D

E

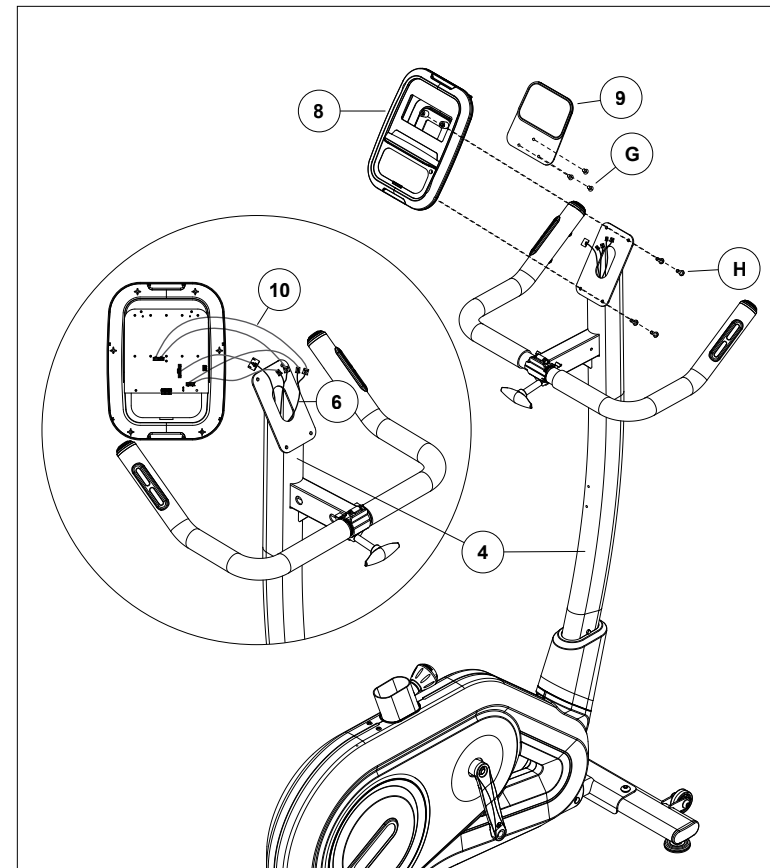
MONTAGE ÉTAPE 3



- A Faites glisser le **JOINT TORIQUE (21)** vers le bas en position **(22)** pour fixer le **PASSE-CÂBLE DU MÂT DE CONSOLE (5)**.
- B Fixez le **CÂBLE CONDUCTEUR** et faites passer les **CÂBLES DU GUIDON (6)** dans l'orifice situé dans le **MÂT DE CONSOLE (4)** pour les faire ressortir par le haut du **MÂT DE CONSOLE (4)**.
- C Fixez le **GUIDON (7)** au **MÂT DE CONSOLE (4)** en utilisant 1 **POIGNÉE EN T (F)**.



MONTAGE ÉTAPE 4

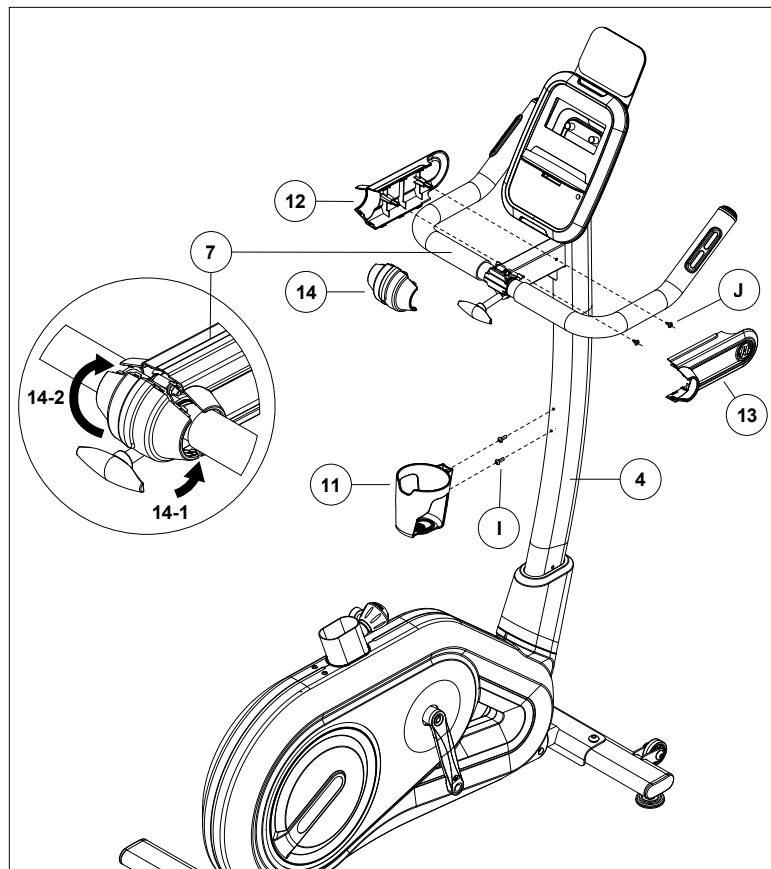


VISSERIE DE L'ÉTAPE 4			
PIÈCE	TYPE	DESCRIPTION	QTÉ
G	VIS	M6	3
H	VIS	M5	4

- A Fixez la **CONSOLE (8)** au **SUPPORT DE LECTURE (9)** avec 3 **VIS (G)**.
- B Connectez les **CÂBLES DE CONSOLE (10)** et les **FILS DE GUIDON (6)**. Rentrez soigneusement les **CÂBLES DE CONSOLE (10)** et les **FILS DE GUIDON (6)** dans le **MÂT DE CONSOLE (4)**.
- C Fixez la **CONSOLE (8)** au **MÂT DE CONSOLE (4)** avec 4 **VIS (H)**.

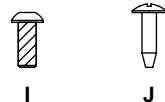


MONTAGE ÉTAPE 5

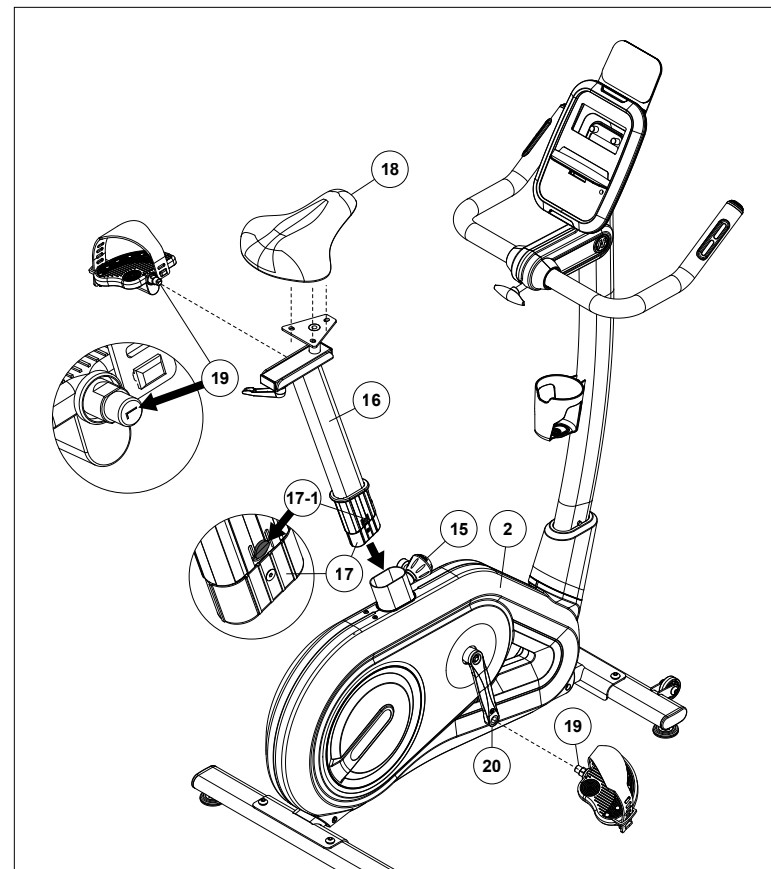


VISSERIE DE L'ÉTAPE 5			
PIÈCE	TYPE	DESCRIPTION	QTÉ
I	VIS	M5	2
J	VIS	Ø4	2

- A Fixez le **PORTE-BIDON (11)** au **MÂT DE CONSOLE (4)** à l'aide de 2 **VIS (I)**.
- B Fixez le **CACHE DE GUIDON GAUCHE (12)** au **GUIDON (7)** à l'aide de 2 **VIS (J)**.
- C Faites glisser le **CACHE DE GUIDON DROIT (13)** dans le **GUIDON (7)**, fixez d'abord la partie inférieure, puis appuyez sur la partie supérieure pour fixer.
- D Faites glisser le **CACHE DE GUIDON AVANT (14)** dans le **GUIDON (7)** de la même façon.



MONTAGE ÉTAPE 6



- A Tirez le **BOUTON DE RÉGLAGE DE LA HAUTEUR DE LA SELLE (15)** vers l'extérieur tout en faisant glisser la **TIGE DE SELLE (16)** dans le **CADRE PRINCIPAL (2)**. Appuyez sur (17-1) pour insérer la **DOUILLE PLASTIQUE (17)**.
- B Fixez la **SELLE (18)** à la **TIGE DE SELLE (16)** avec 3 **BOULONS PRÉMONTÉS**.
- C Fixez la **PÉDALE DROITE (19R)** au **BRAS DE MANIVELLE DROIT (20R)**, en serrant dans le **SENS HORAIRE** avec la clé plate.
- D Fixez la **PÉDALE GAUCHE (19L)** au **BRAS DE MANIVELLE GAUCHE (20L)**, en serrant dans le **SENS ANTI-HORAIRE** avec la clé plate.

MONTAGE ÉTAPE 7



LE MONTAGE EST TERMINÉ !

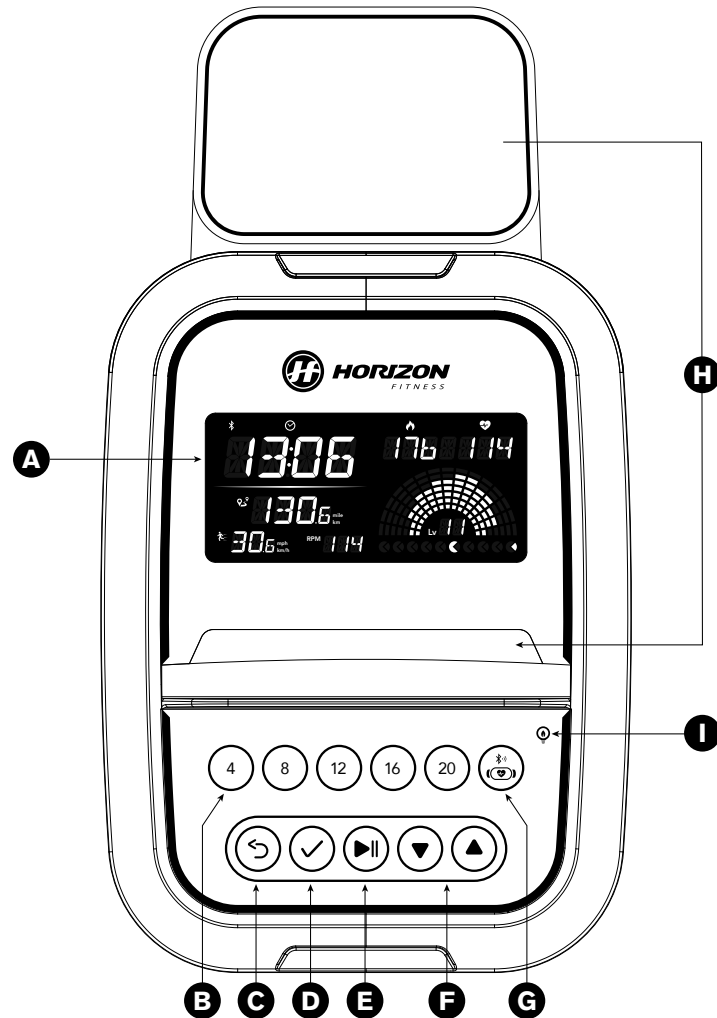
Poids d'utilisateur max. : 130 kg / 286 lbs.

Dimensions hors-tout : 107 x 53 x 144 cm / 42" x 21" x 57"

FONCTIONNEMENT DU VÉLO D'APPARTEMENT



Cette section explique comment utiliser la console et la programmation de votre vélo d'appartement.
Pour le FONCTIONNEMENT DE BASE, veuillez consulter le GUIDE DU VÉLO D'APPARTEMENT.



FONCTIONNEMENT DE LA CONSOLE

Remarque : le revêtement de la console présente une mince feuille protectrice de plastique transparent qui doit être retirée avant utilisation.

- A) **FENÊTRE D'AFFICHAGE LCD** : temps, tr/min, distance, calories, fréquence cardiaque, vitesse, niveau de résistance.
- B) **TOUCHES RAPIDES** : permettent d'atteindre rapidement la résistance souhaitée.
- C) **RETOUR** : permet de revenir à l'étape précédente.
- D) **ENTRÉE** : permet de confirmer la sélection.
- E) **DÉMARRER/PAUSE ET MAINTENIR POUR RÉINITIALISER** : permet de démarrer l'entraînement, de suspendre l'entraînement et redémarrer après la pause.
- F) **TOUCHES ▼ ▲** : permettent d'ajuster le niveau de résistance et de parcourir les sélections pendant la configuration du programme.
- G) **FRÉQUENCE CARDIAQUE BLUETOOTH** : appuyez sur cette touche pendant 3 secondes pour connecter la ceinture cardio Bluetooth. (connexion d'une seule ceinture cardio par application et Bluetooth à la fois).
- H) **SUPPORT DE LECTURE/TABLETTE** : sert de support au matériel de lecture.
- I) **MODE ÉCONOMIE D'ÉNERGIE** : indique si la machine est en mode d'économie d'énergie.





FENÊTRES D'AFFICHAGE

- **DURÉE** : Représenté en minutes : secondes. Affichez le temps restant ou le temps écoulé dans votre entraînement.
- **DISTANCE** : Indique la distance parcourue restante pendant votre entraînement.
- **CALORIES** : Total des calories brûlées ou restantes pour votre entraînement.
- **VITESSE** : Indique la vitesse de déplacement des coussinets de pieds.
- **FRÉQUENCE CARDIAQUE** : Indiquée en BPM (battements par minute). Permet à l'utilisateur de surveiller sa fréquence cardiaque (s'affiche lorsque le contact est établi avec les deux capteurs de pulsation cardiaque ou lorsque le cardiofréquencemètre Bluetooth est connecté).
- **BLUETOOTH** : Indique que la connexion Bluetooth est établie avec la machine.
- **TPM** : Indique le nombre de tours par minute.
- **NIVEAU** : Indique le niveau de résistance actuel.

GUIDE DE DÉMARRAGE

- 1) Assurez-vous qu'aucun objet à proximité ne gênera le mouvement de vélo d'exercice.
- 2) Branchez le cordon d'alimentation pour allumer vélo d'exercice. (L'interrupteur est situé en bas à l'avant de vélo d'exercice.)
- 3) Définissez le poids de l'utilisateur à l'aide de ▼▲ et appuyez sur ENTRÉE.
- 4) Vous avez les options suivantes pour commencer votre entraînement :

A) DÉMARRAGE RAPIDE

Il suffit d'appuyer sur ►|| pour commencer à s'entraîner. Le temps, la distance et les calories commenceront à être comptés à partir de zéro. Le niveau de résistance passera par défaut au niveau 1.

B) SÉLECTIONNER UN PROGRAMME

- 1) Utilisez ▼▲ pour faire défiler les programmes.
- 2) Appuyez sur ✓ pour sélectionner le programme souhaité.
- 3) Définissez le niveau d'entraînement à l'aide de ▼▲ et appuyez sur ✓.
- 4) Appuyez sur ►|| pour commencer la séance d'entraînement.

REMARQUE : Vous pouvez ajuster le niveau de résistance pendant votre entraînement.

FIN DE VOTRE ENTRAÎNEMENT

Lorsque votre entraînement est terminé, la console affichera « entraînement terminé » et émettra un bip. Les informations de votre entraînement resteront affichées sur la console pendant 60 secondes, puis réinitialisées.

POUR RÉINITIALISER LA CONSOLE

Appuyez sur la touche ►|| pendant 3 secondes.

POUR EFFACER LA SÉLECTION EN COURS

Pour effacer la sélection de programme ou l'écran en cours, appuyez sur le bouton ►|| pendant 3 secondes.

INFORMATIONS SUR LE PROGRAMME

- MANUEL:** Vous permet d'ajuster le niveau de résistance selon vos préférences, sans programme prédéfini. Réglez votre résistance manuellement pendant votre entraînement. L'utilisateur définit le temps et la résistance à l'aide des flèches (haut/bas) puis ENTRÉE.
- INTERVALLES :** Améliore votre force, votre vitesse et votre endurance en augmentant et en abaissant les niveaux de résistance tout au long de votre entraînement pour impliquer à la fois votre cœur et vos muscles. Programme basé sur le temps avec 12 niveaux au choix.

INTERVALLES																				
Secondes	Échauffement				Segments de programme-Répétition												Repos			
	60	60	60	60	30	60	60	30	30	60	30	60	60	30	30	60	60	60	60	60
Segment	1	2	3	4	5	6	7	8	9	10	11	12	13	14	15	16	17	18	19	20
Niveau 1	1	2	2	3	5	1	1	5	5	1	5	1	1	5	5	1	3	2	2	1
Niveau 2	1	2	2	3	6	2	2	6	6	2	6	2	2	6	6	2	3	2	2	1
Niveau 3	1	2	2	4	7	3	3	7	7	3	7	3	3	7	7	3	4	2	2	1
Niveau 4	1	2	2	5	8	4	4	8	8	4	8	4	4	8	8	4	5	2	2	1
Niveau 5	2	3	5	6	9	5	5	9	9	5	9	5	5	9	9	5	6	5	3	2
Niveau 6	2	3	5	7	10	6	6	10	10	6	10	6	6	10	10	6	7	5	3	2
Niveau 7	2	3	5	8	11	7	7	11	11	7	11	7	7	11	11	7	8	5	3	2
Niveau 8	2	3	5	9	12	8	8	12	12	8	12	8	8	12	12	8	9	5	3	2
Niveau 9	3	4	5	10	13	9	9	13	13	9	13	9	9	13	13	9	10	5	4	3
Niveau 10	3	4	8	11	14	10	10	14	14	10	14	10	10	14	14	10	11	8	4	3
Niveau 11	3	6	10	12	15	11	11	15	15	11	15	11	11	15	15	11	12	10	6	3
Niveau 12	3	6	10	13	16	12	12	16	16	12	16	12	12	16	16	12	13	10	6	3

- PERTE DE POIDS :** Favorise la perte de poids en augmentant et diminuant le niveau de résistance, tout en vous maintenant dans votre zone de combustion des graisses. Programme basé sur le temps avec 12 niveaux au choix. L'utilisateur définit le temps et le niveau à l'aide de (flèches haut / bas) et ENTER. Veuillez boire suffisamment d'eau pendant et après l'exercice pour améliorer les résultats de la perte de poids.

PERTE DE POIDS																				
Secondes	Échauffement				Segments de programme-Répétition												Repos			
	60	60	60	60	60	60	60	60	60	60	60	60	60	60	60	60	60	60	60	60
Segment	1	2	3	4	5	6	7	8	9	10	11	12	13	14	15	16	17	18	19	20
Niveau 1	1	2	2	3	3	3	4	4	5	5	5	4	4	3	3	3	3	2	2	1
Niveau 2	1	2	2	3	4	4	5	5	6	6	6	5	5	4	4	3	2	2	2	1
Niveau 3	1	2	2	4	5	5	6	6	7	7	7	6	6	5	5	4	2	2	2	1
Niveau 4	1	2	2	5	6	6	7	7	8	8	8	7	7	6	6	5	2	2	2	1
Niveau 5	2	3	5	6	7	7	8	8	9	9	9	8	8	7	7	6	5	3	2	2
Niveau 6	2	3	5	7	8	8	9	9	10	10	10	9	9	8	8	7	5	3	2	2
Niveau 7	2	3	5	8	9	9	10	10	11	11	11	10	10	9	9	8	5	3	2	2
Niveau 8	2	3	5	9	10	10	11	11	12	12	12	11	11	10	10	9	5	3	2	2
Niveau 9	3	4	5	10	11	11	12	12	13	13	13	12	12	11	11	10	5	4	3	2
Niveau 10	3	4	8	11	12	12	13	13	14	14	14	13	13	12	12	11	8	4	3	2
Niveau 11	3	6	10	12	13	13	14	14	15	15	15	14	14	13	13	12	10	6	3	2
Niveau 12	3	6	10	13	14	14	15	15	16	16	16	15	15	14	14	13	10	6	3	2

- VALLONNÉ :** Maintient le poids en augmentant et en abaissant progressivement le niveau de résistance pour augmenter et réduire progressivement votre fréquence cardiaque.

VALLONNÉ																		
Secondes	Échauffement				Segments de programme-Répétition								Repos					
	60	60	60	60	30	30	30	30	30	30	30	30	30	30	60	60	60	60
Segment	1	2	3	4	5	6	7	8	9	10	11	12	13	14	15	16	17	18
Niveau 1	1	1	2	2	1	2	3	4	3	2	1	2	3	2	1	1	1	1
Niveau 2	1	2	2	3	2	3	4	5	4	3	2	1	2	3	2	1	1	1
Niveau 3	2	2	3	3	3	4	5	6	7	8	7	6	5	4	2	1	1	1
Niveau 4	2	3	3	4	4	5	6	7	8	9	8	7	6	5	3	1	1	1
Niveau 5	3	4	4	4	5	6	7	8	9	10	9	8	7	6	3	3	2	1
Niveau 6	3	5	4	5	6	7	8	9	10	10	9	8	7	4	3	2	1	1
Niveau 7	4	5	5	5	7	7	8	8	9	9	10	10	9	8	4	3	2	1
Niveau 8	4	5	5	5	8	8	9	9	10	10	11	11	10	9	4	3	2	1
Niveau 9	4	5	5	5	9	9	10	10	11	11	12	12	11	10	5	4	3	1
Niveau 10	4	5	6	6	10	10	11	11	12	12	13	13	12	11	6	5	4	1
Niveau 11	4	5	7	7	11	11	12	12	13	13	14	14	13	12	6	5	4	1
Niveau 12	4	5	8	8	12	12	13	13	14	14	15	15	14	13	7	6	5	1
Niveau 13	4	5	9	9	13	13	14	14	15	15	16	16	15	14	7	6	5	1
Niveau 14	4	5	9	9	14	14	15	15	16	16	17	17	16	15	8	7	6	1

- 5) **CADENCE** : Programme basé sur un graphique spécialement conçu qui simulera la résistance en train d'être modifiée de manière aléatoire.

Secondes	CADENCE																			
	Échauffement				Segments de programme-Répétition												Repos			
	60	60	60	60	90	45	90	30	45	90	30	45	90	30	45	90	60	60	60	60
Segment	1	2	3	4	5	6	7	8	9	10	11	12	13	14	15	16	17	18	19	20
Niveau 1	2	1	1	2	3	2	3	1	2	3	1	2	3	1	2	3	2	1	1	1
Niveau 2	1	1	1	2	4	3	4	2	3	4	2	3	4	2	3	4	2	1	1	1
Niveau 3	1	1	1	2	5	4	5	3	4	5	3	4	5	3	4	5	2	1	1	1
Niveau 4	1	1	1	3	6	5	6	4	5	6	4	5	6	4	5	6	3	1	1	1
Niveau 5	1	2	3	3	7	6	7	5	6	7	5	6	7	5	6	7	3	3	2	1
Niveau 6	1	2	3	4	8	7	8	6	7	8	6	7	8	6	7	8	4	3	2	1
Niveau 7	1	2	3	4	9	8	9	7	8	9	7	8	9	7	8	9	4	3	2	1
Niveau 8	1	2	3	5	10	9	10	8	9	10	8	9	10	8	9	10	5	3	2	1
Niveau 9	1	1	1	2	11	10	11	9	10	11	9	10	11	9	10	11	2	1	1	1
Niveau 10	1	1	1	2	12	11	12	10	11	12	10	11	12	10	11	12	2	1	1	1
Niveau 11	2	2	2	3	13	12	13	11	12	13	11	12	13	11	12	13	2	1	1	1
Niveau 12	3	3	3	4	14	13	14	12	13	14	12	13	14	12	13	14	3	1	1	1
Niveau 13	3	4	4	5	15	14	15	13	14	15	13	14	15	13	14	15	3	3	2	1
Niveau 14	3	4	5	6	16	15	16	14	15	16	14	15	16	14	15	16	4	3	2	1

- 6) **OBJECTIF DE DISTANCE** : Changement de résistance et tous les segments tous les 0,16 km et répétition (l'échauffement ne se répète pas).

DISTANCE	OBJECTIF DE DISTANCE														
	Échauffement				Segments de programme-Répétition										
	0,16 km	0,16 km	0,16 km	0,16 km	0,16 km	0,16 km	0,16 km	0,16 km	0,16 km	0,16 km	0,16 km	0,16 km	0,16 km	0,16 km	0,16 km
Segment	1	2	3	4	5	6	7	8	9	10	11	12	13	14	
Niveau 1	1	1	1	1	1	1	1	1	1	1	1	1	1	1	
Niveau 2	1	2	2	3	3	5	7	4	6	7	4	5	6	3	
Niveau 3	2	2	3	3	4	6	8	5	7	8	5	6	7	4	
Niveau 4	2	3	3	4	6	8	10	7	9	10	7	8	9	6	
Niveau 5	3	4	4	4	8	10	12	9	11	12	9	10	11	8	
Niveau 6	3	5	4	5	10	12	14	11	13	14	11	12	13	10	
Niveau 7	4	5	5	5	11	13	15	12	14	15	12	13	14	11	
Niveau 8	4	5	5	5	13	15	17	14	16	17	14	15	16	13	
Niveau 9	4	5	5	5	15	17	19	16	18	19	16	17	18	15	
Niveau 10	4	5	6	6	16	18	20	17	19	20	17	18	19	16	

- 7) **OBJECTIF DE CALORIES** : Changement de résistance et tous les segments toutes les de 20 calories et répétition (l'échauffement ne se répète pas).

CALORIES	OBJECTIF DE CALORIES															
	Échauffement				Segments de programme-Répétition											
	20 cal	20 cal	20 cal	20 cal	20 cal	20 cal	20 cal	20 cal	20 cal	20 cal	20 cal	20 cal	20 cal	20 cal	20 cal	
Segment	1	2	3	4	5	6	7	8	9	10	11	12	13	14		
Niveau 1	1	1	1	1	1	1	1	1	1	1	1	1	1	1		
Niveau 2	1	2	2	3	3	5	7	4	6	7	4	5	6	3		
Niveau 3	2	2	3	3	4	6	8	5	7	8	5	6	7	4		
Niveau 4	2	3	3	4	6	8	10	7	9	10	7	8	9	6		
Niveau 5	3	4	4	4	8	10	12	9	11	12	9	10	11	8		
Niveau 6	3	5	4	5	10	12	14	11	13	14	11	12	13	10		
Niveau 7	4	5	5	5	11	13	15	12	14	15	12	13	14	11		
Niveau 8	4	5	5	5	13	15	17	14	16	17	14	15	16	13		
Niveau 9	4	5	5	5	15	17	19	16	18	19	16	17	18	15		
Niveau 10	4	5	6	6	16	18	20	17	19	20	17	18	19	16		

- 8) **DÉFI** : Pendant cet entraînement, enregistrez un record en fonction de la valeur du programme de l'objectif de distance. Comparez la vitesse entre le sport et le record par 0,16 km. Par exemple, la vitesse du premier 0,16 km du record est de 10, alors que la distance du premier 0,16 km de ce sport est de 11. Dans le deuxième 0,16 km, l'icône de mouvement du sport avancera de deux grilles, le record n'avancera que d'une. Autrement dit, plus rapide = deux grilles en avant, plus lent = une seule grille en avant.
- 9) **ZONE FCC** : Simulez l'intensité de votre sport pendant que la résistance du programme s'ajuste automatiquement pour maintenir une plage de Fréquence Cardiaque Cible définie. (Suggérez l'utilisation de la ceinture thoracique Bluetooth avec ce programme. Vous pouvez acheter la ceinture thoracique séparément auprès de votre revendeur).

RÉGLAGE DE LA RÉSISTANCE		
Fréquence cardiaque	Fonction Résistance	Réglage de la résistance
20+ sous la cible	Augmenter toutes les 10 secondes	1
6-19 sous cible	Augmenter toutes les 35 secondes	1
+/- 5 de la cible	Aucun changement	0
6-10 au-dessus de la cible	Diminuer toutes les 35 secondes	1
11-19 au-dessus de la cible	Diminuer toutes les 10 secondes	1
20-24 au-dessus de la cible	Diminuer toutes les 10 secondes	Moitié du niveau actuel
25+ au-dessus de la cible	Réinitialisation de la console	Réinitialisation N/A

10) PERSONNALISÉ1 : Entraînement personnalisé, le temps par défaut est de 15 minutes.

- 1) Entrez d'abord le réglage du programme et l'affichage du profil vous guidera à travers toute la colonne d'entraînement.
- 2) Utilisez les flèches supérieure et inférieure pour modifier la résistance et appuyez sur Entrée pour confirmer.
La console affichera votre numéro de segment actuel et vous guidera du segment 1 au segment 15.
- 3) Une fois tous les réglages terminés, appuyez sur DÉMARRER pour commencer.



ÉCONOMIE D'ÉNERGIE (MODE VEILLE)

Cette machine a une fonction spéciale appelée mode d'économie d'énergie (Energy Saver). Ce mode n'est PAS activé automatiquement. Lorsque le mode Économie d'énergie est activé, l'écran passe automatiquement en mode veille (mode Économie d'énergie) après 15 minutes d'inactivité. Cette fonctionnalité permet d'économiser de l'énergie en désactivant la majeure partie du courant de la machine jusqu'à ce qu'une touche soit enfoncée sur la console.



Élimination des déchets

Les produits HORIZON Fitness sont recyclables.

À la fin de sa durée de vie, veuillez éliminer ce produit de manière correcte et sûre (déchetterie locale).

