



Art.Nr. 2941703



**BT5.1**



**OWNER'S MANUAL  
BEDIENUNGSANLEITUNG  
GEBRUIKERSHANDLEIDING  
MANUEL D'UTILISATION**

3	ENGLISH
43	DEUTSCH
83	NEDERLANDS
123	FRANÇAIS

# IMPORTANT PRECAUTIONS



## SAVE THESE INSTRUCTIONS

Read this EXERCISE BIKE GUIDE before using the OWNER'S MANUAL. When using an electrical product, basic precautions should always be followed, including the following: Read all instructions before using this exercise bike. It is the responsibility of the owner to ensure that all users of this exercise bike are adequately informed of all warnings and precautions. If you have any questions after reading this guide, contact Your local dealer.



## DANGER

### TO REDUCE THE RISK OF ELECTRICAL SHOCK:

Always unplug the exercise bike from the electrical outlet immediately after using, before cleaning, performing maintenance and putting on or taking off parts.



## WARNING

### TO REDUCE THE RISK OF BURNS, FIRE, ELECTRICAL SHOCK OR INJURY TO PERSONS:

- If you experience any kind of pain, including but not limited to chest pains, nausea, dizziness, or shortness of breath, stop exercising immediately and consult your physician before continuing.
- When exercising, always maintain a comfortable pace.
- To maintain balance, it is recommended to keep a grip on the handlebars while exercising, mounting or dismounting the machine.
- Keep hands and feet clear at all times from moving parts to avoid injury. Never turn the pedal cranks by hand.
- Do not wear clothes that might catch on any part of the exercise bike.
- Do not use the exercise bike without proper footwear. NEVER operate the exercise bike with bare feet.
- Do not jump on the exercise bike.
- Do not dismount the exercise bike until the pedals are at a complete STOP.
- At no time should more than one person be on the exercise bike while in operation.
- This exercise bike should not be used by persons weighing more than the specified user capacity in the OWNER'S MANUAL WARRANTY SECTION. Failure to comply will void the warranty.
- This exercise bike is intended for in-home use only. Do not use this exercise bike in any commercial, rental, school or institutional setting. Failure to comply will void the warranty.
- The exerciser complies with the EN957-1/-5 standard, class of exerciser: HB; braking system is adjustable.
- Do not use exercise bike in any location that is not temperature controlled, such as but not limited to porches, pool rooms, bathrooms, car ports or outdoors. Failure to comply will void the warranty.
- To prevent electrical shock, never drop or insert any object into any opening.
- Ensure that adjustment levers (seat and handlebar fore-and-aft) are properly secured and do not interfere with range of motion during exercise.



## **WARNING**

### **TO REDUCE THE RISK OF BURNS, FIRE, ELECTRICAL SHOCK OR INJURY TO PERSONS:**

- Connect this exercise product to a properly grounded outlet only.
- Keep power cord away from heated surfaces. Do not carry this unit by its supply cord or use the cord as a handle.
- Do not use other attachments that are not recommended by the manufacturer. Attachments may cause injury.
- Do not operate where aerosol (spray) products are being used or when oxygen is being administered.
- Use the exercise bike only as described in the exercise bike guide and owner's manual.
- Disconnect all power before servicing or moving the equipment. To clean, wipe surfaces down with soap and slightly damp cloth only; never use solvents. (See MAINTENANCE)
- The exercise bike should never be left unattended when plugged in. Unplug from outlet when not in use, and before putting on or taking off parts.
- Do not operate under blanket or pillow. Excessive heating can occur and cause fire, electric shock, or injury to persons.
- At NO time should children under the age of 13 or pets be within 3m /10 feet of the machine.
- At NO time should children under the age of 13 use the exercise bike.
- Children over the age of 13 or disabled persons should not use the exercise bike without adult supervision.
- Never operate the exercise bike if it has a damaged cord or plug, if it is not working properly, if it has been dropped or damaged, or immersed in water. Return the exercise bike to a service center for examination and repair.
- Keep power cord away from heated surfaces. Do not carry this unit by its supply cord or use the cord as a handle.
- To disconnect, turn all controls to the off position, then remove plug from outlet.
- Do not remove the console covers unless instructed by Your local dealer. Service should only be done by an authorized service technician



## GROUNDING INSTRUCTIONS



If an exercise bike should malfunction or breakdown, grounding provides a path of least resistance for electrical current to reduce the risk of electrical shock. This product is equipped with a cord having an equipment-grounding conductor and a grounding plug. The plug must be plugged into an appropriate outlet that is properly installed and grounded in accordance with local codes and ordinances.

Improper connection of the equipment-grounding conductor can result in a risk of electric shock. Check with a qualified electrician or serviceman if you are in doubt as to whether the product is properly grounded. Do not modify the plug provided with the product. If it will not fit the outlet, have a proper outlet installed by a qualified electrician.

It is essential that your exercise bike is used only indoors, in a climate controlled room. If your exercise bike has been exposed to colder temperatures or high moisture climates, it is strongly recommended that the exercise bike is warmed up to room temperature before first time use. Failure to do so may cause premature electronic failure.

# BASIC OPERATION



## CONGRATULATIONS ON CHOOSING YOUR EXERCISE BIKE!

You've taken an important step in developing and sustaining an exercise program! Your exercise bike is a tremendously effective tool for achieving your personal fitness goals. Regular use of your exercise bike can improve the quality of your life in so many ways.

Here are just a few of the health benefits of exercise:

- Weight loss
- A healthier heart
- Improved muscle tone
- Increased daily energy levels

The key to reaping these benefits is to develop an exercise habit. Your new exercise bike will help you eliminate obstacles that prevent you from exercising. Inclement weather and darkness won't interfere with your workout when you use your exercise bike in the comfort of your home. This guide provides you with basic information for using and enjoying your new machine.



## LOCATION OF THE EXERCISE BIKE

Place the exercise bike on a level surface. There should be 3 feet of clearance behind the exercise bike, 3 feet on each side and one foot in front for the power cord. Do not place the exercise bike in any area that will block any vent or air openings. The exercise bike should not be located in a garage, covered patio, near water or outdoors.

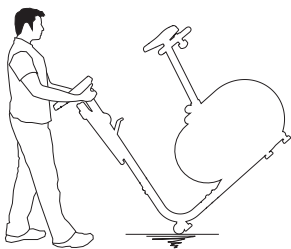
## MOVING THE EXERCISE BIKE

Your exercise bike has a pair of transport wheels built into the front stabilizer tube. Remove the power supply before attempting to move the bike.

## WARNING

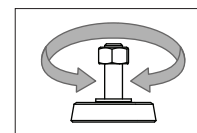
Our exercise bikes are heavy, use care and additional help if necessary when moving. Failure to follow these instructions could result in injury.

**UPRIGHT BIKES:** firmly grasp the handlebars, carefully tip toward you, and roll on the transport wheels.

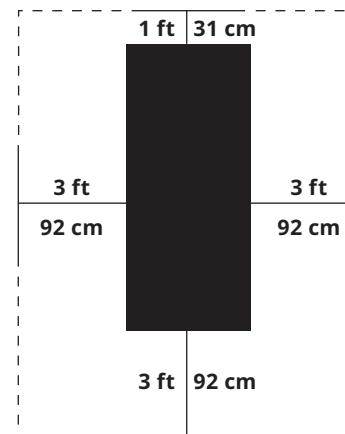


## LEVELING THE EXERCISE BIKE

Your exercise bike should be level for optimum use. Place your exercise bike where you intend to use it. Adjust the two rear levelers so that the bike is level on the floor. Then adjust the third leveler located under the base frame tube just so it is snug with the floor. Once you have leveled your exercise bike, lock the levelers in place by tightening the nuts against the frame. Actual levelers may differ from image below and may not include the lock.



**ADJUST HEIGHT**



## SEAT POSITIONING

To determine proper seat position, sit on the seat and position the ball of your foot on the center of the pedal. Your knee should bend slightly at the furthest pedal position. You should be able to pedal without locking your knees or shifting your weight from side to side.

NOTE: It is recommended that you do not sit on the seat while adjusting its position.



### UPRIGHT BIKES - SEAT ADJUSTMENT

Upright Bikes feature a locking seat adjustment pin to easily and safely adjust the seat height. To adjust, get off the bike seat and loosen the adjustment knob by turning it two half turns counter-clockwise. Pull out the knob to unlock the post, and adjust the post up or down to the desired setting. Release the knob to lock in place. Turn the knob clockwise until tightened. Please check to be sure seat post is locked in place before each use.



## POWER

Your exercise bike is powered by a power supply. The power must be plugged into the power jack, which is located in the front of the machine near the stabilizer tube. Unplug cord when not in use.



## WARNING

Never operate product if it has a damaged cord or plug, if it is not working properly, if it has been damaged, or immersed in water. Contact Your local dealer for examination and repair.

## USING THE HEART RATE FUNCTION

Your exercise bike could be equipped with either heart rate pulse grips or a thumb pulse sensor. To find out what your model has, refer to the beginning of the ASSEMBLY section of your OWNER'S MANUAL.

The heart rate function on this product is not a medical device. While heart rate grips or a thumb pulse sensor can provide a relative estimation of your actual heart rate, they should not be relied on when accurate readings are necessary. Some people, including those in a cardiac rehab program, may benefit from using an alternate heart rate monitoring system like a chest or wrist strap. Various factors, including movement of the user, may affect the accuracy of your heart rate reading. The heart rate reading is intended only as an exercise aid in determining heart rate trends in general. Please consult your physician.

## PULSE GRIPS

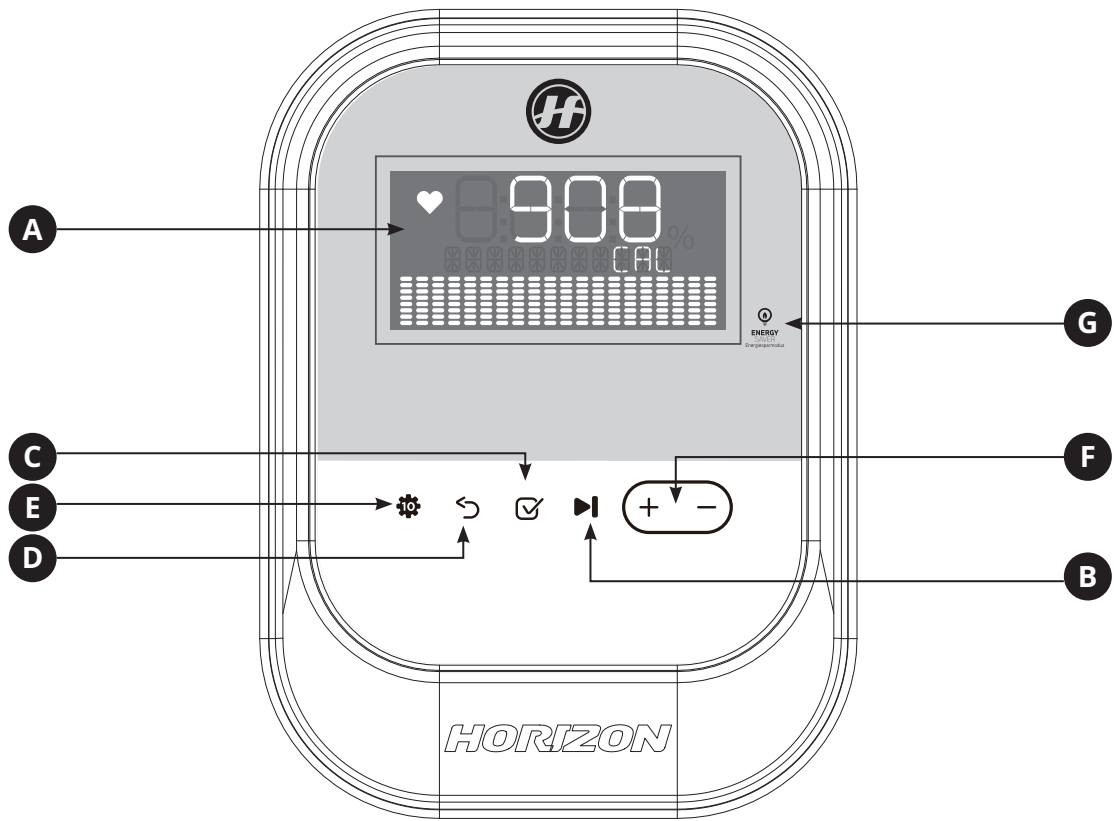
Place the palm of your hands directly on the grip pulse handlebars. Both hands must grip the bars for your heart rate to register. It takes 5 consecutive heart beats (15-20 seconds) for your heart rate to register. When gripping the pulse handlebars, do not grip tightly. Holding the grips tightly may elevate your blood pressure. Keep a loose, cupping hold. You may experience an erratic readout if consistently holding the grip pulse handlebars. Make sure to clean the pulse sensors to ensure proper contact can be maintained.

# CONSOLE OPERATION



ENGLISH

11



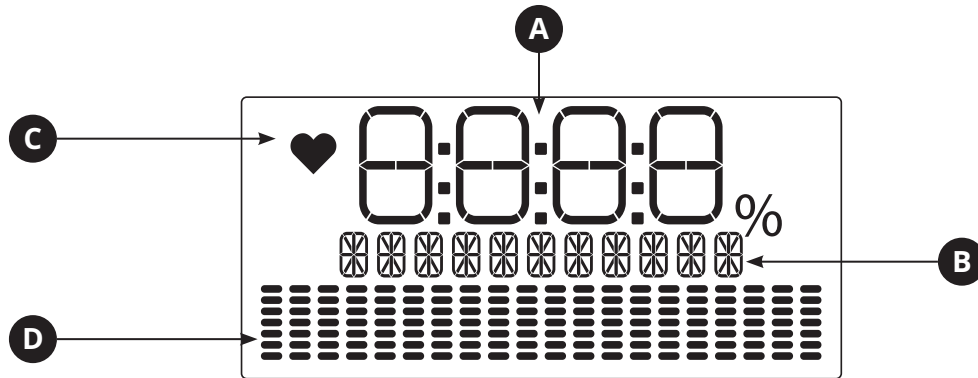




## BT 5.1 CONSOLE OPERATION

Note: There is a thin protective sheet of clear plastic on the overlay of the console that should be removed before use.

- A) **LCD DISPLAY WINDOW:** TIME, SPEED, DISTANCE, CALORIES, WATTS, HR, RPM, RESISTANCE LEVEL
- B) **START AND STOP BUTTON:** PRESS TO BEGIN EXERCISING, PAUSE YOUR WORKOUT OR RESUME EXERCISING AFTER PAUSE. HOLD FOR 3 SECONDS TO RESET THE CONSOLE
- C) **ENTER:** PRESS TO CONFIRM SELECTION DURING PROGRAMING SETUP. OR PRESS TO CHANGE DISPLAY DURING EXERCISE. OR PRESS AND HOLD FOR 3 SECONDS TO ALLOW CONSOLE TO CHANGE THE DISPLAY IN SEQUENCE AUTOMATICALLY
- D) **BACK:** PRESS TO GO BACK TO LAST SELECTION
- E) **PROGRAMS:** PRESS TO SELECT WORKOUT
- F) **RESISTANCE LEVEL:** PRESS TO ADJUST THE RESISTANCE LEVEL OR TO ADJUST THE VALUE IN THE SETTING SCREEN
- G) **ENERGY SAVER:** INDICATES IF MACHINE IS IN ENERGY SAVE MODE



## DISPLAY WINDOWS

- A) **WORKOUT INFORMATION:** SHOW TIME, SPEED, DISTANCE, CALORIES, WATTS, HR, RPM, RESISTANCE LEVEL.
- B) **MEASUREMENT OF WORKOUR:** SHOW AS KM, KM/H, CAL, ETC.
- C) **HEART RATE:** WHEN CONTACT IS MADE WITH BOTH PULSE GRIPS, THE HEART RATE ICON IS BLINKING IN PULSE WINDOW.
- D) **PROGRAM PROFILE:** REPRESENT THE PROFILE OF THE PROGRAM BEING USED .

## PROGRAM INFORMATION

10 Programs (Manual, Intervals, Weight Loss, Weight Loss Plus, Rolling, Candance, Random, Constant Watts, THR Zone, %THR, Custom)



- 1) **MANUAL:** Allows you to adjust the resistance level to your preference, without a preset program. Adjust your resistance manually during your workout. User sets time and resistance using (up/down arrow) and ENTER.
- 2) **INTERVALS:** Improves your strength, speed, and endurance by raising and lowering the resistance levels throughout your workout to involve both your heart and muscles. Time based program with 16 levels to choose from. User sets time and level using (up/down arrows) and ENTER.
- 3) **WEIGHT LOSS**
- 4) **WEIGHT LOSS PLUS :** Promotes weight loss and weight loss plus by increasing and decreasing the resistance, while keeping you in your fat burning zone. Time based program with different levels to choose from and greater intensity than the weight loss program. User sets time and level using (up/down arrows) and ENTER. Please drink enough water while and after doing exercise to enhance the weight loss results.
- 5) **ROLLING:** Maintains weight by gradually raising and lowering the resistance level to gradually raise and lower your heart rate.
- 6) **CANDANCE:** Special training program to build your muscle. This program will gradually increases resistance level and prompt you to high speed, or medium speed, or low speed to help you reach your fitness goal.
- 7) **RANDOM :** Special designed chart based program that will simulate resistance being changed randomly.
- 8) **THR ZONE:** Simulate the intensity of your favorite sport as the program resistance automatically adjusts to maintain a set Target Heart Rate range.



- 1) Select THR Zone program using ▲▼ and press ENTER.
- 2) Select TIME using ▲▼ and press ENTER.
- 3) The HEART RATE window will flash showing the default target heart rate of 80 beats per minute. Select your target heart rate (from heart rate training chart) using ▲▼ and press ENTER.
- 4) Press START ►|| to begin.

### HEART RATE TRAINING

The first step in knowing the right intensity for your training is to find out your maximum heart rate (max HR = 220 – your age). The age-based method provides an average statistical prediction of your max HR and is a good method for the majority of people, especially those new to heart rate training. The most precise and accurate way of determining your individual max HR is to have it clinically tested by a cardiologist or exercise physiologist through the use of a maximal stress test. If you are over the age of 40, overweight, have been sedentary for several years, or have a history of heart disease in your family, clinical testing is recommended. This chart gives examples of the heart rate range for a 30 year old exercising at 5 different heart rate zones. For example, a 30-year-old's max HR is  $220 - 30 = 190$  bpm and 90% max HR is  $190 \times 0.9 = 171$  bpm.

- 9) **% THR:** Benefits weight loss by maintaining an optimum exercise level to burn fat, while adjusting the resistance to keep you in your target heart rate zone. First set up your personal data (your machine will automatically calculate your maximum workout heart rate) and select the percentage you wish to workout base on your maximum heart rate

Note: The heart rate program is base on your heart rate target. Resistance will change automatically according to your pedaling speed and make sure you keep your workout in your target heart rate. Please do not pedal too slow or too fast. If you are out of the target zone LCD will show arrow sign beside RPM column to tell you to adjust your speed. Upper arrow for speed up your RPM and arrow down for slowing down your workout.

**10) CUSTOM:** Customized workout, time defaults to 30 minutes.

- 1) First enter the program setting and profile display will guide you through all the workout column.
- 2) Use upper and lower arrow to change the resistance and press enter to confirm. Console will display your current segment number and guide you through segment 1 to segment 20.
- 3) After finish all setting press START ►|| to begin.



# PROGRAM CHARTS



INTERVALS																						
	Warm Up				Program Segments - Repeat												Cool down					
Seconds	60	60	60	60	30	60	60	30	30	60	30	60	30	30	60	60	60	60	60	60	60	60
Level	1	2	3	4	5	6	7	8	9	10	11	12	13	14	15	16	17	18	19	20	20	20
1	1	2	2	3	4	5	1	1	5	5	1	5	1	1	5	5	1	3	2	2	1	
2	1	2	2	3	6	2	2	6	6	2	6	2	2	6	6	2	3	2	2	2	1	
3	1	2	2	4	7	3	3	7	7	3	7	3	3	7	7	3	4	2	2	2	1	
4	1	2	2	5	8	4	4	8	8	4	8	4	4	8	8	4	5	2	2	2	1	
5	2	3	5	6	9	5	5	9	9	5	9	5	5	9	9	5	6	5	3	2		
6	2	3	5	7	10	6	6	10	10	6	10	6	6	10	10	6	7	5	3	2		
7	2	3	5	8	11	7	7	11	11	7	11	7	7	11	11	7	8	5	3	2		
8	2	3	5	9	12	8	8	12	12	8	12	8	8	12	12	8	9	5	3	2		
9	3	4	5	10	13	9	9	13	13	9	13	9	9	13	13	9	10	5	4	3		
10	3	4	8	11	14	10	10	14	14	10	14	10	10	14	14	10	11	8	4	3		
11	3	6	10	12	15	11	11	15	15	11	15	11	11	15	15	11	12	10	6	3		
12	3	6	10	13	16	12	12	16	16	12	16	12	12	16	16	12	13	10	6	3		
13	5	9	13	14	17	13	13	17	17	13	17	13	13	17	17	13	14	13	9	5		
14	5	9	13	15	18	14	14	18	18	14	18	14	14	18	18	14	15	13	9	5		
15	5	9	13	16	19	15	15	19	19	15	19	15	15	19	19	15	16	13	9	5		
16	5	9	13	17	20	16	16	20	20	16	20	16	16	20	20	16	17	13	9	5		

WEIGHT LOSS																						
	Warm Up				Program Segments - Repeat												Cool down					
Seconds	60	60	60	60	60	60	60	60	60	60	60	60	60	60	60	60	60	60	60	60	60	60
Level	1	2	3	4	5	6	7	8	9	10	11	12	13	14	15	16	17	18	19	20	20	20
1	1	2	2	3	3	3	4	4	5	5	5	5	4	4	3	3	3	2	2	1		
2	1	2	2	3	4	4	5	5	6	6	6	6	5	5	4	4	3	2	2	1		
3	1	2	2	4	5	5	6	6	7	7	7	7	6	6	5	5	4	2	2	1		
4	1	2	2	5	6	6	7	7	8	8	8	8	7	7	6	6	5	2	2	1		
5	2	3	5	6	7	7	8	8	9	9	9	9	8	8	7	7	6	5	3	2		
6	2	3	5	7	8	8	9	9	10	10	10	10	9	9	8	8	7	5	3	2		
7	2	3	5	8	9	9	10	10	11	11	11	11	10	10	9	9	8	5	3	2		
8	2	3	5	9	10	10	11	11	12	12	12	12	11	11	10	10	9	5	3	2		
9	3	4	5	10	11	11	12	12	13	13	13	13	12	12	11	11	10	5	4	3		
10	3	4	8	11	12	12	13	13	14	14	14	14	13	13	12	12	11	8	4	3		
11	3	6	10	12	13	13	14	14	15	15	15	15	14	14	13	13	12	10	6	3		
12	3	6	10	13	14	14	15	15	16	16	16	16	15	15	14	14	13	10	6	3		



WEIGHT LOSS PLUS																						
		Warm Up				Program Segments - Repeat												Cool down				
Seconds	Level	60	60	60	60	60	60	60	60	60	60	60	60	60	60	60	60	60	60	60	60	
1	1	2	2	3	4	5	6	7	8	9	10	11	12	13	14	15	16	17	18	19	20	
2	1	2	2	3	4	4	5	5	6	6	6	6	6	5	4	4	3	3	3	2	2	1
3	1	2	2	4	5	5	6	6	7	7	7	7	6	6	5	5	4	4	2	2	2	1
4	1	2	2	5	6	6	7	7	8	8	8	8	7	7	6	6	5	5	2	2	2	1
5	2	3	5	6	7	7	8	8	9	9	9	9	8	8	7	7	6	5	3	3	2	2
6	2	3	5	7	8	8	9	9	10	10	10	10	9	9	8	8	7	5	3	2	2	2
7	2	3	5	8	9	9	10	10	11	11	11	11	10	10	9	9	8	5	3	2	2	2
8	2	3	5	9	10	10	11	11	12	12	12	12	11	11	10	10	9	5	3	2	2	2
9	3	4	5	10	11	11	12	12	13	13	13	13	12	12	11	11	10	5	4	3	2	2
10	3	4	8	11	12	12	13	13	14	14	14	14	13	13	12	12	11	8	4	3	2	2
11	3	6	10	12	13	13	14	14	15	15	15	15	14	14	13	13	12	10	6	3	2	2
12	3	6	10	13	14	14	15	15	16	16	16	16	15	15	14	14	13	10	6	3	2	2
13	5	9	13	14	15	15	16	16	17	17	17	17	16	16	15	15	14	13	9	5	2	2
14	5	9	13	15	16	16	17	17	18	18	18	18	17	17	16	16	15	13	9	5	2	2
15	5	9	13	16	17	17	18	18	19	19	19	19	18	18	17	17	16	13	9	5	2	2
16	5	9	13	17	18	18	19	19	20	20	20	20	19	19	18	18	17	13	9	5	2	2

ROLLING																						
		Warm Up				Program segments - Repeat												Cool Down				
Seconds	Level	60	60	60	60	30	30	30	30	30	30	30	30	30	30	30	30	30	60	60	60	60
1	1	1	1	2	4	5	6	7	8	9	10	11	12	13	14	15	16	17	18	19	20	
2	1	1	1	3	2	3	4	5	2	3	4	5	2	3	4	5	3	1	1	1	1	
3	2	2	2	3	3	4	5	6	3	4	5	6	3	4	5	6	3	2	2	2	2	
4	2	2	2	4	4	5	6	7	4	5	6	7	4	5	6	7	4	2	2	2	2	
5	3	3	3	4	5	6	7	8	5	6	7	8	5	6	7	8	5	4	3	3	3	
6	3	3	3	5	6	7	8	9	6	7	8	9	6	7	8	9	5	3	3	3	3	
7	4	4	4	5	7	8	9	10	7	8	9	10	7	8	9	10	5	4	4	4	4	
8	4	4	4	6	8	9	10	11	8	9	10	11	8	9	10	11	6	4	4	4	4	
9	5	5	5	6	9	10	11	12	9	10	11	12	9	10	11	12	6	5	5	5	5	
10	5	5	5	7	10	11	12	13	10	11	12	13	10	11	12	13	7	5	5	5	5	
11	5	5	6	7	11	12	13	14	11	12	13	14	11	12	13	14	7	6	5	5	5	
12	6	6	6	8	12	13	14	15	12	13	14	15	12	13	14	15	8	6	6	6	6	
13	6	6	7	8	13	14	15	16	13	14	15	16	13	14	15	16	8	7	6	6	6	
14	6	7	7	9	14	15	16	16	14	15	16	16	14	15	16	16	9	7	7	6	6	
15	6	7	8	9	15	16	16	16	15	16	16	16	15	16	16	16	9	8	7	6	6	



CANDANCE																				
Seconds	60	60	60	60	30	60	90	60	90	45	60	90	90	30	30	60	60	60	60	
	Warm up												Cool down							
Level	1	2	3	4	F	R	F	R	F	R	F	R	F	R	F	R	F	R	F	R
1	1	1	1	2	3	2	3	1	2	3	1	2	3	1	2	3	2	1	1	1
2	1	1	1	2	4	3	4	2	3	4	2	3	4	2	3	4	2	1	1	1
3	1	1	1	2	5	4	5	3	4	5	3	4	5	3	4	5	2	1	1	1
4	1	1	1	3	6	5	6	4	5	6	4	5	6	4	5	6	3	1	1	1
5	1	2	3	3	7	6	7	5	6	7	5	6	7	5	6	7	3	3	2	1
6	1	2	3	4	8	7	8	6	7	8	6	7	8	6	7	8	4	3	2	1
7	1	2	3	4	9	8	9	7	8	9	7	8	9	7	8	9	4	3	2	1
8	1	2	3	5	10	9	10	8	9	10	8	9	10	8	9	10	5	3	2	1
9	1	1	1	2	11	10	11	9	10	11	9	10	11	9	10	11	2	1	1	1
10	1	1	1	2	12	11	12	10	11	12	10	11	12	10	11	12	2	1	1	1
11	2	2	2	3	13	12	13	11	12	13	11	12	13	11	12	13	2	1	1	1
12	3	3	3	4	14	13	14	12	13	14	12	13	14	12	13	14	3	1	1	1
13	3	4	4	5	15	14	15	13	14	15	13	14	15	13	14	15	3	3	2	1
14	3	4	5	6	16	15	16	14	15	16	14	15	16	14	15	16	4	3	2	1

RANDOM																				
Seconds	Warm up				Program Segments										Cool down					
Level	1	2	3	4	60	60	60	60	60	60	60	60	60	60	60	60	60	60	60	60
1	1	1	2	2	1	3	5	2	4	7	2	3	6	1	1	1	1	1	1	
2	1	2	2	3	2	4	6	3	5	8	3	4	7	2	2	1	1	1	1	
3	2	2	3	3	3	5	7	4	6	9	4	5	8	3	2	1	1	1	1	
4	2	3	3	4	4	6	8	5	7	10	5	6	9	4	3	1	1	1	1	
5	3	4	4	4	5	7	9	6	8	11	6	7	10	5	3	3	2	1	1	
6	3	5	4	5	6	8	10	7	9	12	7	8	11	6	4	3	2	1	1	
7	4	5	5	5	7	9	11	8	10	13	8	9	12	7	4	3	2	1	1	
8	4	5	5	5	8	10	12	9	11	14	9	10	13	8	4	3	2	1	1	
9	4	5	5	5	9	11	13	10	12	15	10	11	14	9	5	4	3	1	1	
10	4	5	6	6	10	12	14	11	13	16	11	12	15	10	5	4	3	1	1	
11	4	5	7	7	11	13	15	12	14	17	12	14	16	11	6	5	4	1	1	
12	4	5	8	8	12	14	16	13	15	18	13	14	17	12	6	5	4	1	1	
13	4	5	9	9	13	15	17	14	16	19	14	15	18	13	7	6	5	1	1	
14	4	5	9	9	14	16	18	15	17	20	15	16	19	14	7	6	5	1	1	

Target Heart Rate Zone	Workout Duration	Example THR Zone (age 30)	Your THR Zone	Recommended For
VERY HARD 90-100%	< 5 MIN	171-190 BPM		Fit persons and for athletic training
HARD 80-90%	2-10 MIN	152-171 BPM		Shorter workouts
MODERATE 70-80%	10-40 MIN	133-152 BPM		Moderately long workouts
LIGHT 60-70%	40-80 MIN	114-133 BPM		Longer and frequently repeated shorter exercises
VERY LIGHT 50-60%	20-40 MIN	104-114 BPM		Weight management and active recovery



# ASSEMBLY



## ⚠ WARNING

There are several areas during the assembly process that special attention must be paid. It is very important to follow the assembly instructions correctly and to make sure all parts are firmly tightened. If the assembly instructions are not followed correctly, the elliptical could have frame parts that are not tightened and will seem loose and may cause irritating noises. To prevent damage to the elliptical, the assembly instructions must be reviewed and corrective actions should be taken.

Before proceeding, find your elliptical's serial number located on the front stabilizer tube and enter it in the space provided below. Also locate the model name which is next to the serial number.

ENTER YOUR SERIAL NUMBER AND MODEL NAME IN THE BOXES BELOW:

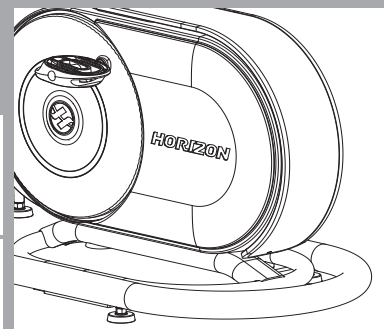
SERIAL NUMBER:

--	--	--	--	--	--	--	--	--	--	--	--	--	--	--	--	--	--	--	--	--

MODEL NAME:

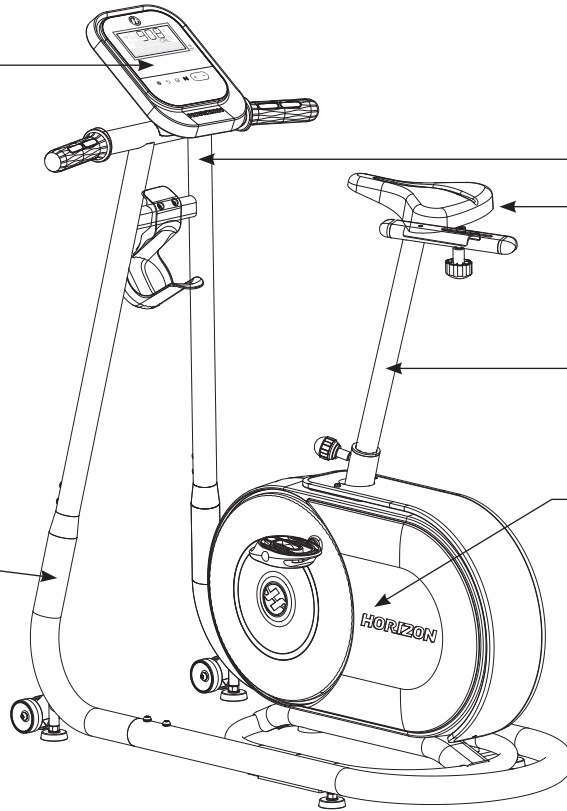
--	--	--	--	--	--	--	--	--	--	--	--	--	--	--	--	--	--

## SERIAL NUMBER LOCATION





**CONSOLE**



**CONSOLE MAST SET**

**SADDLE**

**SEAT POST**

**MAIN FRAME**

**STABILIZER**

## TOOLS INCLUDED:

- Allen Wrench/L4
- Allen Wrench + Screw Driver/L6

## PARTS BOX INCLUDED:

- Main Frame
- Stabilizer-L
- Stabilizer-R
- Seat Post
- Saddle
- Console Mast Set
- Console

# PRE ASSEMBLY



## UNPACKING

Unpack the product where you will be using it. Place the elliptical carton on a level flat surface. It is recommended that you place a protective covering on your floor. Never open box when it is on its side.

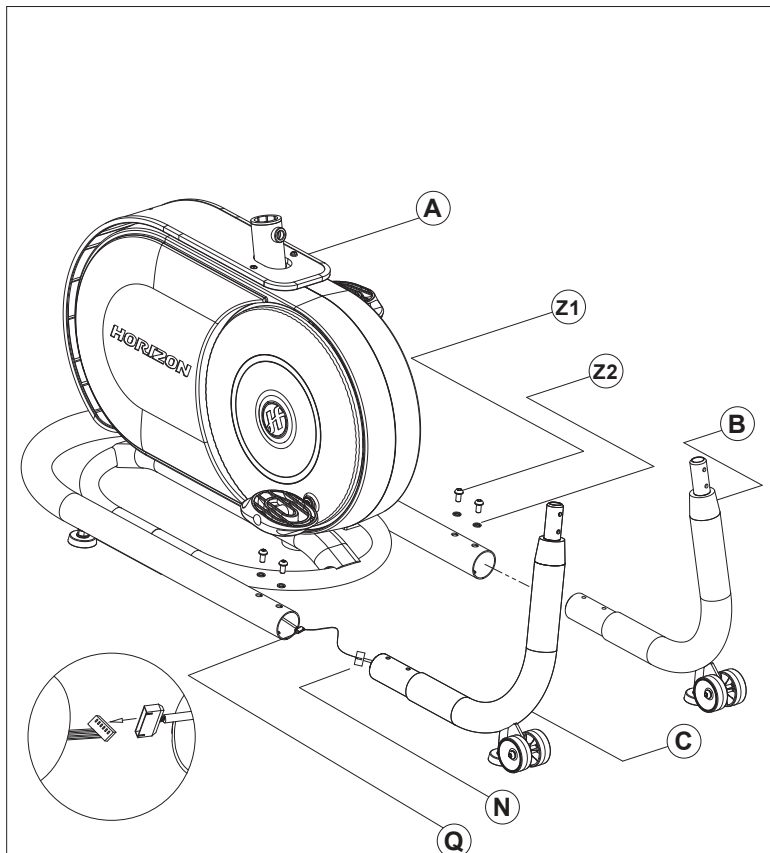
## IMPORTANT NOTES

- It is recommended that two people work together for ease and efficiency while assembling an elliptical.
- During each assembly step, ensure that ALL nuts and bolts are in place and partially threaded. It is recommended you complete the full assembly of your unit before completely tightening any ONE bolt.
- Several parts have been pre-lubricated to aid in assembly and usage. Please do not wipe this off. If you have difficulty, a light application of lithium bike grease is recommended.

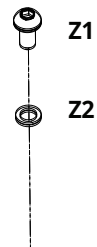
## NEED HELP?

If you have questions or if there are any missing parts, contact Customer Tech Support. Contact information is located on the back panel of this manual.

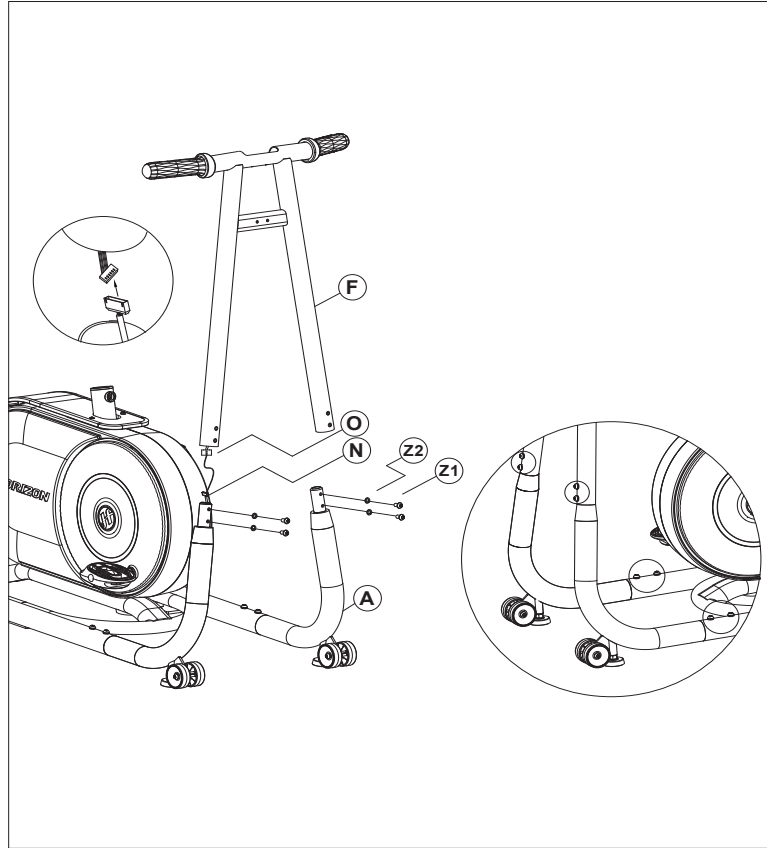
# ASSEMBLY STEP 1



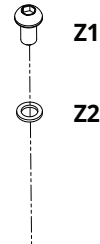
- A Connect **CONSOLE WIRE-LOWER (Q)** and **CONSOLE WIRE-MIDDLE (N)**
- B Attach **STABILIZER-R (C)** to **MAIN FRAM (A)** and screw by 2 x **HARDWARE ASSEMBLY (Z1+Z2)**, please do not tighten the screws at this step.
- C Attach **STABILIZER-L (B)** to **MAIN FRAM (A)** and screw by 2 x **HARDWARE ASSEMBLY (Z1+Z2)**, please do not tighten the screws at this step.



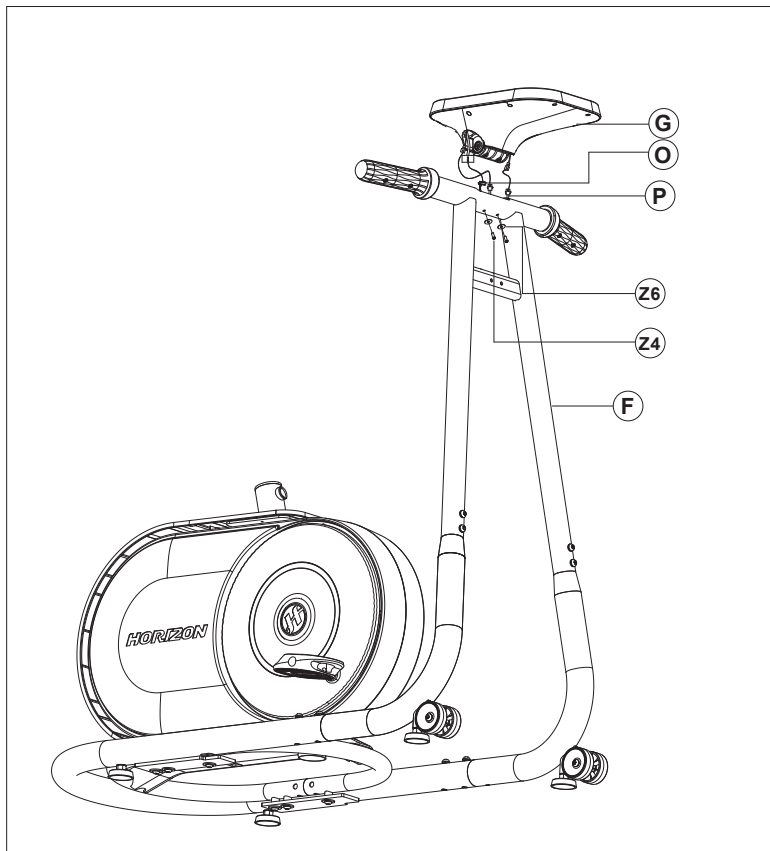
## ASSEMBLY STEP 2



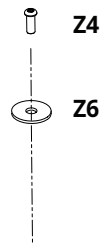
- A Attach **CONSOLE WIRE-MIDDLE (N)** and **CONSOLE WIRE-UPPER (O)**
- B Slide the **CONSOLE MAST SET (F)** to **STABILIZER-R (C)** and **STABILIZER-L (B)**
- C Attach 2 x **HARDWARE ASSEMBLY (Z1+Z2)** to the **STABILIZER-R (C)** and repeat on the left side, please do not tighten the screws at this step



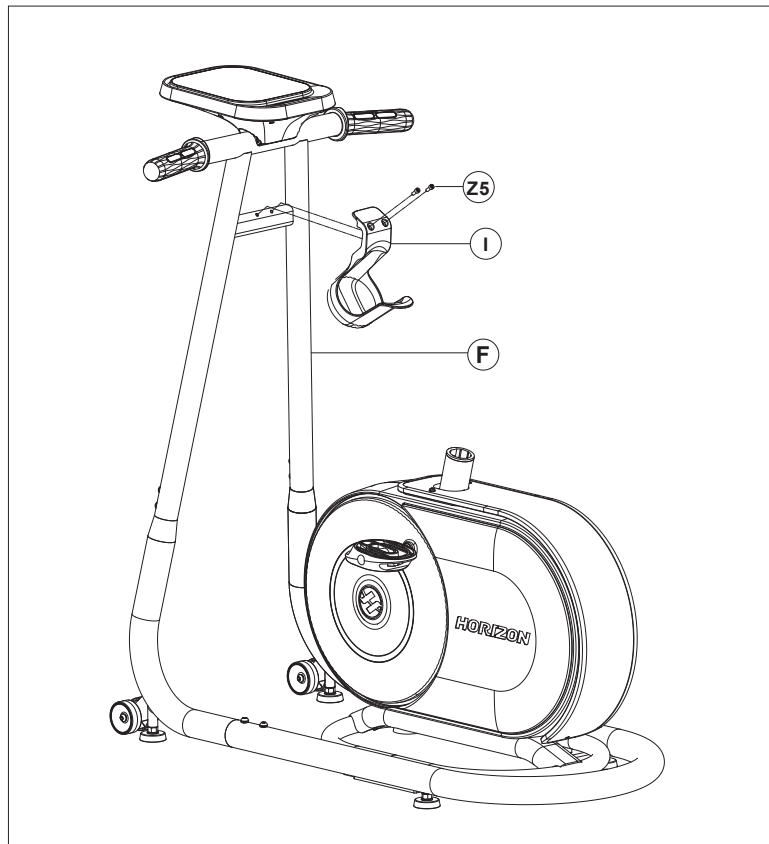
## ASSEMBLY STEP 3



- A Connect **CONSOLE WIRE-UPPER (O)** and **HR WIRE-UPPER (P)** to the **CONSOLE (G)**
- B Attach the **CONSOLE (G)** to **CONSOLE MAST SET (F)** and tighten by 2 x **HARDWARE ASSEMBLY (Z4+Z6)**



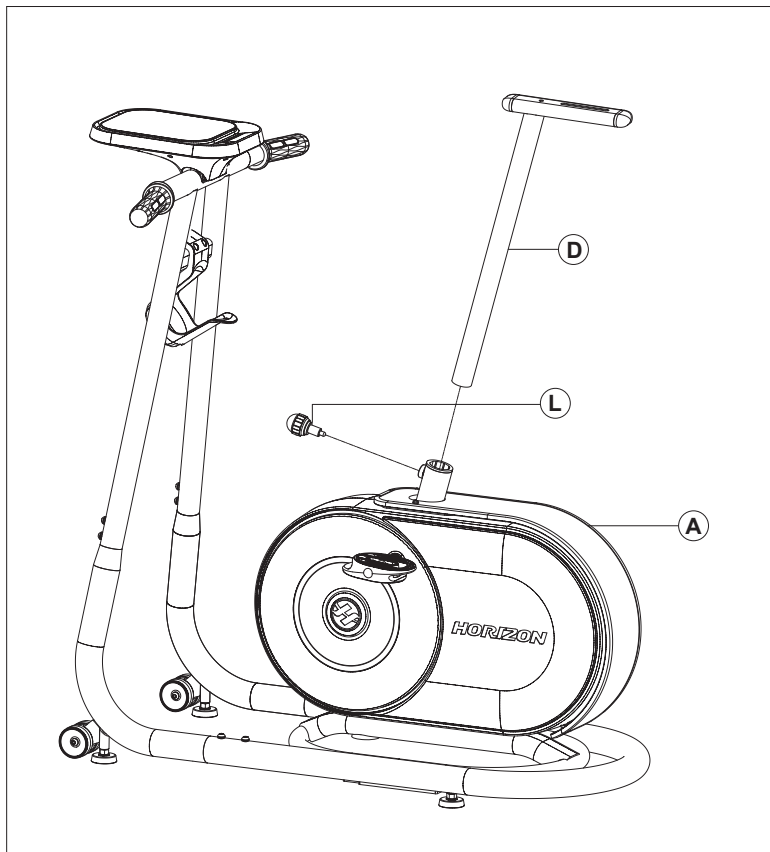
## ASSEMBLY STEP 4



- A Attach **WATER BOTTLE HOLDER (I)** to the **CONSOLE MAST SET (F)** and tighten by 2 x **SCREW (Z5)**



## ASSEMBLY STEP 5

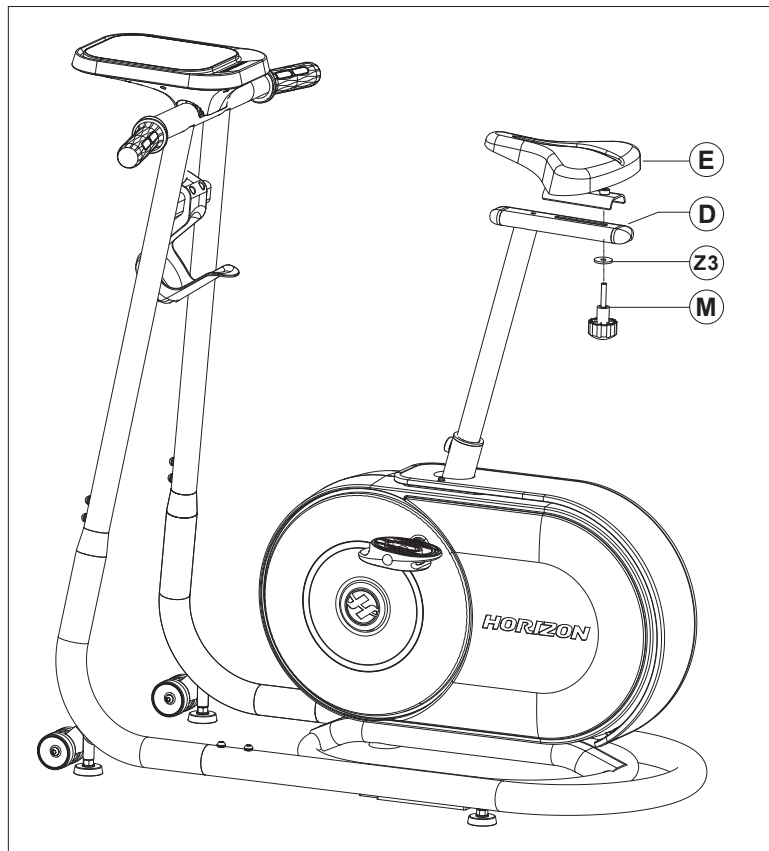


- A Slide the **SEAT POST (D)** to the **MAIN FRAME (A)** and tighten by **HEIGHT ADJUST KNOB (L)**.





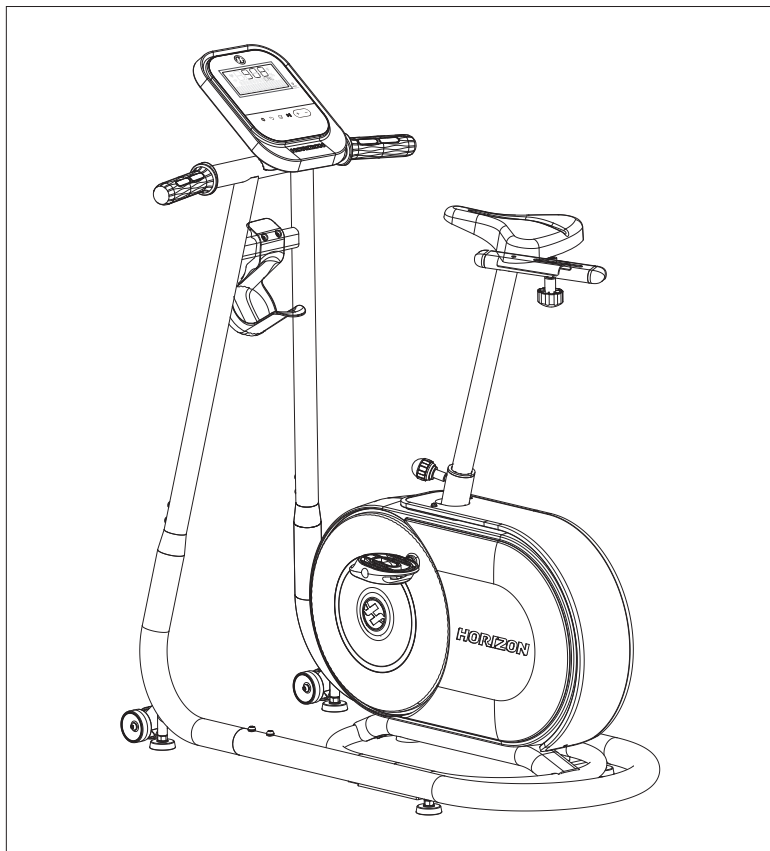
## ASSEMBLY STEP 6



- A Attach **SADDLE (E)** to **SEAT POST (D)** then tighten by **SEAT ADJUST KNOB (M)** and **FLAT WASHER (Z3)**



## ASSEMBLY STEP 7



**ASSEMBLY COMPLETE!**

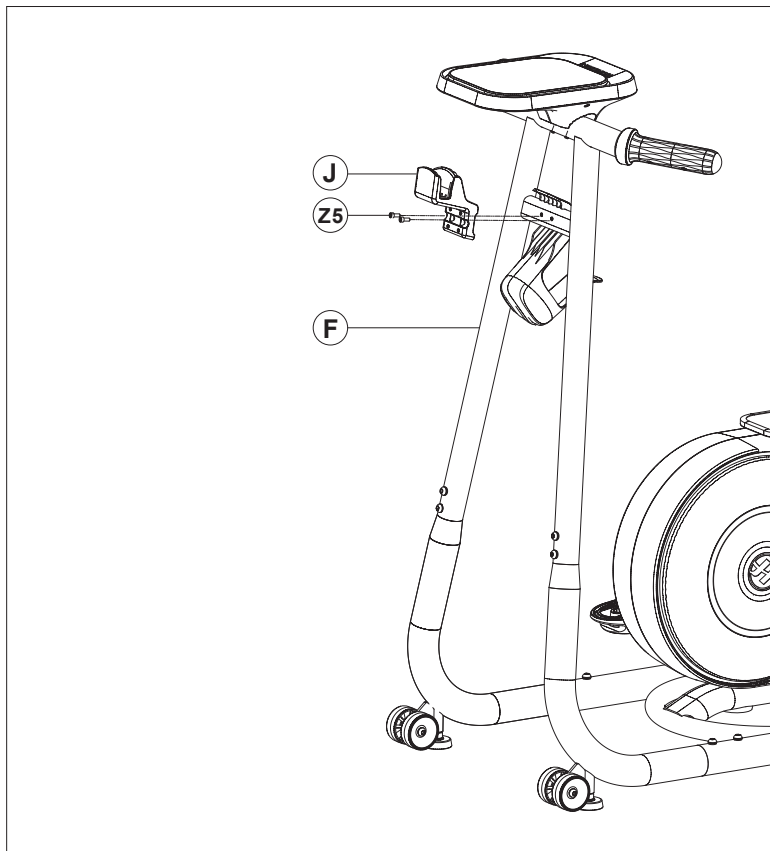


# OPTIONAL ACCESSORIES ASSEMBLY



ENGLISH

## OPTIONAL ACCESSORIES

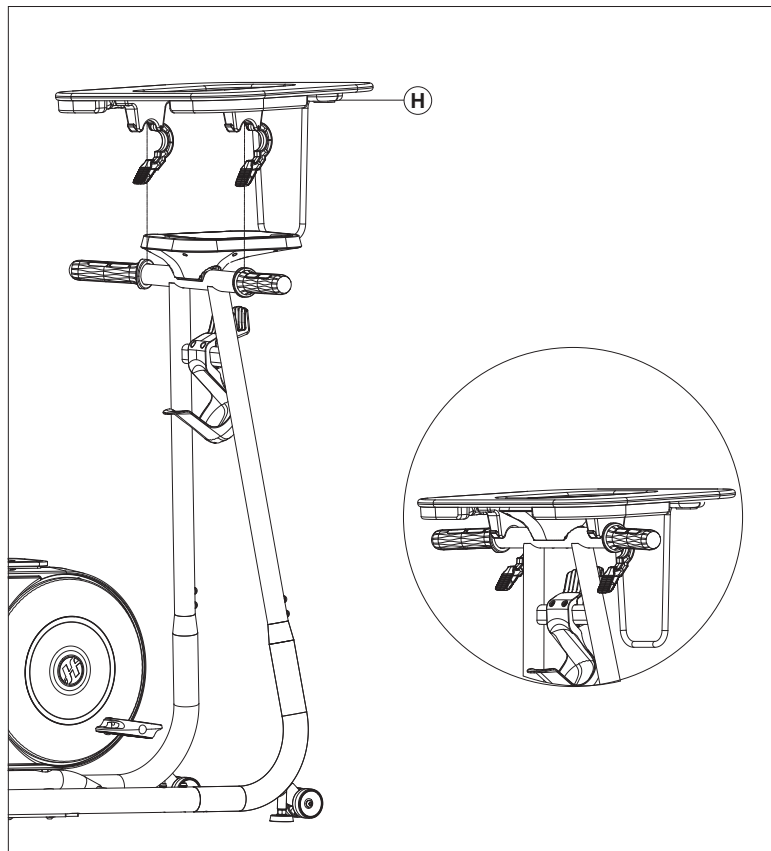


### DESK TRAY STEP 1

- A Attach **DESK TRAY HOLDER (J)** to **CONSOLE MAST SET (F)** and tighten by 2 x **SCREW (Z5)**



## OPTIONAL ACCESSORIES

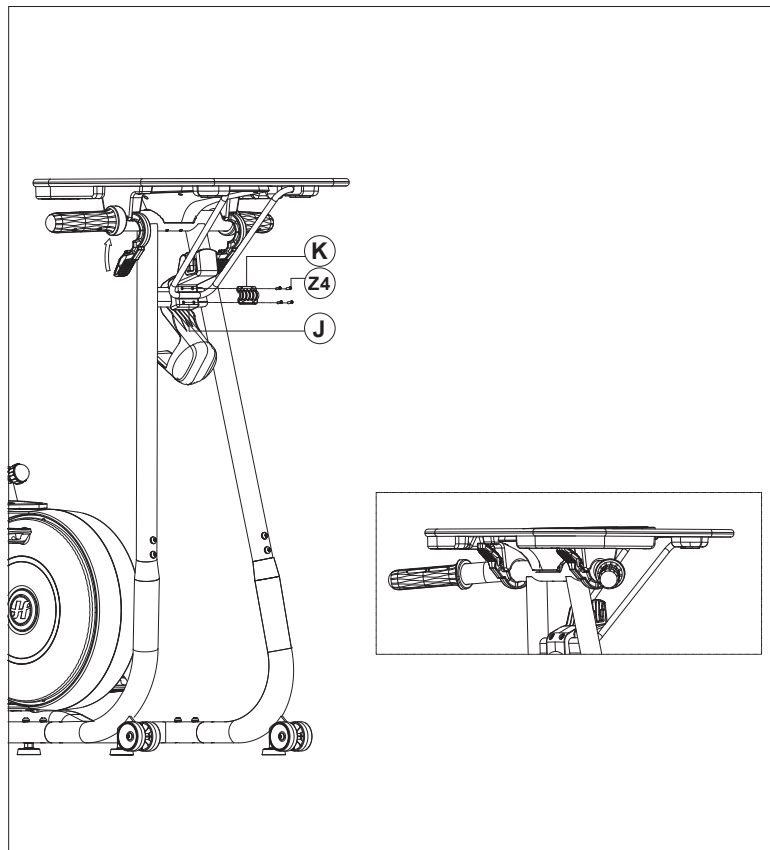


### DESK TRAY STEP 2



- A Fold down the **CONSOLE** in horizontal and put the **DESK TRAY** on the handlebar

## OPTIONAL ACCESSORIES

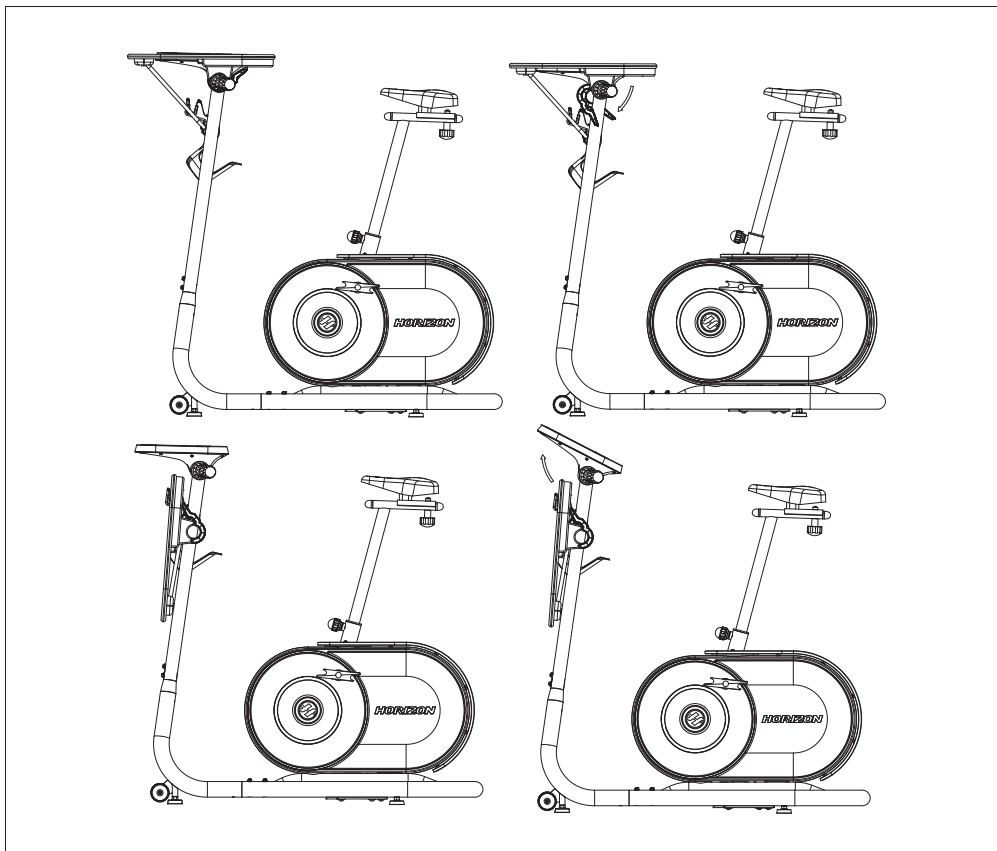


### DESK TRAY STEP 3

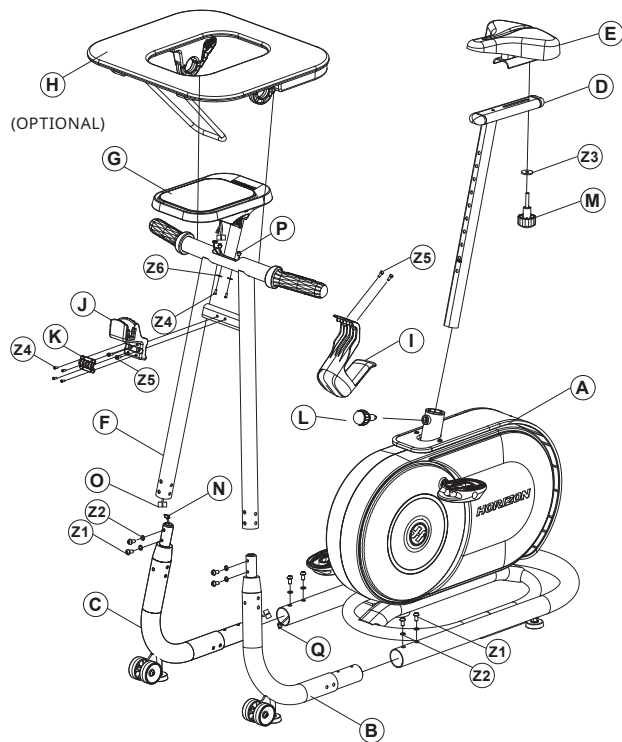
- A Attach the handle of **DESK TRAY** to **DESK TRAY HOLDER (J)** and fix **DESK TRAY HOLDER COVER (K)** by 4 x **SCREW (Z4)**
- B Buckle the safety lock.



# OPTIONAL ACCESSORIES



## BT5.1 EXPLODED VIEW



## BT5.1 PARTS LIST

NO.	DESCRIPTION	QTY
A	MAIN FRAME	1
B	STABILIZER-L	1
C	STABILIZER-R	1
D	SEAT POST	1
E	SADDLE	1
F	CONSOLE MAST SET	1
G	CONSOLE	1
H	DESK TRAY (OPTIONAL)	1
I	WATER BOTTLE HOLDER	1
J	DESK TRAY HOLDER (OPTIONAL)	1
K	DESK TRAY HOLDER COVER (OPTIONAL)	1
L	HEIGHT ADJUST KNOB	1
M	SEAT ADJUST KNOW	1
N	CONSOLE WIRE-MIDDLE (L=800mm)	1
O	CONSOLE WIRE-UPPER (L=800mm)	1
P	HR WIRE(L=260mm)	2
Q	CONSOLE WIRE-LOWER (L=1200MM)	1
Z1	SCREW M8*15	8
Z2	FLAT WASHER Ø8.5*Ø16*T1.5	8
Z3	FLAT WASHER Ø8.5*Ø30* T3.0	1
Z4	SCREW M4*10	6
Z5	SCREW M5*12	4
Z6	FLAT WASHER Ø4*Ø14* T1.0	2



# TROUBLESHOOTING & MAINTENANCE



NOTE: Following instructions might vary according to the model you buy. Please contact your local dealer for further information.

## COMMON PRODUCT QUESTIONS



### ARE THE SOUNDS MY EXERCISE BIKE MAKES NORMAL?

Our exercise bikes are some of the quietest available because they use belt drives and friction free magnetic resistance. We use the highest grade bearings and belts to minimize noise. However, because the resistance system itself is so quiet, you will occasionally hear other slight mechanical noises. Unlike older, louder technologies, there are no fans, friction belts, or alternator noises to mask these sounds on our exercise bikes. These mechanical noises, which may or may not be intermittent, are normal and are caused by the transfer of significant amounts of energy to a rapidly spinning flywheel. All bearings, belts and other rotating parts will generate some noise which will transmit through the casing and frame. It is also normal for these sounds to change slightly during a workout and over time because of thermal expansion of the parts.

### WHY IS THE EXERCISE BIKE I HAD DELIVERED LOUDER THAN THE ONE AT THE STORE?

All fitness products seem quieter in a large store showroom because there is generally more background noise than in your home. Also, there will be less reverberation on a carpeted concrete floor than on a wood overlay floor. Sometimes a heavy rubber mat will help reduce reverberation through the floor. If a fitness product is placed close to a wall, there will be more reflected noise.

### HOW LONG WILL THE DRIVE BELT LAST?

The computer modeling we have done indicated virtually thousands of maintenance free hours. You should not have to replace the belt as long as you have the exercise bike.

### CAN I MOVE THE EXERCISE BIKE EASILY ONCE IT IS ASSEMBLED?

Your exercise bike has a pair of transport wheels built into the front stabilizer tube. Please follow the MOVING THE EXERCISE BIKE section to transport your exercise bike. It is important that you place your exercise bike in a comfortable and inviting room. Your exercise bike is designed to use minimal floor space. Many people will place their exercise bikes facing the TV or a picture window. If at all possible, avoid putting your exercise bike in an unfinished basement. To make exercise a desirable daily activity for you, the exercise bike should be in a comfortable setting.

## BASIC TROUBLESHOOTING



**PROBLEM:** The console does not light up.

**SOLUTION:** Verify the following:

- The outlet the machine is plugged into is functional. Double check that the breaker has not tripped.
- The correct power cord is being used. Only use the power cord included or provided by Your local dealer.
- The power cord is not pinched or damaged and is properly plugged into the outlet AND the machine.
- Unplug power cord, remove the console and check that all connections to the console are secure and not damaged or pinched.

**PROBLEM:** The console lights up but the Distance/Watts/RPMs do not count.

**SOLUTION:** Verify the following:

- Unplug power cord, remove the console and check that all connections to the console are secure and not damaged or pinched.
- If doing the above does not fix the problem, the speed sensor and/or magnet may have become dislodged or damaged.

**PROBLEM:** The resistance levels seem to be incorrect, seeming too hard or too easy.

**SOLUTION:** Verify the following:

- The correct power cord is being used. Only use the power cord provided or authorized by Your local dealer.
- Reset the console and allow the resistance to reset to the default position. Restart and retry the resistance levels.

**PROBLEM:** The exercise bike makes a squeaking or chirping noise.

**SOLUTION:** Verify the following:

- The exercise bike is on a level surface.
- Loosen all bolts attached during the assembly process, grease the threads, and tighten again.



**PROBLEM:** When MP3 player is connected there is no sound coming from the speakers or the speakers sound fuzzy.

**SOLUTION:** Make sure audio cable is plugged in securely to both the console and MP3 Player jacks.

## TROUBLESHOOTING HEART RATE

Check your exercise environment for sources of interference such as fluorescent lights, computers, underground fencing, home security systems or appliances containing large motors. These items may cause erratic heart rate readouts.

You may experience an erratic readout under the following conditions:

- Gripping the heart rate handlebars too tight. Try to maintain moderate pressure while holding onto the heart rate handlebars.
- Constant movement and vibration due to constantly holding the heart rate handlebars while exercising. If you are receiving erratic heart rate readouts, try to only hold the grips long enough to monitor your heart rate.
- When you are breathing heavily during a workout.
- When your hands are constricted by wearing a ring.
- When your hands are dry or cold. Try to moisten your palms by rubbing them together to warm.
- Anyone with heavy arrhythmia.
- Anyone with arteriosclerosis or peripheral circulation disorder.
- Anyone whose skin on the measuring palm is especially thick.

If this troubleshooting section does not remedy the problem, discontinue use and turn the power off.  
**PLEASE CALL YOUR LOCAL DEALER.**



The following information may be asked of you when you call. Please have these items readily available:

- Model Name
- Serial Number
- Proof of Purchase (receipt or credit card statement)

In order for Your local dealer to service your exercise bike they may need to ask detailed questions about the symptoms that are occurring. Some troubleshooting questions that may be asked are:

- How long has this problem been occurring?
- Does this problem occur with every use? With every user?
- If you are hearing a noise, does it come from the front or the back? What kind of noise is it (thumping, grinding, squeaking, chirping etc.)?
- Has the machine been lubricated and maintained per the MAINTENANCE schedule?

Answering these and other questions will give the technicians the ability to send proper replacement parts and the service necessary to get you and your exercise bike running again!

## MAINTENANCE

### WHAT KIND OF ROUTINE MAINTENANCE IS REQUIRED?

We use sealed bearings throughout our bikes so lubrication is not needed. The most important maintenance step is to simply wipe your perspiration off the bike after each use.

### HOW DO I CLEAN MY BIKE?

Clean with soap and water cleaners only. Never use solvents on plastic parts. Cleanliness of your bike and its operating environment will keep maintenance problems and service calls to a minimum. For this reason, we recommend that the following preventive maintenance schedule be followed.

#### AFTER EACH USE (DAILY)

- Turn off the bike by unplugging the power cord from the wall outlet
- Wipe down the bike with a damp cloth. Never use solvents, as they can cause damage to the bike.
- Inspect the power cord. If the power cord is damaged, contact Your local dealer.
- Make sure the power cord is not underneath the bike or in any other area where it can become pinched or cut.



To remove power from the exercise bike, the power cord must be disconnected from the wall outlet.

#### EVERY WEEK

Clean underneath the bike, following these steps:

- Turn off the bike.
- Move the bike to a remote location.
- Wipe or vacuum any dust particles or other objects that may have accumulated underneath the bike.
- Return the bike to its previous position.

#### EVERY MONTH

- Inspect all assembly bolts and pedals on the machine for proper tightness.
- Clean any debris off of the seat guide rail.



# WICHTIGE VORSICHTSMASSNAHMEN



## BEWAHREN SIE DIESE ANLEITUNG SORGFÄLTIG AUF

Lesen Sie diese HEIMTRAINER-ANLEITUNG, bevor Sie die BEDIENUNGSANLEITUNG verwenden. Bei der Nutzung eines elektrischen Geräts müssen stets grundlegende Vorsichtsmaßnahmen ergriffen werden, darunter Folgendes: Lesen Sie vor der Nutzung dieses Heimtrainers alle Anweisungen. Der Eigentümer muss sicherstellen, dass alle Nutzer dieses Heimtrainers über alle Warnungen und Vorsichtsmaßnahmen informiert werden. Bestehen noch irgendwelche Fragen, nachdem Sie diese Anleitung gelesen haben, wenden Sie sich bitte an Ihren örtlichen Händler.



## GEFAHRENHINWEIS

### ZUR VERMEIDUNG VON STROMSCHLÄGEN:

Ziehen Sie unmittelbar nach der Nutzung sowie vor der Reinigung, Wartung oder der Demontage oder Montage von Teilen den Stecker des Heimtrainers aus der Steckdose.



## WARNUNG

### BEACHTEN SIE DIE FOLGENDEN ANWEISUNGEN ZUR REDUZIERUNG DER GEFAHR VON VERBRENNUNGEN, BRÄNDEN, STROMSCHLÄGEN ODER ANDEREN KÖRPERVERLETZUNGEN:

- Sollten Sie Schmerzen haben, beispielsweise Schmerzen in der Brust, Übelkeit, Schwindel oder Atemnot, beenden Sie sofort das Training und suchen Sie vor dem Fortsetzen des Trainings einen Arzt auf.
- Halten Sie beim Trainieren stets ein für Sie angenehmes Tempo.
- Um das Gleichgewicht zu halten, wird empfohlen, beim Üben, Aufsteigen oder Absteigen die Handgriffe festzuhalten.
- Halten Sie Hände und Füße immer von beweglichen Teilen fern, um Verletzungen zu vermeiden. Drehen Sie die Pedalkurbel niemals von Hand.
- Tragen Sie keine weite Kleidung, die sich in Bauteilen des Heimtrainers verfangen kann.
- Tragen Sie bei Nutzung des Heimtrainers immer angemessene Fußbekleidung. Bedienen Sie den Heimtrainer NIEMALS barfuß.
- Springen Sie nicht auf den Heimtrainer.
- Steigen Sie erst dann vom Heimtrainer ab, wenn die Pedale vollständig ZUM STILLSTAND gekommen sind.
- Während des Betriebs dürfen sich zu keinem Zeitpunkt mehrere Personen auf dem Heimtrainer befinden.
- Dieser Heimtrainer darf nicht von Personen verwendet werden, deren Körpergewicht das im GARANTIE-ABSCHNITT in der BEDIENUNGSANLEITUNG angegebene Gewicht überschreitet. Die Nichtbeachtung führt zum Erlöschen der Garantie.
- Dieser Heimtrainer ist ausschließlich für den Gebrauch in Innenräumen gedacht. Verwenden Sie den Heimtrainer nicht in gewerblichen, Miet-, Schul- oder Amtsgebäuden. Die Nichtbeachtung führt zum Erlöschen der Garantie.
- Der Heimtrainer entspricht der Norm EN957-1/-5 für Heimtrainer: HB; das Bremssystem ist einstellbar.
- Verwenden Sie den Heimtrainer nicht in unklimatisierten Räumen wie beispielsweise Vorhallen, Schwimmbädern, Saunen, Badezimmern, Carports oder in Außenbereichen. Die Nichtbeachtung führt zum Erlöschen der Garantie.
- Lassen Sie zur Vermeidung von Stromschlägen niemals Objekte in eine der Öffnungen fallen und führen Sie keine Objekte in diese ein.
- Achten Sie darauf, dass die Einstellhebel (Position nach vorn und nach hinten von Sattel- und Handgriff) richtig gesichert sind und nicht beim Üben mit dem Bewegungsradius in Konflikt geraten.



## **WARNUNG**

### **BEACHTEN SIE DIE FOLGENDEN ANWEISUNGEN ZUR REDUZIERUNG DER GEFAHR VON VERBRENNUNGEN, BRÄNDEN, STROMSCHLÄGEN ODER ANDEREN KÖRPERVERLETZUNGEN:**

- Schließen Sie dieses Trainingsgerät ausschließlich an eine ordnungsgemäß geerdete Netzsteckdose an.
- Halten Sie das Netzkabel von heißen Oberflächen fern. Tragen Sie das Gerät niemals am Netzkabel und verwenden Sie das Netzkabel nicht als Tragegriff.
- Verwenden Sie ausschließlich Zubehörteile, die vom Hersteller empfohlen sind. Zubehörteile können Verletzungen verursachen.
- Betreiben Sie das Gerät nicht, wenn in der Nähe sprühbare Produkte (Sprays) verwendet werden oder mit Sauerstoff gearbeitet wird.
- Verwenden Sie den Heimtrainer ausschließlich wie in der Heimtrainer-Anleitung und in der Bedienungsanleitung beschrieben.
- Trennen Sie die Stromversorgung vor Wartungsarbeiten oder vor dem Bewegen des Geräts vollständig. Reinigen Sie die Oberflächen mit Seife und einem nur leicht feuchten Lappen; verwenden Sie keine Lösemittel. (Siehe WARTUNG)
- Der Heimtrainer darf bei angeschlossener Netzversorgung nicht unbeaufsichtigt gelassen werden. Ziehen Sie bei einer Nichtverwendung sowie vor einem Ein- oder Ausbau von Bauteilen den Netzstecker.
- Betreiben Sie das Gerät nicht unter einer Decke oder einem Kissen. Hierbei könnte es zu einer Überhitzung kommen, wodurch Brand, Stromschlag oder Körperverletzungen verursacht werden können.
- Es dürfen sich zu KEINEM Zeitpunkt Kinder unter 13 Jahren oder Haustiere innerhalb von 3 m zum Gerät befinden.
- Der Heimtrainer darf zu KEINEM Zeitpunkt von Kindern unter 13 Jahren verwendet werden.
- Kinder über 13 Jahren oder körperbehinderte Personen dürfen den Heimtrainer nicht ohne Aufsicht eines Erwachsenen verwenden.
- Der Heimtrainer darf nicht verwendet werden, wenn das Kabel oder der Stecker beschädigt sind, er nicht ordnungsgemäß funktioniert oder wenn er umgefallen ist, beschädigt wurde oder in Wasser steht. Wenden Sie sich zwecks Überprüfung und Reparatur des Heimtrainers an den technischen Kundendienst.
- Halten Sie das Netzkabel von heißen Oberflächen fern. Tragen Sie das Gerät niemals am Netzkabel und verwenden Sie das Netzkabel nicht als Tragegriff.
- Schalten Sie zum Trennen sämtliche Steuerelemente in die Aus-Position, und ziehen Sie dann den Netzstecker.
- Nehmen Sie die Konsolenabdeckungen nicht ab, es sei denn, Sie wurden von Ihrem örtlichen Händler dazu aufgefordert. Servicearbeiten dürfen ausschließlich von einem autorisierten Servicetechniker durchgeführt werden.





## ANWEISUNGEN ZUR ERDUNG

Wenn an einem Heimtrainer eine Störung oder ein Defekt auftritt, bietet eine Erdleitung den geringsten Widerstand für elektrischen Strom, damit die Stromschlaggefahr reduziert wird. Dieses Gerät ist mit einem Kabel mit Geräteerdungsleiter und Erdungsstecker ausgestattet. Der Stecker muss in eine entsprechende Buchse eingesteckt werden, die gemäß örtlichen Bestimmungen und Gesetzen ordnungsgemäß installiert und geerdet ist.

Ein nicht ordnungsgemäßer Anschluss des Geräteerdungsleiters stellt Stromschlaggefahr dar. Lassen Sie bei Zweifeln einen ausgebildeten Elektriker oder eine Wartungsperson überprüfen, ob das Gerät ordnungsgemäß geerdet ist. Nehmen Sie an dem mitgelieferten Stecker keine Veränderungen vor. Wenn dieser nicht in die Buchse eingesteckt werden kann, lassen Sie die Buchse von einem ausgebildeten Elektriker austauschen.

Sie müssen unbedingt beachten, dass dieser Heimtrainer ausschließlich für den Gebrauch in klimatisierten Innenräumen vorgesehen ist. Wenn Ihr Heimtrainer niedrigeren Temperaturen oder hoher Feuchtigkeit ausgesetzt wurde, wird dringend empfohlen, dass der Heimtrainer sich vor der Inbetriebnahme auf Zimmertemperatur erwärmt. Eine Nichtbeachtung dieser Empfehlung kann zu einem vorzeitigen Ausfall der Elektronik führen.

# GRUNDLEGENDER BETRIEB



## HERZLICHEN GLÜCKWUNSCH ZUR WAHL IHRES HEIMTRAINERS!

Sie haben einen wichtigen Schritt unternommen, um ein Trainingsprogramm zu entwickeln und aufrechtzuerhalten! Ihr Heimtrainer ist ein unglaublich effektives Gerät zum Erreichen Ihrer persönlichen Fitnessziele. Die regelmäßige Verwendung Ihres Heimtrainers kann Ihre Lebensqualität in vielerlei Hinsicht verbessern.

Dies sind einige der gesundheitlichen Vorteile durch das Training:

- Gewichtsreduzierung
- Ein gesünderes Herz
- Verbessertes Muskeltonus
- Täglich mehr Energie

Der richtige Weg, um von diesen Vorteilen zu profitieren, ist die Gewöhnung an regelmäßiges Training. Ihr neuer Heimtrainer hilft Ihnen dabei, Hindernisse zu beseitigen, die Sie vom Trainieren abhalten. Schlechtes Wetter und Dunkelheit behindern Ihr Training nicht, da Sie Ihren Heimtrainer komfortabel zu Hause verwenden können. Diese Anleitung enthält alle grundlegenden Informationen zur zufriedenstellenden Verwendung Ihres neuen Geräts.



## STANDORT DES HEIMTRAINERS

Stellen Sie das Fahrradergometer auf eine ebene Fläche. Hinter dem Heimtrainer sollte ein Sicherheitsabstand von 1 m, sowie 1 m auf beiden Seiten und ca. 30 cm vor dem Gerät für das Stromkabel eingehalten werden. Stellen Sie das Fahrradergometer so auf, dass keine Luftöffnungen blockiert werden. Das Fahrradergometer darf nicht in Garagen, auf überdachten Terrassen, in der Nähe von Gewässern oder im Freien aufgestellt werden.

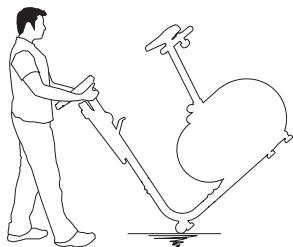
## BEWEGEN DES HEIMTRAINERS

Das Fahrradergometer verfügt im vorderen Stabilisatorrohr über zwei Transportrollen. Ziehen Sie den Stromstecker aus der Netzsteckdose, bevor Sie das Fahrradergometer bewegen.

## WARNUNG

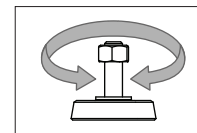
Unsere Fahrradergometer sind schwer, deshalb gehen Sie beim Bewegen vorsichtig vor und holen Sie bei Bedarf Hilfe hinzu. Eine Nichtbeachtung dieser Anweisungen kann Verletzungen zur Folge haben.

**HEIMTRAINER:** Halten Sie die Handgriffe fest, kippen Sie den Heimtrainer vorsichtig in Ihre Richtung, und rollen Sie ihn auf den Transportrollen.

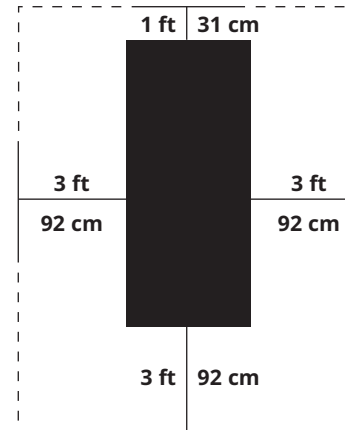


## AUSRICHTEN DES FAHRRADERGOMETERS

Ihr Heimtrainer muss für den optimalen Betrieb eben stehen. Stellen Sie Ihren Heimtrainer dort auf, wo sie ihn verwenden möchten. Stellen Sie die beiden hinteren Höhenversteller so ein, dass der Heimtrainer waagrecht ausgerichtet ist. Stellen Sie danach den dritten Höhenversteller unter dem Grundgestellrohr so ein, dass er fest am Boden anliegt. Nachdem Sie das Fahrradergometer nivelliert haben, verriegeln Sie die Höhenversteller in dieser Position, indem Sie die Muttern gegen den Rahmen festziehen. Die tatsächlichen Höhenversteller können von denen auf der Abbildung abweichen und verfügen u. U. über keine Verriegelungsmöglichkeit.



HÖHENVERSTELLUNG



## SITZ-POSITION

Setzen Sie sich auf den Sitz und positionieren Sie Ihren Fußballen mittig auf dem Pedal, um die richtige Sitzposition zu ermitteln. Ihr Knie sollte sich am längsten Pedalweg leicht beugen. Sie sollten in der Lage sein, das Pedal zu treten, ohne Ihre Knie durchzustrecken oder das Gewicht zu verlagern.

HINWEIS: Es wird empfohlen, während der Positionseinstellung nicht auf dem Sitz zu sitzen.

## HEIMTRAINER – SITZEINSTELLUNG

Heimtrainer verfügen über einen verriegelbaren Einstellstift, mit dem die Sitzhöhe einfach und sicher reguliert werden kann. Steigen Sie zum Einstellen vom Heimtrainer ab, und lösen Sie den Drehstellknopf durch zwei halbe Drehungen gegen den Uhrzeigersinn. Ziehen Sie zum Entriegeln der Sitzstütze den Drehstellknopf heraus, und stellen Sie die Stütze nach oben oder nach unten in die gewünschte Position ein. Lassen Sie den Drehstellknopf los, damit er einrastet. Drehen Sie den Drehstellknopf im Uhrzeigersinn fest. Prüfen Sie vor jeder Benutzung, ob die Sitzbefestigung verriegelt ist.





## STROMVERSORGUNG

Ihr Heimtrainer wird über ein Netzteil mit Strom versorgt. Die Stromversorgung muss mit der Buchse am vorderen Ende des Geräts in der Nähe des Stabilisatorrohres verbunden werden. Trennen Sie das Gerät vom Netz, wenn es nicht genutzt wird.



## WARNUNG

Das Gerät darf nicht verwendet werden, wenn das Kabel oder der Stecker beschädigt sind, es nicht ordnungsgemäß funktioniert oder wenn es beschädigt wurde oder in Wasser steht. Wenden Sie sich zur Überprüfung oder zur Reparatur an Ihren örtlichen Händler.

## VERWENDEN DER HERZFREQUENZFUNKTION

Der Heimtrainer ist entweder mit Herzfrequenz-Pulsgriffen oder einem Daumenpulssensor ausgestattet. Informationen zur Ausstattung Ihres Modells finden Sie im Kapitel MONTAGE Ihrer BEDIENUNGSANLEITUNG.

Die Herzfrequenzfunktion dieses Geräts ist keine medizinische Vorrichtung. Die Herzfrequenzgriffe oder der Daumenpulssensor können eine relative Schätzung Ihrer tatsächlichen Herzfrequenz liefern, jedoch können Sie nicht verwendet werden, um genaue Messungen durchzuführen. Bestimmte Personen, insbesondere Herzpatienten, sollten ein alternatives Herzfrequenz-Überwachungssystem, z. B. einen Brust- oder Handgelenkgurt, verwenden. Verschiedene Faktoren, wie beispielsweise die Bewegung des Benutzers, können die Genauigkeit des Herzfrequenzmesswerts beeinträchtigen. Der Herzfrequenzmesswert soll nur als Trainingshilfe zur Bestimmung allgemeiner Herzfrequenzrends dienen. Bitte wenden Sie sich an Ihren Arzt.

## PULSGRIFFE

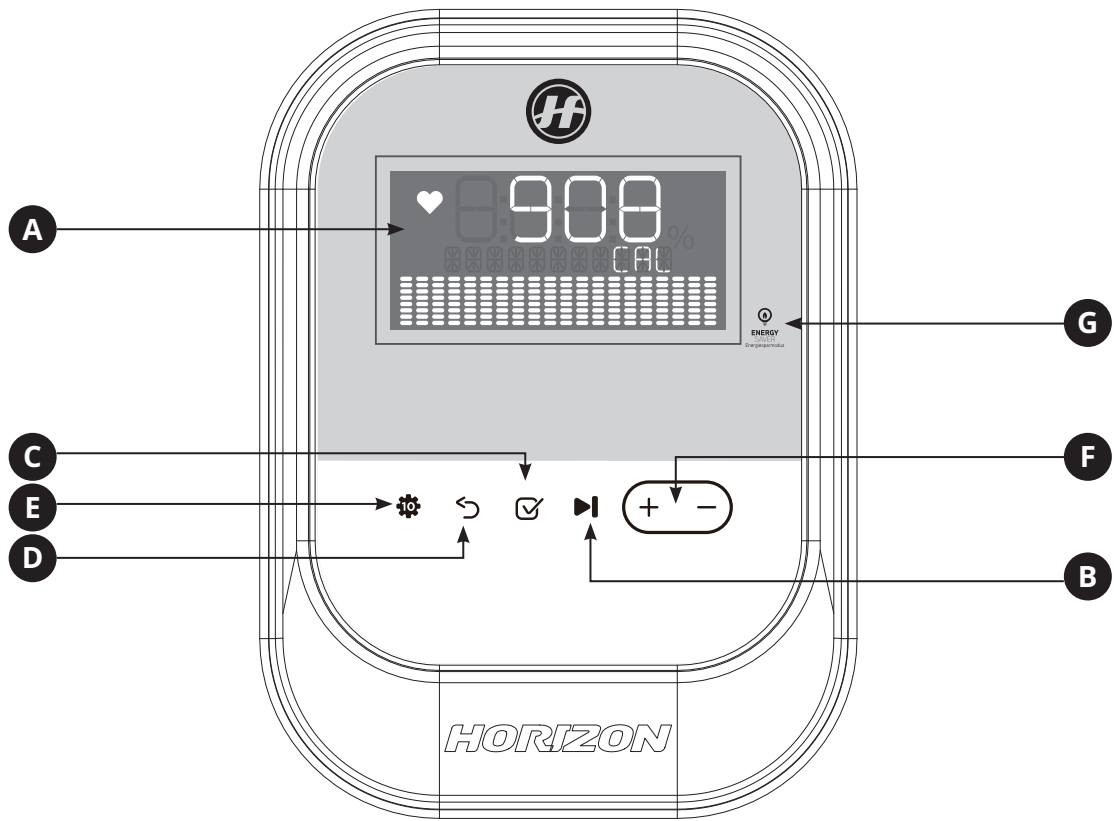
Legen Sie Ihre Handflächen direkt auf die Handpulsgriffe. Sie müssen die Griffe mit beiden Händen umfassen, damit Ihre Herzfrequenz gemessen werden kann. Es dauert ca. 5 Herzschläge (15-20 Sekunden), bis Ihre Herzfrequenz erkannt wird. Achten Sie beim Umfassen der Pulsgriffe darauf, diese nicht zu fest zu umfassen. Durch ein zu festes Umfassen kann sich Ihr Blutdruck steigern. Umfassen Sie die Griffe locker. Sie erhalten einen falschen Messwert, wenn Sie die Pulsgriffe dauerhaft zu fest umfassen. Reinigen Sie die Pulssensoren regelmäßig, um einen einwandfreien Kontakt zu gewährleisten.

# BEDIENUNG DER KONSOLE



DEUTSCH

51



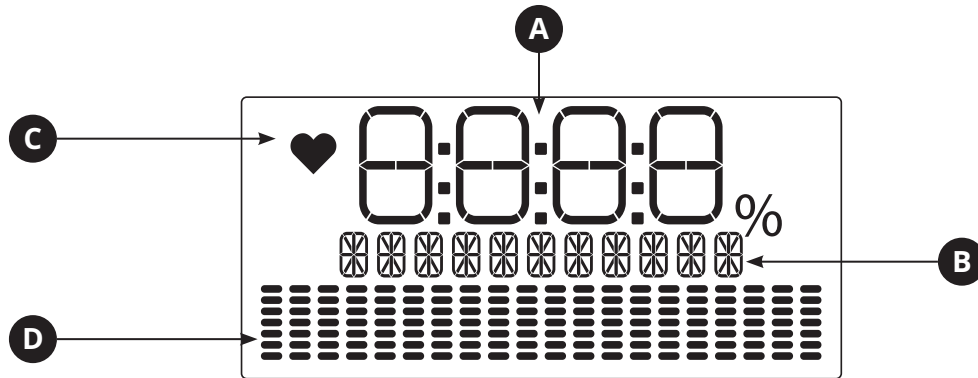




## BEDIENUNG DER BT5.1-KONSOLE

Hinweis: Ziehen Sie vor der Verwendung des Heimtrainers die dünne Schutzfolie von der Konsole ab.

- A) **LCD-ANZEIGEFENSTER:** ZEIT, GESCHWINDIGKEIT, ENTFERNUNG, KALORIEN, WATT, HF, DREHZAH, WIDERSTANDSSTUFE
- B) **START/STOPP-TASTE:** DRÜCKEN SIE DIE TASTE, UM MIT DEM TRAINING ZU BEGINNEN, EIN PROGRAMM ZU STARTEN ODER EIN UNTERBROCHENES TRAINING FORTZUSETZEN. HALTEN SIE DIE TASTE 3 SEKUNDEN GEDRÜCKT, UM DIE KONSOLE ZURÜCKZUSETZEN.
- C) **EINGABE:** DRÜCKEN SIE DIE TASTE, UM WÄHREND DER PROGRAMMIERUNG EINE EINGABE ZU BESTÄTIGEN. ODER DRÜCKEN SIE SIE, UM WÄHREND DES TRAININGS DIE ANZEIGE ZU ÄNDERN. ODER DRÜCKEN SIE UND HALTEN SIE DIE TASTE FÜR 3 SEKUNDEN GEDRÜCKT, DAMIT DIE ANZEIGE DIE EINZELNEN OPTIONEN STUFENWEISE DURCHLÄUFT
- D) **ZURÜCK:** DRÜCKEN SIE DIE TASTE, UM ZUR LETZTEN AUSWAHL ZURÜCKZUKEHREN.
- E) **PROGRAMME:** DRÜCKEN SIE DIE TASTEN, UM EIN TRAININGSPROGRAMM ZU WÄHLEN.
- F) **WIDERSTANDSSTUFE:** DRÜCKEN SIE DIE TASTE, UM DIE WIDERSTANDSSTUFE EINZUSTELLEN, ODER UM DEN WERT IM BILDSCHIRM EINSTELLUNGEN EINZUSTELLEN
- G) **STROMSPAREN:** ZEIGT AN, OB DAS GERÄT IM STROMSPARMODUS IST



## ANZEIGEFENSTER

- A) **TRAININGSINFORMATIONEN:** ANZEIGE VON ZEIT, GESCHWINDIGKEIT, ENTFERNUNG, KALORIEN, WATT, HF, DREHZAH, WIDERSTANDSSTUFE
- B) **MESSUNG DER ARBEITSSTUNDEN:** ANZEIGE IN KM, KM/H, CAL ETC.
- C) **HERZFREQUENZ:** WIRD AN BEIDEN PULSGRIFFEN EIN KONTAKT HERGESTELLT, BLINKT DAS HERZFREQUENZ-SYMBOL IM PULS-FENSTER.
- D) **PROGRAMMPROFIL:** ZEIGT DAS PROFIL DES VERWENDETEN PROGRAMMS:

## PROGRAMMINFORMATIONEN

10 Programme (Manuell, Intervalle, Gewichtsreduzierung, Gewichtsreduzierung Plus, Rollen, Trittfrequenz, Zufällig, Watt (konstant), ZHF-Bereich, % ZHF, Benutzerdefiniert)



- 1) **MANUELL:** Ermöglicht Ihnen die Einstellung des Widerstandsniveaus nach Ihren Wünschen ohne voreingestelltes Programm. Passen Sie Ihren Widerstand während des Trainings manuell an. Der Benutzer stellt Zeit und Widerstand mittels der (Pfeiltasten Auf/Ab) und EINGABE ein.
- 2) **INTERVALLE:** Zur Steigerung Ihrer Kraft, Geschwindigkeit und Ausdauer durch Anheben und Absenken der Widerstandsniveaus während Ihres Trainings zum Trainieren Ihres Herzens und Ihrer Muskeln. Zeitbasiertes Programm mit 16 wählbaren Stufen. Der Benutzer stellt Zeit und Niveau mittels der (Pfeiltasten Auf/Ab) und EINGABE ein.
- 3) **GEWICHTSREDUZIERUNG**
- 4) **GEWICHTSREDUZIERUNG PLUS:** Fördert den Gewichtsverlust und den Gewichtsverlust Plus, indem es den Widerstand und die Steigung erhöht oder verringert und Sie gleichzeitig in Ihrem Fettverbrennungsbereich belässt. Zeitbasiertes Programm mit unterschiedlichen Stufen und einer höheren Intensität als beim Gewichtsreduzierungsprogramm. Der Benutzer stellt Zeit und Niveau über die (Pfeiltasten Auf/Ab) und EINGABE ein. Trinken Sie während des Trainings und danach ausreichend Wasser, um die Ergebnisse der Gewichtsreduzierung zu verbessern.
- 5) **ROLLEN:** Behält das Gewicht bei, indem schrittweise das Widerstandsniveau erhöht und reduziert wird, um Ihre Herzfrequenz schrittweise zu erhöhen oder zu reduzieren.
- 6) **TRITTFREQUENZ:** Spezielles Trainingsprogramm für Ihren Muskelaufbau. Dieses Programm erhöht schrittweise das Widerstandsniveau und fordert Sie auf, die Geschwindigkeit zu erhöhen, im Normalbereich zu halten oder zu verringern.
- 7) **ZUFÄLLIG:** Speziell entwickeltes, tabellenbasiertes Programm, das zufällige Änderungen des Widerstands simuliert.
- 8) **ZIELHERZFREQUENZ-BEREICH:** Simulieren Sie die Intensität Ihres Lieblingssports bei automatischer Anpassung des Programmwiderstands zur Beibehaltung eines festgelegten Zielherzfrequenzbereichs.



- 1) Wählen Sie den Zielherzfrequenz-Bereich mittels ▲ ▼ und drücken Sie EINGABE.
- 2) Wählen sie mit ▲ ▼ ZEIT aus und drücken Sie EINGABE.
- 3) Das Fenster HEART RATE blinkt und zeigt die Standard-Herzfrequenz von 80 Schlägen pro Minute an. Wählen Sie mit ▲ ▼ Ihre Zielherzfrequenz (aus der Herzfrequenz-Trainingstabelle) aus und drücken Sie EINGABE.
- 4) Beginnen Sie durch Drücken von START ►||.

### HERZFREQUENZTRAINING

Der erste Schritt in der Bestimmung der richtigen Intensität Ihres Trainings ist die Festlegung der maximalen Herzfrequenz (max. HF = 220 - Ihr Alter). Diese altersbasierte Methode bietet eine durchschnittliche statistische Vorhersage Ihrer maximalen Herzfrequenz und ist eine gute Methode für die Mehrheit der Benutzer, insbesondere für diejenigen, die erst mit dem Herzfrequenztraining beginnen. Am präzisesten und genauesten lässt sich die maximale HF einer Person über einen medizinischen Test bei einem Kardiologen oder Sporttherapeuten ermitteln, der die maximale Belastbarkeit testet. Wenn Sie älter als 40 Jahre sind, Übergewicht haben und mehrere Jahre keinen Sport getrieben haben oder in Ihrer Familie Herzerkrankungen vorliegen, empfehlen wir eine ärztliche Untersuchung. In dieser Tabelle finden Sie den Herzfrequenzbereich für einen 30-jährigen, der in 5 verschiedenen Herzfrequenzzonen trainiert. Beispiel: Die max. HF für einen 30-jährigen ist  $220 - 30 = 190$  Schläge pro Minute und 90 %, max. HF ist  $190 \times 0,9 = 171$  Schläge pro Minute.

- 9) **% ZHF:** Begünstigt die Gewichtsreduzierung durch Beibehaltung eines optimalen Trainingsniveaus zum Verbrennen von Fett bei gleichzeitiger Anpassung des Widerstands, damit Sie in Ihrem Zielherzfrequenzbereich bleiben. Richten Sie zunächst Ihre persönlichen Daten ein (Ihr Gerät berechnet automatisch Ihre maximale Trainings-Herzfrequenz) und wählen Sie den Prozentwert des Trainings, das Sie basierend auf Ihrer maximalen Herzfrequenz durchführen möchten.

Hinweis: Das Herzfrequenzprogramm basiert auf Ihrem Herzfrequenzziel. Der Widerstand ändert sich automatisch entsprechend Ihrer Pedalgeschwindigkeit und gewährleistet, dass Sie Ihr Training bei Ihrer Zielherzfrequenz durchführen. Treten Sie nicht zu schnell oder zu langsam in die Pedale. Wenn Sie sich außerhalb der Zielzone befinden, wird auf der LCD-Anzeige neben der UPM-Spalte ein Pfeilsymbol angezeigt, das Sie zu einer Anpassung der Geschwindigkeit auffordert. Pfeil nach oben zum Erhöhen Ihrer UPM und Pfeil nach unten zum Verlangsamen Ihres Trainings.

**10) BENUTZERDEFINIERT:** Benutzerdefiniertes Training, Standardzeit von 30 Minuten.

- 1) Öffnen Sie zunächst die Programmeinstellung, und die Profilanzeige führt Sie durch die gesamte Trainingsspalte.
- 2) Verwenden Sie die Pfeiltasten Auf/Ab, um den Widerstand zu ändern, und drücken Sie zum Bestätigen Eingabe. Die Konsole zeigt Ihre aktuelle Segmentnummer an und führt Sie durch die Segmente 1 bis 20.
- 3) Drücken Sie nach dem Abschließen aller Einstellungen START ►||, um zu beginnen.



# PROGRAMMTABELLEN



INTERVALLE																					
Sekunden Level	Aufwärmen				Programmsegmente - Wiederholen												Abkühlen				
	60	60	60	60	30	60	60	30	30	60	30	60	60	30	30	60	60	60	60	60	
1	1	2	3	4	5	6	7	8	9	10	11	12	13	14	15	16	17	18	19	20	
2	1	2	2	3	6	2	2	6	6	2	6	2	2	6	6	2	3	2	2	1	
3	1	2	2	4	7	3	3	7	7	3	7	3	3	7	7	3	4	2	2	1	
4	1	2	2	5	8	4	4	8	8	4	8	4	4	8	8	4	5	2	2	1	
5	2	3	5	6	9	5	5	9	9	5	9	5	5	9	9	5	6	5	3	2	
6	2	3	5	7	10	6	6	10	10	6	10	6	6	10	10	6	7	5	3	2	
7	2	3	5	8	11	7	7	11	11	7	11	7	7	11	11	7	8	5	3	2	
8	2	3	5	9	12	8	8	12	12	8	12	8	8	12	12	8	9	5	3	2	
9	3	4	5	10	13	9	9	13	13	9	13	9	9	13	13	9	10	5	4	3	
10	3	4	8	11	14	10	10	14	14	10	14	10	10	14	14	10	11	8	4	3	
11	3	6	10	12	15	11	11	15	15	11	15	11	11	15	15	11	12	10	6	3	
12	3	6	10	13	16	12	12	16	16	12	16	12	12	16	16	12	13	10	6	3	
13	5	9	13	14	17	13	13	17	17	13	17	13	13	17	17	13	14	13	9	5	
14	5	9	13	15	18	14	14	18	18	14	18	14	14	18	18	14	15	13	9	5	
15	5	9	13	16	19	15	15	19	19	15	19	15	15	19	19	15	16	13	9	5	
16	5	9	13	17	20	16	16	20	20	16	20	16	16	20	20	16	17	13	9	5	

GEWICHTSREDUZIERUNG																					
Sekunden Level	Aufwärmen				Programmsegmente - Wiederholen												Abkühlen				
	60	60	60	60	60	60	60	60	60	60	60	60	60	60	60	60	60	60	60	60	
1	1	2	2	3	3	3	4	4	5	5	5	5	4	4	3	3	3	2	2	1	
2	1	2	2	3	4	4	5	5	6	6	6	6	5	5	4	4	3	2	2	1	
3	1	2	2	4	5	5	6	6	7	7	7	7	6	6	5	5	4	2	2	1	
4	1	2	2	5	6	6	7	7	8	8	8	8	7	7	6	6	5	2	2	1	
5	2	3	5	6	7	7	8	8	9	9	9	9	8	8	7	7	6	5	3	2	
6	2	3	5	7	8	8	9	9	10	10	10	10	9	9	8	8	7	5	3	2	
7	2	3	5	8	9	9	10	10	11	11	11	11	10	10	9	9	8	5	3	2	
8	2	3	5	9	10	10	11	11	12	12	12	12	11	11	10	10	9	5	3	2	
9	3	4	5	10	11	11	12	12	13	13	13	13	13	12	12	11	11	10	5	4	3
10	3	4	8	11	12	12	13	13	14	14	14	14	14	13	12	12	11	8	4	3	
11	3	6	10	12	13	13	14	14	15	15	15	15	14	14	13	13	12	10	6	3	
12	3	6	10	13	14	14	15	15	16	16	16	16	15	15	14	14	13	10	6	3	



GEWICHTSREDUZIERUNG PLUS																					
	Aufwärmen				Programmsegmente - Wiederholen												Abkühlen				
Sekunden	60	60	60	60	60	60	60	60	60	60	60	60	60	60	60	60	60	60	60	60	60
Level	1	2	3	4	5	6	7	8	9	10	11	12	13	14	15	16	17	18	19	20	20
1	1	2	2	3	3	3	4	4	5	5	5	5	4	4	3	3	3	2	2	1	
2	1	2	2	3	4	4	5	5	6	6	6	6	5	5	4	4	3	2	2	1	
3	1	2	2	4	5	5	6	6	7	7	7	7	6	6	5	5	4	2	2	1	
4	1	2	2	5	6	6	7	7	8	8	8	8	7	7	6	6	5	2	2	1	
5	2	3	5	6	7	7	8	8	9	9	9	9	8	8	7	7	6	5	3	2	
6	2	3	5	7	8	8	9	9	10	10	10	10	9	9	8	8	7	5	3	2	
7	2	3	5	8	9	9	10	10	11	11	11	11	10	10	9	9	8	5	3	2	
8	2	3	5	9	10	10	11	11	12	12	12	12	11	11	10	10	9	5	3	2	
9	3	4	5	10	11	11	12	12	13	13	13	13	12	12	11	11	10	5	4	3	
10	3	4	8	11	12	12	13	13	14	14	14	14	13	13	12	12	11	8	4	3	
11	3	6	10	12	13	13	14	14	15	15	15	15	14	14	13	13	12	10	6	3	
12	3	6	10	13	14	14	15	15	16	16	16	16	15	15	14	14	13	10	6	3	
13	5	9	13	14	15	15	16	16	17	17	17	17	16	16	15	15	14	13	9	5	
14	5	9	13	15	16	16	17	17	18	18	18	18	17	17	16	16	15	13	9	5	
15	5	9	13	16	17	17	18	18	19	19	19	19	18	18	17	17	16	13	9	5	
16	5	9	13	17	18	18	19	19	20	20	20	20	19	19	18	18	17	13	9	5	

HÜGEL																					
	Aufwärmen				Programmsegmente - Wiederholen												Abkühlen				
Sekunden	60	60	60	60	30	30	30	30	30	30	30	30	30	30	30	30	30	60	60	60	60
Level	1	2	3	4	5	6	7	8	9	10	11	12	13	14	15	16	17	18	19	20	20
1	1	1	1	2	1	2	3	4	1	2	3	4	1	2	3	4	2	1	1	1	
2	1	1	1	3	2	3	4	5	2	3	4	5	2	3	4	5	3	1	1	1	
3	2	2	2	3	3	4	5	6	3	4	5	6	3	4	5	6	3	2	2	2	
4	2	2	2	4	4	5	6	7	4	5	6	7	4	5	6	7	4	2	2	2	
5	3	3	3	4	5	6	7	8	5	6	7	8	5	6	7	8	4	3	3	3	
6	3	3	3	5	6	7	8	9	6	7	8	9	6	7	8	9	5	3	3	3	
7	4	4	4	5	7	8	9	10	7	8	9	10	7	8	9	10	5	4	4	4	
8	4	4	4	6	8	9	10	11	8	9	10	11	8	9	10	11	6	4	4	4	
9	5	5	5	6	9	10	11	12	9	10	11	12	9	10	11	12	6	5	5	5	
10	5	5	5	7	10	11	12	13	10	11	12	13	10	11	12	13	7	5	5	5	
11	5	5	6	7	11	12	13	14	11	12	13	14	11	12	13	14	7	6	5	5	
12	6	6	6	8	12	13	14	15	12	13	14	15	12	13	14	15	8	6	6	6	
13	6	6	7	8	13	14	15	16	13	14	15	16	13	14	15	16	8	7	6	6	
14	6	7	7	9	14	15	16	16	14	15	16	16	14	15	16	16	9	7	7	6	
15	6	7	8	9	15	16	16	16	15	16	16	16	15	16	16	16	9	8	7	6	



TRITTFREQUENZ																				
Sekunden	60	60	60	60	30	60	90	60	90	45	60	45	90	90	30	30	60	60	60	60
	Aufwärmen								F	R	F	R	F	R	F	R	Abkühlen			
Level	1	2	3	4	5	6	7	8	9	10	11	12	13	14	15	16	17	18	19	20
1	1	1	1	2	3	2	3	1	2	3	1	2	3	1	2	3	2	1	1	1
2	1	1	1	2	4	3	4	2	3	4	2	3	4	2	3	4	2	1	1	1
3	1	1	1	2	5	4	5	3	4	5	3	4	5	3	4	5	2	1	1	1
4	1	1	1	3	6	5	6	4	5	6	4	5	6	4	5	6	3	1	1	1
5	1	2	3	3	7	6	7	5	6	7	5	6	7	5	6	7	3	3	2	1
6	1	2	3	4	8	7	8	6	7	8	6	7	8	6	7	8	4	3	2	1
7	1	2	3	4	9	8	9	7	8	9	7	8	9	7	8	9	4	3	2	1
8	1	2	3	5	10	9	10	8	9	10	8	9	10	8	9	10	5	3	2	1
9	1	1	1	2	11	10	11	9	10	11	9	10	11	9	10	11	2	1	1	1
10	1	1	1	2	12	11	12	10	11	12	10	11	12	10	11	12	2	1	1	1
11	2	2	2	3	13	12	13	11	12	13	11	12	13	11	12	13	2	1	1	1
12	3	3	3	4	14	13	14	12	13	14	12	13	14	12	13	14	3	1	1	1
13	3	4	4	5	15	14	15	13	14	15	13	14	15	13	14	15	3	3	2	1
14	3	4	5	6	16	15	16	14	15	16	14	15	16	14	15	16	4	3	2	1

ZUFÄLLIG																				
Sekunden	Aufwärmen				Programmsegmente												Abkühlen			
Level	60	60	60	60	60	60	60	60	60	60	60	60	60	60	60	60	60	60	60	60
1	1	1	2	2	1	3	5	2	4	7	2	3	6	1	1	1	1	1	1	1
2	1	2	2	3	2	4	6	3	5	8	3	4	7	2	2	1	1	1	1	1
3	2	2	3	3	3	5	7	4	6	9	4	5	8	3	2	1	1	1	1	1
4	2	3	3	4	4	6	8	5	7	10	5	6	9	4	3	1	1	1	1	1
5	3	4	4	4	5	7	9	6	8	11	6	7	10	5	3	3	2	1	1	1
6	3	5	4	5	6	8	10	7	9	12	7	8	11	6	4	3	2	1	1	1
7	4	5	5	5	7	9	11	8	10	13	8	9	12	7	4	3	2	1	1	1
8	4	5	5	5	8	10	12	9	11	14	9	10	13	8	4	3	2	1	1	1
9	4	5	5	5	9	11	13	10	12	15	10	11	14	9	5	4	3	1	1	1
10	4	5	6	6	10	12	14	11	13	16	11	12	15	10	5	4	3	1	1	1
11	4	5	7	7	11	13	15	12	14	17	12	14	16	11	6	5	4	1	1	1
12	4	5	8	8	12	14	16	13	15	18	13	14	17	12	6	5	4	1	1	1
13	4	5	9	9	13	15	17	14	16	19	14	15	18	13	7	6	5	1	1	1
14	4	5	9	9	14	16	18	15	17	20	15	16	19	14	7	6	5	1	1	1

Zielherzfrequenzzone	Trainingsdauer	Beispiel ZHF-Zone (Alter: 30)	Ihr Zielherzfrequenz-Bereich	Empfohlen für
SEHR INTENSIV 90-100 %	< 5 MIN	171-190 BPM		Fitte Menschen und athletisches Training
INTENSIV 80-90 %	2-10 MIN	152-171 BPM		Kürzere Trainingseinheiten
MITTEL 70-80 %	10-40 MIN	133-152 BPM		Moderate lange Trainingseinheiten
LEICHT 60-70 %	40-80 MIN	114-133 BPM		Längere und regelmäßig wiederholte kürzere Trainingseinheiten
SEHR LEICHT 50-60 %	20-40 MIN	104-114 BPM		Gewichtskontrolle und aktive Erholung





# MONTAGE

## **!** WARNUNG

Bei der Montage müssen einige Dinge ausdrücklich beachtet werden. Das korrekte Befolgen der Montageanleitung ist sehr wichtig, und es muss sichergestellt werden, dass alle Teile sicher befestigt wurden. Wenn die Montageanleitung nicht korrekt befolgt wird, sitzen Rahmenteile des Heimtrainers ggf. nicht fest, erscheinen lose und führen unter Umständen zu irritierenden Geräuschen. Zur Vermeidung von Beschädigungen des Heimtrainers müssen die Montageanleitung geprüft und Korrekturmaßnahmen ergriffen werden.

Suchen Sie vor dem Fortfahren nach der Seriennummer Ihres Heimtrainers am vorderen Stabilisatorrohr und geben Sie diese in das nachstehende Feld ein. Suchen Sie auch den Modellnamen, der sich neben der Seriennummer befindet.

GEBEN SIE IHRE SERIENNUMMER UND DEN MODELLNAMEN IN DIE NACHSTEHENDEN FELDER EIN:

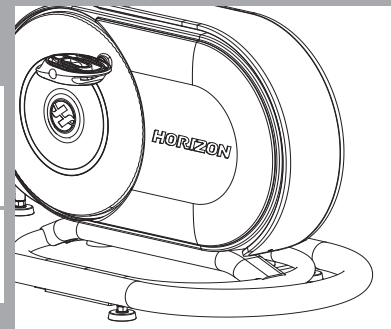
SERIENNUMMER:

--	--	--	--	--	--	--	--	--	--	--	--	--	--	--	--	--	--	--	--

MODELLNAME:

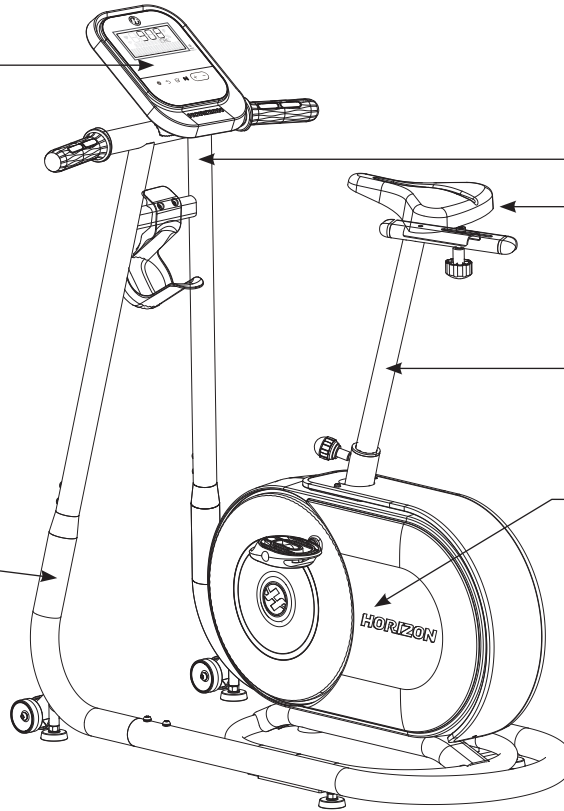
--	--	--	--	--	--	--	--	--	--	--	--	--	--	--	--

### ORT DER SERIENNUMMER





**KONSOLE**



**KONSOLENMAST-SET**

**SATTEL**

**SITZBEFESTIGUNG**

**HAUPTRAHMEN**

**STABILISATOR**

## MITGELIEFERTE WERKZEUGE:

- Inbusschlüssel/L4
- Inbusschlüssel mit Schraubendreher/L6

## ENTHALTENE TEILE:

- Hauptrahmen
- Stabilisator-L
- Stabilisator-R
- Sitzbefestigung
- Sattel
- Konsolenmast-Set
- Konsole

# VOR DER MONTAGE



## AUSPACKEN

Packen Sie das Gerät am Aufstellungsort aus. Stellen Sie den Karton des Heimtrainers auf ebenem Untergrund auf. Es wird empfohlen, dass Sie eine Schutzfolie auf dem Boden auslegen. Öffnen Sie den Karton nicht, wenn dieser auf der Seite liegt.

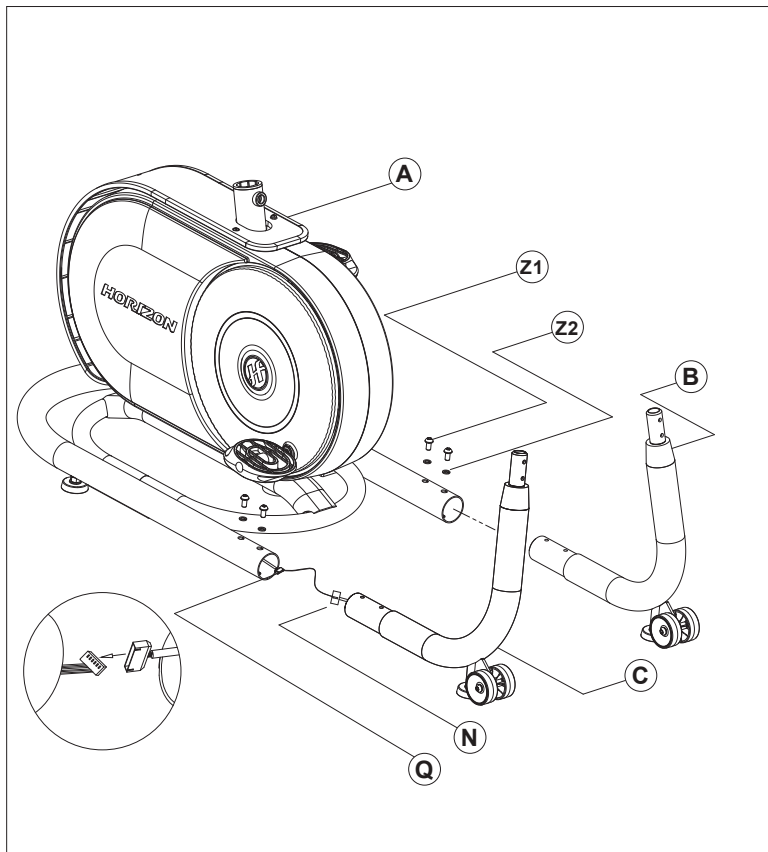
## WICHTIGE HINWEISE

- Es wird empfohlen, dass der Heimtrainer der Einfachheit halber und für mehr Effizienz von zwei Personen montiert wird.
- Stellen Sie während jedes Montageschritts sicher, dass ALLE Muttern und Schrauben eingesteckt und teilweise eingeschraubt sind. Es wird empfohlen, den gesamten Zusammenbau des Geräts abzuschließen, bevor Sie IRGEND EINE Schraube festziehen.
- Mehrere Teile wurden zur Vereinfachung von Montage und Nutzung vorgeschmiert. Wischen Sie dieses Schmiermittel nicht ab. Wenn Probleme auftreten, wird das Auftragen von etwas Lithium-Fahrradfett empfohlen.

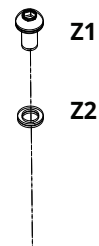
## BRAUCHEN SIE HILFE?

Wenden Sie sich bei Fragen oder fehlenden Teilen an den technischen Kundensupport (Customer Tech Support). Die Kontaktinformationen befinden sich auf der Rückseite dieses Handbuchs.

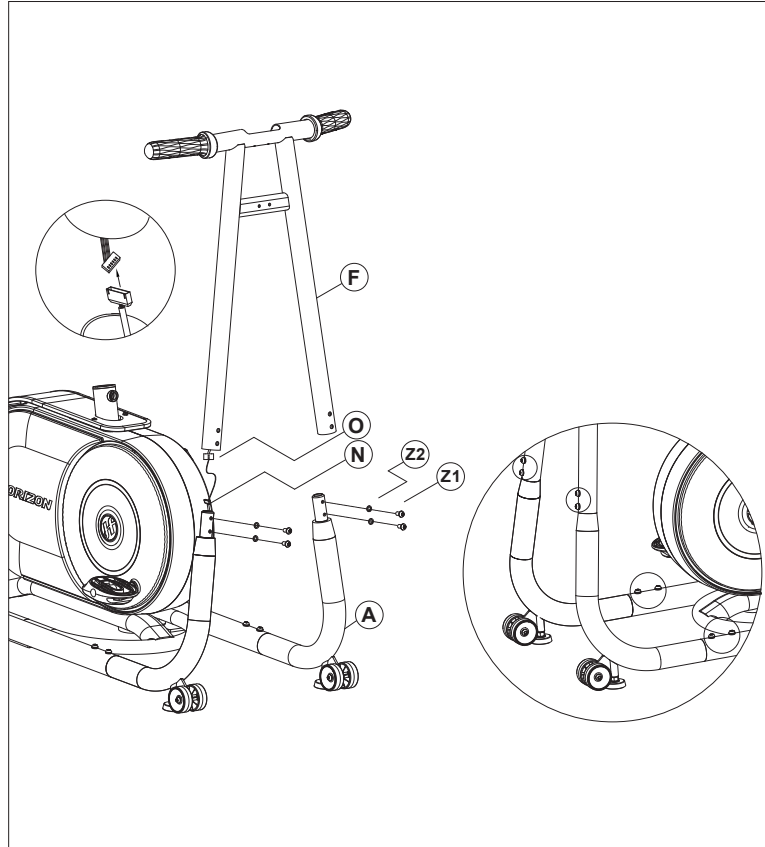
# MONTAGE SCHRITT 1



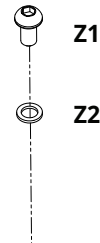
- A Verbinden Sie das **UNTERE KONSOLENKABEL (Q)** und das **MITTLERE KONSOLENKABEL (N)**
- B Verbinden Sie den **RECHTEN STABILISATOR (C)** am **HAUPTRAHMEN (A)** und bringen Sie die beiden **BEFESTIGUNGSTEILE (Z1+Z2)** an; ziehen Sie bitte die Schrauben zu diesem Zeitpunkt nur von Hand an.
- C Verbinden Sie den **LINKEN STABILISATOR (B)** am **HAUPTRAHMEN (A)** und bringen Sie die beiden **BEFESTIGUNGSTEILE (Z1+Z2)** an; ziehen Sie die Schrauben zu diesem Zeitpunkt nur von Hand an.



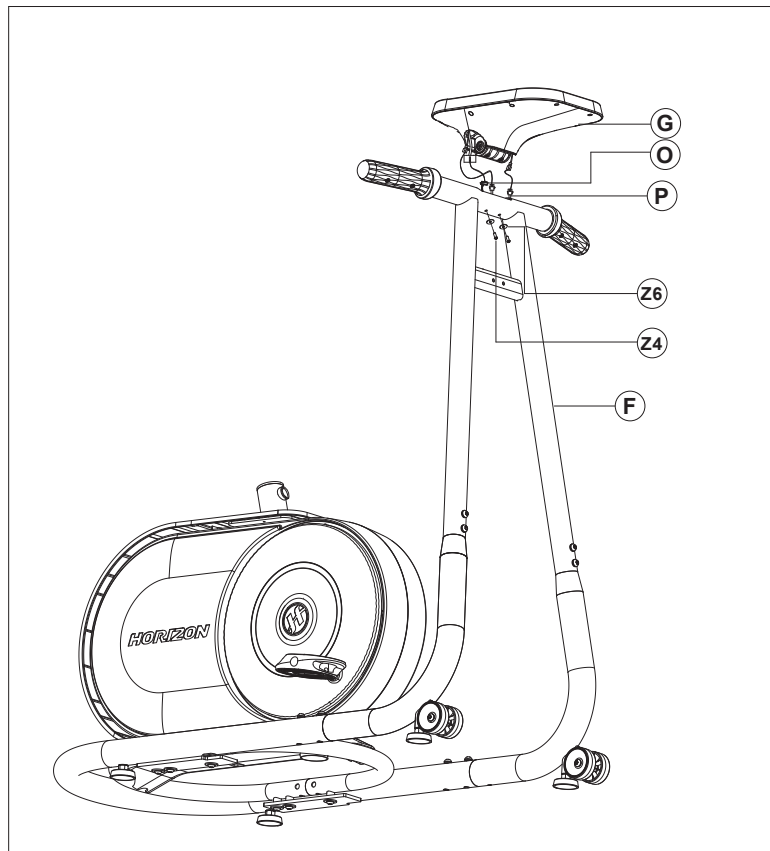
## MONTAGE SCHRITT 2



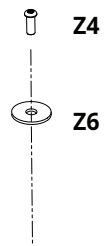
- A Verbinden Sie das **MITTLERE KONSOLENKABEL (N)** und das **OBERE KONSOLENKABEL (O)**
- B Schieben Sie das **KONSOLENMAST-SET (F)** auf den **RECHTEN STABILISATOR-R (C)** und den **LINKEN STABILISATOR (B)**
- C Bringen Sie die beiden **BEFESTIGUNGSTEILE (Z1+Z2)** am **RECHTEN STABILISATOR (C)** an und wiederholen Sie die Schritte auf der linken Seite; ziehen Sie bitte die Schrauben zu diesem Zeitpunkt nur von Hand an



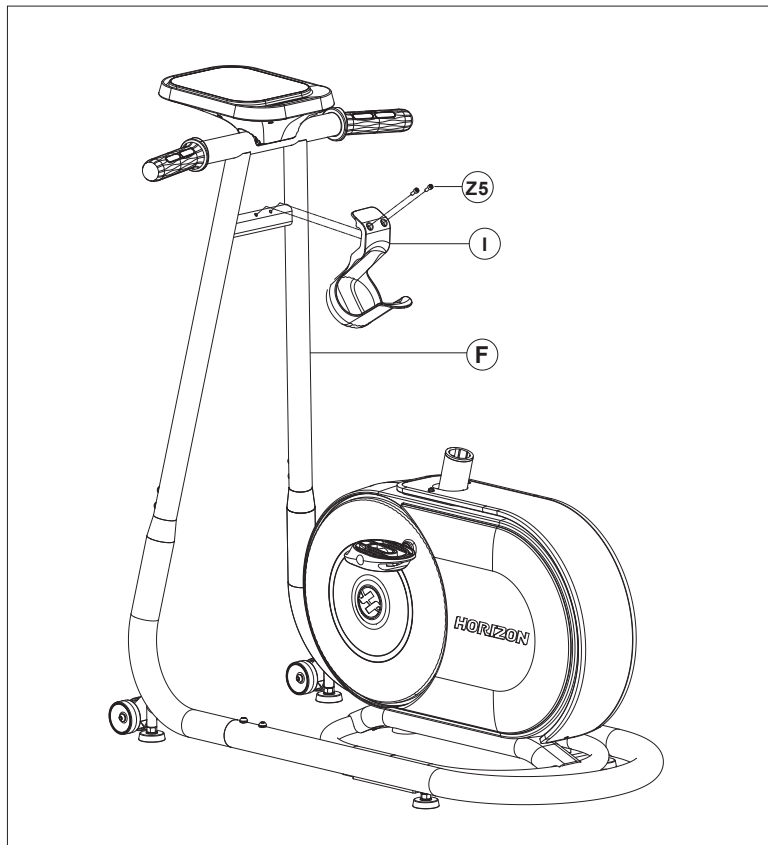
## MONTAGE SCHRITT 3



- A Verbinden Sie das **OBERE KONSOLENKABEL (O)** und das **HERZFREQUENZ KABEL (P)** mit der **KONSOLE (G)**
- B Bringen Sie die **KONSOLE (G)** am **KONSOLENMAST-SET (F)** an und befestigen Sie es mit den beiden **BEFESTIGUNGSTEILE (Z4+Z6)**



## MONTAGE SCHRITT 4

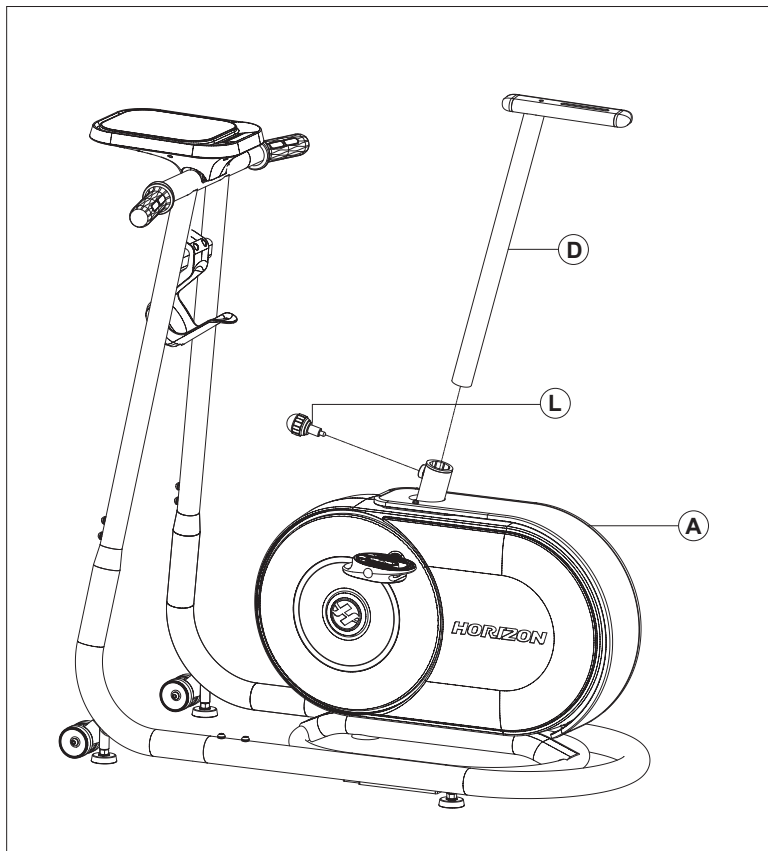


- A Bringen Sie den **FLASCHENHALTER (I)** am **KONSOLEMAST-SET (F)** an und befestigen Sie ihn mit den beiden **SCHRAUBEN (Z5)**



Z5

## MONTAGE SCHRITT 5

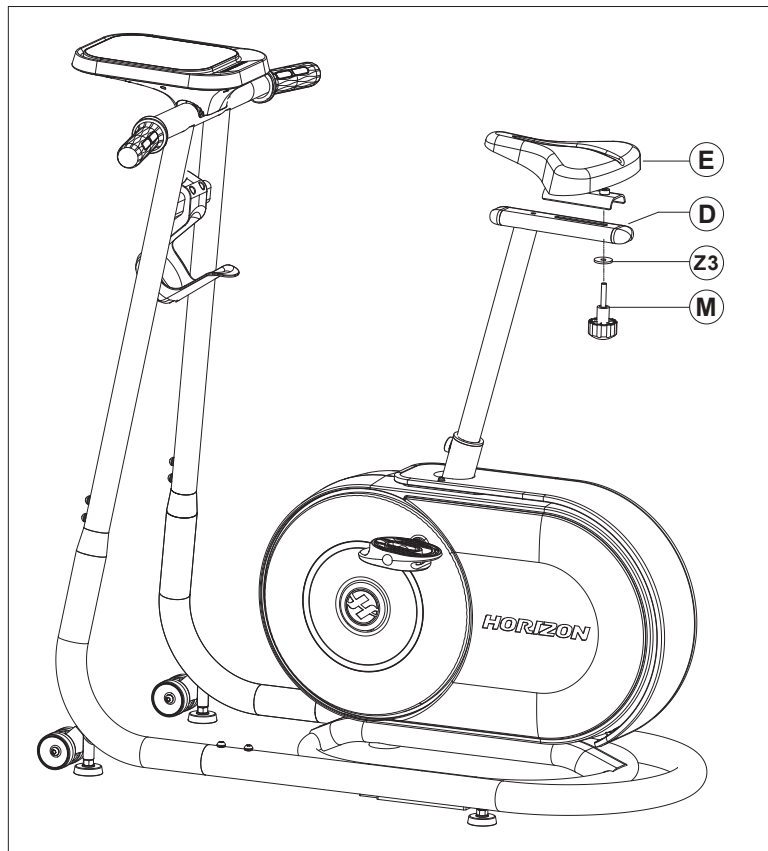


- A Schieben Sie die **SITZBEFESTIGUNG (D)** in den **HAUPTRAHMEN (A)** und ziehen Sie diese mit der **HÖHENVERSTELLSCHRAUBE (L)** fest.





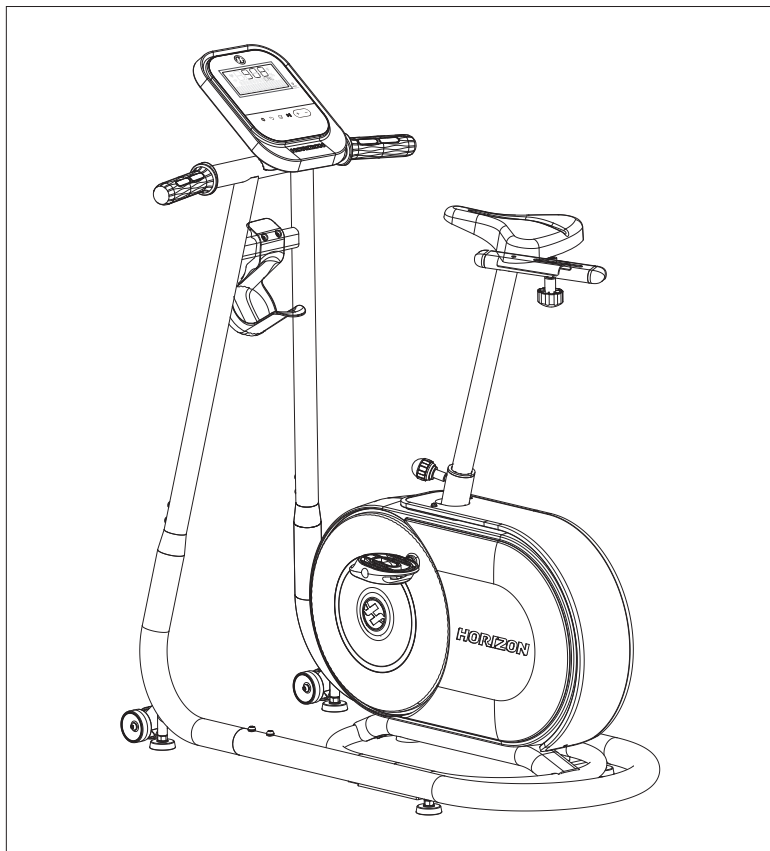
## MONTAGE SCHRITT 6



- A Bringen Sie den **SATTEL (E)** auf der **SITZBEFESTIGUNG (D)** an und ziehen Sie diese danach mit dem **SITZVERSTELLKNOPF (M)** und der **FLACHEN UNTERLEGSSCHEIBE (Z3)** fest



## MONTAGE SCHRITT 7

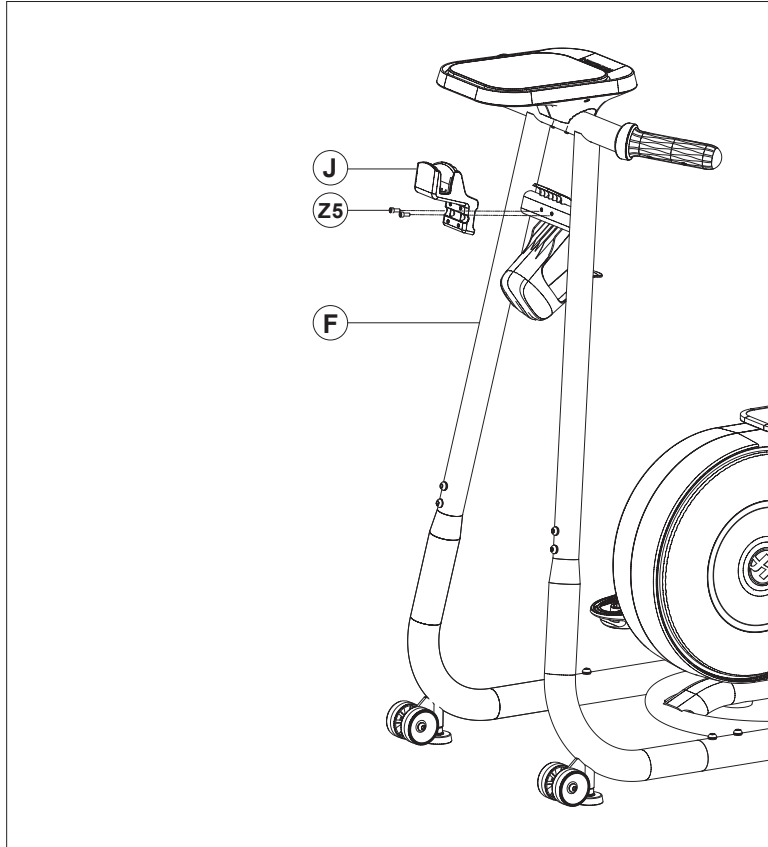


**MONTAGE ABGESCHLOSSEN!**

# ZUSAMMENBAU DES OPTIONALEN ZUBEHÖRS



## OPTIONALES ZUBEHÖR



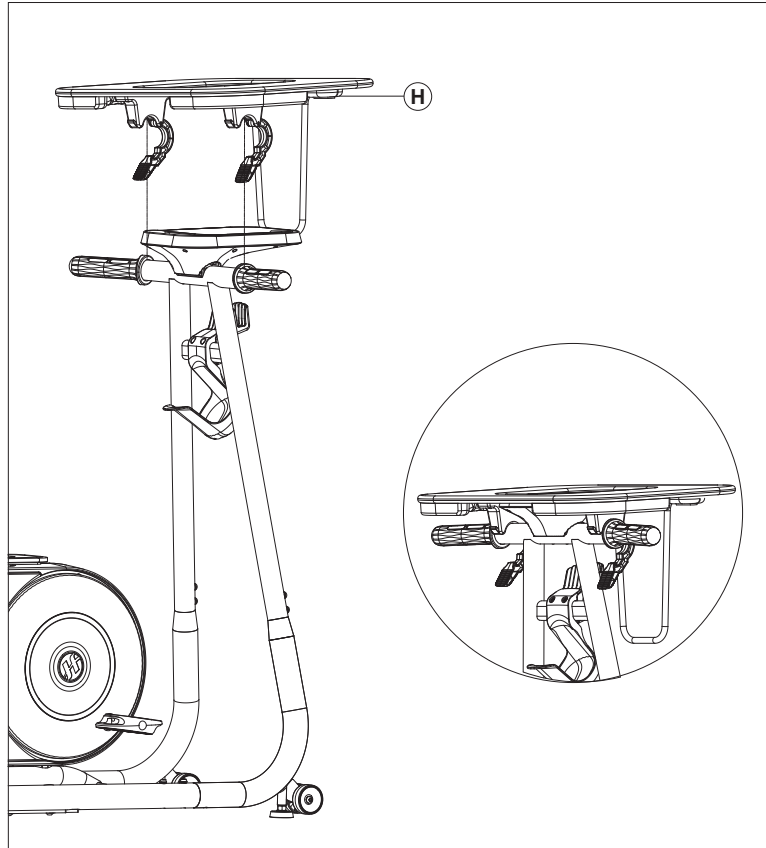
### ABLAGE, SCHRITT 1

- A Bringen Sie die **ABLAGENHALTERUNG (J)** am **KONSOLENMAST-SET (F)** an und befestigen Sie diese mit den beiden **SCHRAUBEN (Z5)**



Z5

# OPTIONALES ZUBEHÖR

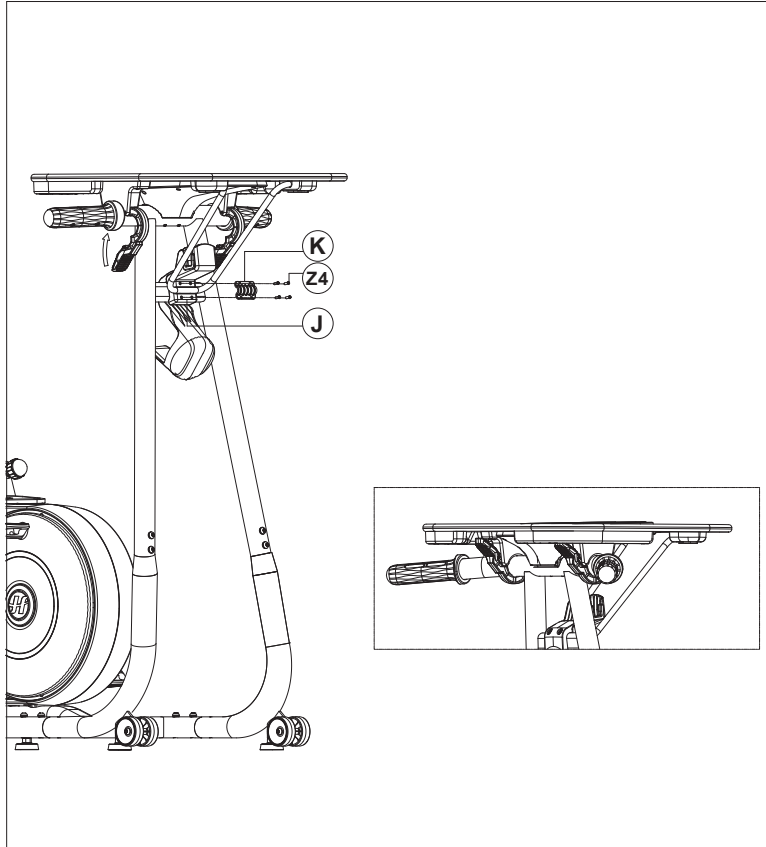


## ABLAGE, SCHRITT 2

- A Kippen Sie die **KONSOLE** in die Horizontalposition und platzieren Sie die **ABLAGE** auf dem Handgriff




## OPTIONALES ZUBEHÖR

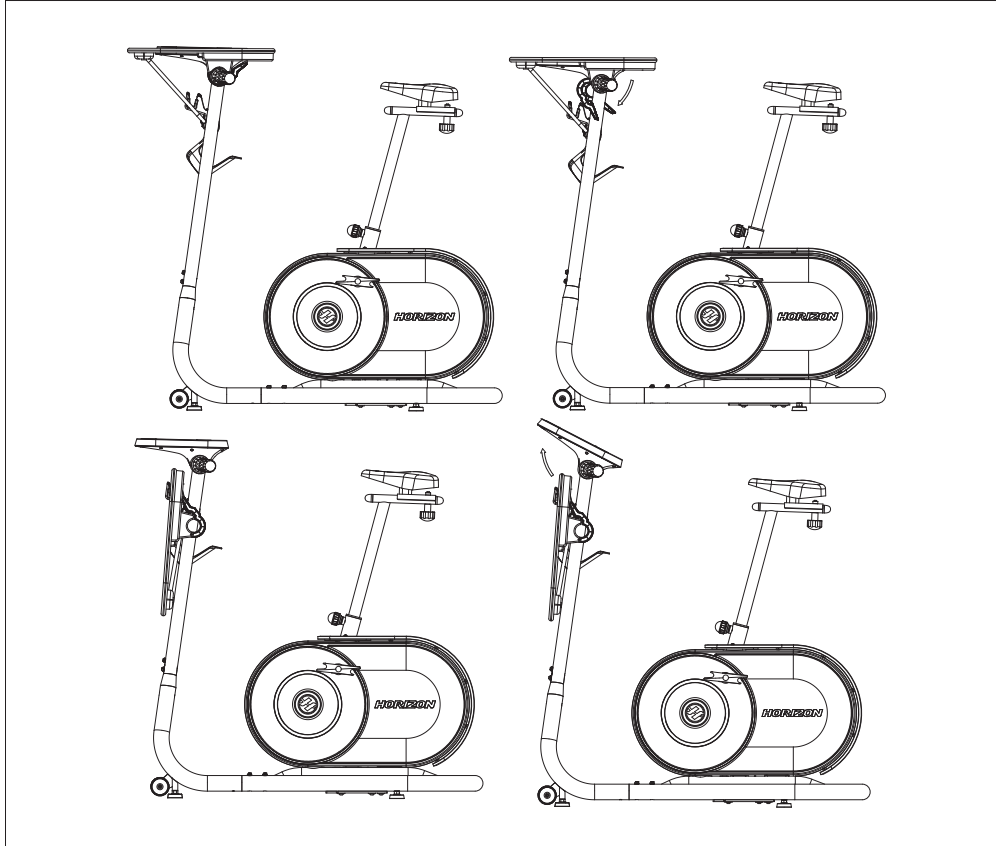


### ABLAGE, SCHRITT 3

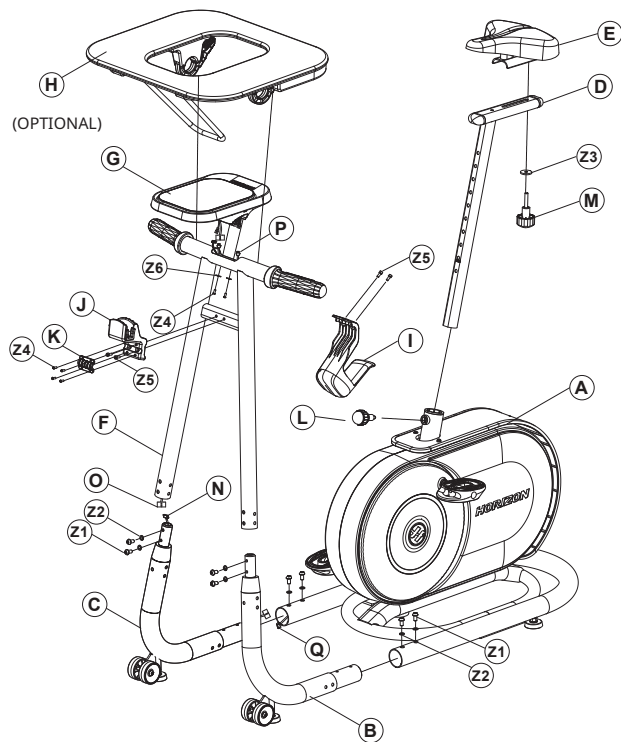
- A Bringen Sie den Griff der **ABLAGE** an der **ABLAGENHALTERUNG (J)** an und befestigen Sie die **ABDECKUNG DER ABLAGENHALTERUNG (K)** mit den 4 **SCHRAUBEN (Z4)**
- B Verriegeln Sie den Sicherheitsverschluss.

 Z4

# OPTIONALES ZUBEHÖR



## BT5.1 EXPLOSIONSZEICHNUNG



## BT5.1 TEILELISTE

NR.	BESCHREIBUNG	ANZ
A	HAUPTRAHMEN	1
B	STABILISATOR-L	1
C	STABILISATOR-R	1
D	SITZBEFESTIGUNG	1
E	SATTEL	1
F	KONSOLENMAST-SET	1
G	KONSOLE	1
H	ABLAGE (OPTIONAL)	1
I	FLASCHENHALTER	1
J	ABLAGENHALTERUNG (OPTIONAL)	1
K	ABDECKUNG DER ABLAGENHALTERUNG (OPTIONAL)	1
L	HÖHENVERSTELLSCHRAUBE	1
M	SITZVERSTELLKNOPF	1
N	MITTLERES KONSOLENKABEL (L=800 mm)	1
O	OBERES KONSOLENKABEL (L=800 mm)	1
P	HERZFREQUENZKABEL (L=260 mm)	2
Q	UNTERES KONSOLENKABEL (L=1200 mm)	1
Z1	SCHRAUBE M8*15	8
Z2	FLACHE UNTERLEGSCHIBE Ø8,5*Ø16*T1,5	8
Z3	FLACHE UNTERLEGSCHIBE Ø 8,5*Ø 30* T3,0	1
Z4	SCHRAUBE M4*10	6
Z5	SCHRAUBE M5*12	4
Z6	FLACHE UNTERLEGSCHIBE Ø 4*Ø 14* T1,0	2





# FEHLERBEHEBUNG UND WARTUNG



HINWEIS: Die folgenden Anweisungen unterscheiden sich abhängig vom Modell. Weitere Informationen erhalten Sie bei Ihrem örtlichen Händler.

DEUTSCH

77

## HÄUFIGE FRAGEN ZUM PRODUKT



### **SIND DIE GERÄUSCHE NORMAL, DIE DAS FAHRRADERGOMETER MACHT?**

Unsere Fahrradergometer gehören mit zu den Leisesten auf dem Markt, da sie mit Riemenantrieben und reibungsfreien magnetischen Widerständen funktionieren. Wir verwenden Kugellager und Riemen höchster Qualität, um Geräusche zu minimieren. Da jedoch die Geräusche des Widerstandssystems so leise sind, können Sie gelegentlich andere leichte mechanische Geräusche hören. Im Gegensatz zu älteren, lauterer Technologien haben unsere Heimtrainer keine Lüfter-, Reibungsriemen- oder Generatorgeräusche, die diese Geräusche übertönen würden. Diese zeitweise auftretenden mechanischen Geräusche werden durch die Übertragung beträchtlicher Energiemengen auf ein sich schnell drehendes Schwungrad erzeugt und sind normal. Alle Lager, Riemen und andere sich drehende Teile erzeugen Geräusche, die durch das Gehäuse und den Rahmen übertragen werden. Es ist auch normal, dass sich der Klang dieser Geräusche aufgrund der Wärmeausdehnung der Teile während des Trainings und mit der Zeit leicht verändert.

### **WARUM IST MEIN FAHRRADERGOMETER ZU HAUSE LAUTER ALS DAS IM GESCHÄFT?**

Alle Fitnessgeräte wirken in einem großen Vorführraum eines Geschäfts leiser, da in der Regel mehr Hintergrundgeräusche vorhanden sind als bei Ihnen zu Hause. Zudem ist der Nachhall auf einem Betonboden mit Teppichbelag geringer als auf hölzernem Bodenbelag. In bestimmten Fällen ermöglicht eine schwere Gummimatte die Reduzierung von Nachhall über den Boden. Wird ein Fitnessgerät nahe an einer Wand aufgestellt, werden mehr Geräusche reflektiert.

### **WIE LANGE HÄLT DER ANTRIEBSRIEMEN?**

Eine Computersimulation ergab mehrere Tausend wartungsfreie Stunden. Sie sollten den Riemen gar nicht austauschen müssen.

### **LÄSST SICH DAS FAHRRADERGOMETER NACH DEM AUFBAU EINFACH BEWEGEN?**

Das Fahrradergometer verfügt im vorderen Stabilisatorrohr über zwei Transportrollen. Bitte lesen und befolgen Sie den Abschnitt BEWEGEN DES FAHRRADERGOMETERS, um das Fahrradergometer zu transportieren. Es ist wichtig, dass Sie Ihr Fahrradergometer in einem behaglichen und einladenden Raum aufstellen. Das Fahrradergometer wurde so gestaltet, dass es nur eine minimale Stellfläche beansprucht. Oftmals wird das Fahrradergometer gegenüber einem Fernsehgerät oder einem Panoramafenster aufgestellt. Stellen Sie das Fahrradergometer, wenn möglich, nicht in einen unausgebauten Kellerraum. Um Ihr Training zu einer täglich erwünschten Aktivität werden zu lassen, stellen Sie das Fahrradergometer in einen behaglichen Raum.

## GRUNDLEGENDE PROBLEMBEHANDLUNG



**PROBLEM:** Die Konsole wird nicht beleuchtet.

**LÖSUNG:** Überprüfen Sie Folgendes:

- Die Steckdose, in die die Maschine eingesteckt ist, ist funktionsfähig. Überprüfen Sie, dass die Sicherung nicht abgeschaltet ist.
- Sie verwenden das richtige Netzkabel. Verwenden Sie nur das mitgelieferte Netzkabel oder das von Ihrem Händler bereitgestellte Kabel.
- Das Netzkabel ist nicht eingeklemmt oder beschädigt und ist ordnungsgemäß in die Steckdose UND das Gerät eingesteckt.
- Ziehen Sie das Netzkabel aus der Netzsteckdose, und prüfen Sie durch Entfernen der Konsole, ob alle Verbindungen zur Konsole sicher sind, und nicht beschädigt oder eingeklemmt.

**PROBLEM:** Die Konsole ist beleuchtet, aber die Zähler für Strecke/Watt/Umdrehungen funktionieren nicht.

**LÖSUNG:** Überprüfen Sie Folgendes:

- Ziehen Sie das Netzkabel aus der Netzsteckdose, und prüfen Sie durch Entfernen der Konsole, ob alle Verbindungen zur Konsole sicher sind, und nicht beschädigt oder eingeklemmt.
- Wenn die oben genannten Schritte das Problem nicht lösen, können der Geschwindigkeitssensor und/oder der Magnet gelöst oder beschädigt sein.

**PROBLEM:** Die Widerstandsstufen scheinen inkorrekt zu sein, sind scheinbar zu schwer oder zu leicht.

**LÖSUNG:** Überprüfen Sie Folgendes:

- Sie verwenden das richtige Netzkabel. Verwenden Sie nur das mitgelieferte Netzkabel oder das von Ihrem Händler genehmigte Kabel.
- Setzen Sie die Konsole zurück, damit sich auch der Widerstand in die Standardposition zurücksetzt. Starten Sie erneut, und testen Sie die Widerstandsstufen.

**PROBLEM:** Der Heimtrainer macht quietschende oder zirpende Geräusche.

**LÖSUNG:** Überprüfen Sie Folgendes:

- Das Fahrradergometer steht auf einer ebenen Fläche.
- Lösen Sie alle während der Montage befestigten Schraubbolzen, schmieren Sie die Gewinde, und befestigen Sie die Schraubbolzen wieder.



**PROBLEM:** Bei verbundenem MP3-Player geben die Lautsprecher keinen Klang wieder oder sie klingen verzerrt.

**LÖSUNG:** Stellen Sie sicher, dass das Audiokabel an den Buchsen der Konsole und des MP3-Players korrekt angeschlossen ist.

## FEHLERSUCHE HERZFREQUENZ

Kontrollieren Sie Ihre Trainingsumgebung auf Störquellen wie Leuchtstofflampen, Computer, Kabel im Boden, Heim-Sicherheitssysteme oder Geräte mit großen Motoren. Diese Elemente verursachen fehlerhafte Herzfrequenzanzeigewerte.

Unter den folgenden Bedingungen kann es zu falsch angezeigten Messwerten kommen:

- Zu festes Umfassen der Herzfrequenz-Handgriffe. Versuchen Sie, die Herzfrequenz-Handgriffe mit mittlerem Druck zu umfassen.
- Konstante Bewegung und Vibration aufgrund eines dauerhaften Umfassens der Herzfrequenz-Handgriffe während des Trainings. Wenn Sie falsche Herzfrequenz-Messwerte erhalten, halten Sie die Griffe nur so lange umfasst, bis eine Überwachung Ihrer Herzfrequenz möglich ist.
- Wenn Sie während des Trainings schwer atmen.
- Wenn Ihre Hände durch das Tragen von Ringen eingeschränkt sind.
- Wenn Ihre Hände trocken oder kalt sind. Versuchen Sie, Ihre Handflächen durch Aneinanderreiben zum Aufwärmen anzufeuchten.
- Personen mit starken Herzrhythmusstörungen.
- Personen mit Arterienverkalkung oder peripheren Durchblutungsstörungen.
- Personen, deren Haut an den Handflächen, an denen gemessen wird, besonders dick ist.

Wenn das Kapitel Problembehandlung nicht zur Lösung des Problems beitragen kann, beenden Sie die Verwendung und schalten Sie das Gerät aus.

**BITTE WENDEN SIE SICH AN IHREN ÖRTLICHEN HÄNDLER.**



Sie werden bei einem Anruf beim Händler möglicherweise nach den folgenden Informationen gefragt. Bitte halten Sie diese Informationen sofort bereit:

- Modellname
- Seriennummer
- Kaufbeleg

Damit Ihr örtlicher Händler das Problem an Ihrem Heimtrainer beheben kann, muss er ggf. detaillierte Fragen zu den auftretenden Symptomen stellen. Nachfolgend sind einige der Fragen aufgeführt, die im Rahmen der Fehlersuche gestellt werden können:

- Wie lange tritt dieses Problem bereits auf?
- Tritt das Problem bei jeder Benutzung auf? Bei jedem Benutzer?
- Wenn Sie Geräusche wahrnehmen, kommen diese von der Vorder- oder Rückseite? Was für eine Art von Geräusch ist es (Klopfen, Schleifen, Quietschen, Zirpen usw.)?
- Wurde das Gerät gemäß WARTUNGSPLAN geschmiert und gewartet?

Durch Beantwortung dieser und weiterer Fragen ermöglichen Sie den Technikern, Ihnen den erforderlichen Service zu bieten und die korrekten Ersatzteile zuzusenden, um Sie und Ihren Heimtrainer wieder in Schwung zu bringen!

## WARTUNG

### WELCHE ROUTINEWARTUNG IST ERFORDERLICH?

Da wir bei unseren Heimtrainern überall abgedichtete Kugellager verwenden, ist Schmieren nicht erforderlich. Der wichtigste Wartungsschritt ist, nach jedem Training einfach Ihren Schweiß vom Heimtrainer zu wischen.

### WIE REINIGE ICH DEN HEIMTRAINER?

Nur mit Seife und Wasserlappen reinigen. Verwenden Sie auf Plastikteilen niemals Lösungsmittel. Halten Sie Ihren Heimtrainer und ihre Trainingsumgebung sauber, denn damit reduzieren Sie Wartungsprobleme und Anrufe beim Kundendienst auf ein Minimum. Aus diesem Grund empfehlen wir, nachfolgenden Wartungsplan zu befolgen.

### NACH JEDER BENUTZUNG (TÄGLICH)

- Trennen Sie den Heimtrainer vom Netzstrom, indem Sie das Netzkabel aus der Wandsteckdose ziehen.
- Wischen Sie den Heimtrainer mit einem feuchten Tuch ab. Verwenden Sie keine Lösungsmittel, da diese den Heimtrainer beschädigen können.
- Überprüfen Sie das Netzkabel. Wenn das Stromkabel beschädigt ist, wenden Sie sich an Ihren örtlichen Händler.
- Stellen Sie sicher, dass sich das Netzkabel nicht unter dem Heimtrainer befindet oder in einem anderen Bereich, in dem es eingeklemmt oder durchgeschnitten werden kann.



Um den Heimtrainer vom Stromnetz zu trennen, muss der Stecker des Netzkabels aus der Wandsteckdose gezogen werden.

### JEDE WOCHE

Führen Sie zum Reinigen unter dem Heimtrainer folgende Schritte aus:

- Schalten Sie den Heimtrainer aus.
- Bringen Sie den Heimtrainer an einen anderen Ort.
- Wischen oder saugen Sie alle Staubpartikel und anderen Objekte ab, die sich unter dem Heimtrainer angesammelt haben.
- Bringen Sie den Heimtrainer zurück an seinen ursprünglichen Aufstellungsort.

### JEDEN MONAT

- Überprüfen Sie alle Montageschrauben und Pedale des Geräts auf einen festen Sitz.
- Reinigen Sie die Führungsschiene des Sitzes.



# BELANGRIJKE VOORZORGSMATREGELEN



## BEWAAR DEZE INSTRUCTIES

Lees deze HOMETRAINERGIDS voordat u de GEBRUIKERSHANDLEIDING gebruikt. Bij het gebruik van een elektrisch product dienen te allen tijde enkele basisvoorschriften in acht te worden genomen, waaronder: lees alle instructies voordat u deze hometrainer gebruikt. De eigenaar moet erover waken dat alle gebruikers van deze hometrainer voldoende zijn ingelicht over alle waarschuwingen en voorzorgsmaatregelen. Als u na het lezen van deze gids vragen hebt, dient u contact op te nemen met uw lokale dealer.



## GEVAAR

### OM HET RISICO OP EEN ELEKTRISCHE SCHOK TE BEPERKEN:

Trek de stekker van de hometrainer altijd uit het stopcontact meteen na gebruik, voor reiniging, voor elke onderhoudsbeurt en voor het bevestigen of verwijderen van onderdelen.



## WAARSCHUWING

### OM HET RISICO OP BRANDWONDEN, BRAND, ELEKTRISCHE SCHOK OF PERSOONLIJK LETSEL TE BEPERKEN:

- Als u een bepaalde vorm van pijn ondervindt, waaronder, maar niet beperkt tot, pijn in de borst, misselijkheid, duizeligheid of kortademigheid, stop dan onmiddellijk met trainen en raadpleeg uw arts voordat u ermee verder gaat.
- Houd steeds een comfortabel tempo aan tijdens het trainen.
- Om uw evenwicht te bewaren, is het aanbevolen de handgrepen vast te houden tijdens het trainen of bij het op- en afstappen van het apparaat.
- Houd uw handen en voeten te allen tijde weg bij bewegende onderdelen om letsel te voorkomen. Draai de trappers nooit met de hand.
- Draag geen kledij die aan onderdelen van de hometrainer kan blijven haken.
- Gebruik de hometrainer niet zonder aangepast schoeisel. Gebruik de hometrainer NOOIT met blote voeten.
- Spring niet op de hometrainer.
- Stap niet van de hometrainer voordat de trappers volledig TOT STILSTAND zijn gekomen.
- Er mag nooit meer dan één persoon op de hometrainer zitten terwijl het toestel in gebruik is.
- Deze hometrainer mag niet worden gebruikt door personen die meer wegen dan wat in het GARANTIEGEDEELTE VAN DE GEBRUIKERSHANDLEIDING is aangegeven. Als u dit niet naleeft, vervalt de garantie.
- Deze hometrainer is uitsluitend bestemd voor gebruik binnenshuis. Gebruik deze hometrainer niet in een commerciële, huur-, school- of institutionele omgeving. Als u dit niet naleeft, vervalt de garantie.
- De hometrainer voldoet aan de norm EN957-1/-5, klasse van hometrainer: HB; remsysteem is verstelbaar.
- Gebruik de hometrainer niet op plaatsen waar de temperatuur niet kan worden geregeld, zoals, maar niet beperkt tot veranda's, zwembadruimtes, badkamers, carports of buiten. Als u dit niet naleeft, vervalt de garantie.
- Om een elektrische schok te voorkomen, mag u nooit een voorwerp in een opening laten vallen of steken.
- Zorg ervoor dat de afstelhendels (zadel- en handgreep lengte en -breedte) naar behoren vastzitten en de bewegingen tijdens het trainen niet hinderen.



# WAARSCHUWING

## OM HET RISICO OP BRANDWONDEN, BRAND, ELEKTRISCHE SCHOK OF PERSOONLIJK LETSEL TE BEPERKEN:

- Sluit dit trainingsproduct uitsluitend aan op een correct geaard stopcontact.
- Houd het stroomsnoer uit de buurt van verwarmde oppervlakken. Draag dit apparaat nooit aan het snoer en gebruik het snoer nooit als handgreep.
- Gebruik geen hulpstukken die niet door de fabrikant worden aanbevolen. Hulpstukken kunnen letsel veroorzaken.
- Gebruik de hometrainer niet in een ruimte waar spuitbussen worden gebruikt of waar zuurstof wordt toegediend.
- Gebruik de hometrainer alleen zoals beschreven in de hometrainergids en de gebruikershandleiding.
- Koppel alle stroombronnen los voordat u onderhoud uitvoert of de apparatuur verplaatst. Gebruik uitsluitend zeep en een licht bevochtigde doek om de oppervlakken te reinigen. Gebruik nooit oplosmiddelen. (Zie ONDERHOUD)
- De hometrainer mag nooit zonder toezicht worden achtergelaten wanneer het apparaat op een stopcontact is aangesloten. Trek de stekker uit het stopcontact wanneer het apparaat niet wordt gebruikt en voor het bevestigen of verwijderen van onderdelen.
- Gebruik deze apparatuur niet onder een deken of kussen. Er kan oververhitting optreden, die brand, een elektrische schok of persoonlijk letsel kan veroorzaken.
- Kinderen jonger dan 13 of huisdieren mogen zich GEENSZINS op minder dan 3 meter (10 ft.) van het apparaat bevinden.
- Kinderen jonger dan 13 jaar mogen de hometrainer GEENSZINS gebruiken.
- Kinderen ouder dan 13 jaar of gehandicapten dienen de hometrainer niet te gebruiken zonder toezicht van een volwassene.
- Gebruik de hometrainer nooit als het snoer of de stekker beschadigd is, als het apparaat niet goed werkt, als het product gevallen of beschadigd is of ondergedompeld werd in water. Retourneer de hometrainer naar een servicecentrum voor inspectie en reparatie.
- Houd het stroomsnoer uit de buurt van verwarmde oppervlakken. Draag dit apparaat nooit aan het snoer en gebruik het snoer nooit als handgreep.
- Om het apparaat los te koppelen, zet u alle bedieningsknoppen in de uit-stand en trekt u de stekker uit het stopcontact.
- Verwijder de afdekplaten van de console alleen als uw lokale dealer u dit vraagt. Reparaties dienen alleen door een bevoegde onderhoudsmonteur te worden uitgevoerd.





## AARDINGSINSTRUCTIES

Als een hometrainer slecht werkt of stukgaat, zorgt de aarding voor een weg van de minste weerstand voor de elektrische stroom om zo het risico op een elektrische schok te beperken. Dit product is uitgerust met een snoer met een aardgeleiding voor apparatuur en een geaarde stekker. De stekker moet in een geschikt stopcontact worden gestoken, dat correct is geïnstalleerd en overeenkomstig de plaatselijk geldende wetten en voorschriften is geaard.

Een onjuiste aansluiting van de aardgeleiding voor apparatuur kan een risico op een elektrische schok inhouden. Raadpleeg een erkend elektricien of technicus als u twijfelt of het product naar behoren is geaard. Voer geen aanpassingen uit aan de bij het product geleverde stekker. Als deze niet in het stopcontact past, laat een erkend elektricien dan een geschikt stopcontact installeren.

Het is van essentieel belang dat uw hometrainer alleen binnen, in een geklimatiseerde ruimte, wordt gebruikt. Als uw hometrainer werd blootgesteld aan koudere temperaturen of een zeer vochtig klimaat, is het ten zeerste aanbevolen de hometrainer tot op kamertemperatuur te laten opwarmen voordat u het apparaat voor het eerst gebruikt. Zo niet dreigt er een voortijdig elektronisch defect op te treden.

# BASISWERKING



## GEFELICITEERD MET DE AANKOOP VAN UW HOMETRAINER!

U hebt een belangrijke stap gezet in het opstellen en onderhouden van een trainingsprogramma! Uw hometrainer is een uitstekend en doeltreffend middel voor het bereiken van uw persoonlijke fitnessdoelen. Het regelmatig gebruiken van uw hometrainer kan uw levenskwaliteit op tal van manieren verbeteren.

Hier volgen slechts enkele gezondheidsvoordelen van sporten:

- Gewichtsverlies
- Een gezonder hart
- Betere spierspanning
- Verhoogde dagelijkse energieniveaus

Deze voordelen kunnen worden bereikt door regelmatig aan lichaamsbeweging te doen. Uw nieuwe hometrainer zal u helpen eventuele obstakels uit de weg te ruimen die verhinderen dat u sport. Slecht weer en duisternis hebben geen enkele impact op uw training wanneer u uw hometrainer binnen het comfort van uw woning gebruikt. Deze gids levert u de basisinformatie om uw nieuw apparaat correct en met plezier te gebruiken.



## PLAATSING VAN DE HOMETRAINER

Plaats de hometrainer op een effen oppervlak. Zorg voor een vrije ruimte van 92 cm aan de achterkant en aan weerszijden van het toestel en 31 cm aan de voorkant voor het snoer. Zorg bij de plaatsing dat de hometrainer geen ventilatie- of luchtgaten blokkeert. De hometrainer dient niet in een garage, op een overdekt terras, in de buurt van water of buiten te worden geplaatst.

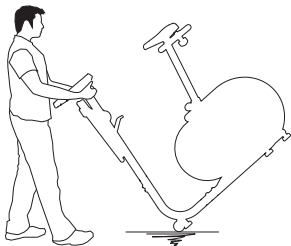
## DE HOMETRAINER VERPLAATSEN

Uw hometrainer beschikt over een paar transportwielletjes die in de stabilisatorstang aan de voorkant zijn ingebouwd. Trek de stekker uit het stopcontact voordat u de hometrainer gaat verplaatsen.

## ! WAARSCHUWING

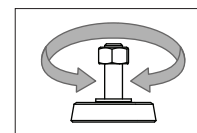
Onze hometrainers zijn zwaar; wees voorzichtig en vraag iemand u te helpen bij het verplaatsen. Het niet opvolgen van deze instructies kan tot lichamelijk letsel leiden.

**UPRIGHT-FIETSEN:** grijp de handgrepen stevig vast, kantel de fiets voorzichtig naar u toe en rol hem op de transportwielletjes.

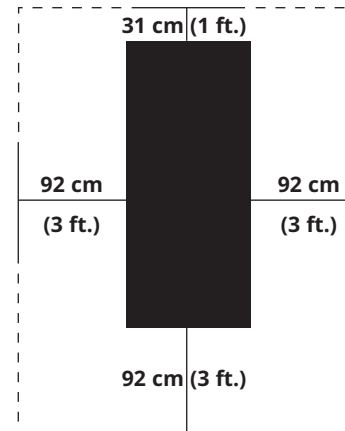


## DE HOMETRAINER WATERPAS ZETTEN

Uw hometrainer moet waterpas staan voor optimaal gebruik. Plaats uw hometrainer waar u het apparaat wilt gebruiken. Pas de twee niveleerders aan de achterkant aan zodat de fiets vlak op de vloer staat. Pas vervolgens de derde niveleerder aan de onderkant van de onderste framebuis aan zodat hij vlak tegen de vloer zit. Wanneer uw hometrainer waterpas staat, vergrendelt u de niveleerders in die positie door de moeren tegen het frame aan te draaien. De werkelijke niveleerders kunnen afwijken van onderstaande afbeelding en bevatten mogelijk geen vergrendeling.



**DE HOOGTE  
AANPASSEN**



## HET ZADEL OP DE JUISTE POSITIE INSTELLEN

Om de juiste zadelpositie te bepalen, gaat u zitten en plaatst u de bal van uw voet op het midden van het pedaal. Uw knie moet enigszins gebogen blijven wanneer het pedaal in de verste positie staat. U moet kunnen trappen zonder de knieën te blokkeren of uw gewicht van de ene naar de andere kant te verplaatsen.

OPMERKING: het wordt aanbevolen om niet op het zadel te zitten tijdens het afstellen van de positie.

### UPRIGHT-FIETSEN - ZADEL AFSTELLEN

Upright-fietsen zijn uitgerust met een vergrendelingspen voor het zadel om het zadel op een eenvoudige en veilige wijze op de gewenste hoogte af te stellen. Om af te stellen stapt u van het fietszadel en draait u de afstelknop twee halve slagen naar links. Trek de knop uit om de zadelstang te ontgrendelen en het zadel omhoog of omlaag te verplaatsen in de gewenste positie. Laat de knop los om de stang te vergrendelen. Draai de knop naar rechts tot hij vastzit. Controleer voor elk gebruik of de zadelpositie vergrendeld is.





## STROOM

Uw hometrainer werkt op stroom via een netaansluiting. De stroomkabel moet in de voedingsaansluiting worden gestoken, welke zich aan de voorkant van de machine bevindt, vlak bij de stabilisatorstang. Trek de stekker uit het stopcontact wanneer het apparaat niet wordt gebruikt.



## WAARSCHUWING

Gebruik het product nooit als het snoer of de stekker beschadigd is, als het niet juist werkt, als het product beschadigd is of ondergedompeld werd in water. Neem contact op met uw lokale dealer voor inspectie en reparatie.

## DE HEART RATE-FUNCTIE (HARTSLAG) GEBRUIKEN

Uw hometrainer kan uitgerust zijn met hartslaghandgrepen of een hartslagduimsensor. Om het hartslagsysteem van uw model te weten, gaat u naar het begin van het gedeelte MONTAGE in uw GEBRUIKERSHANDLEIDING.

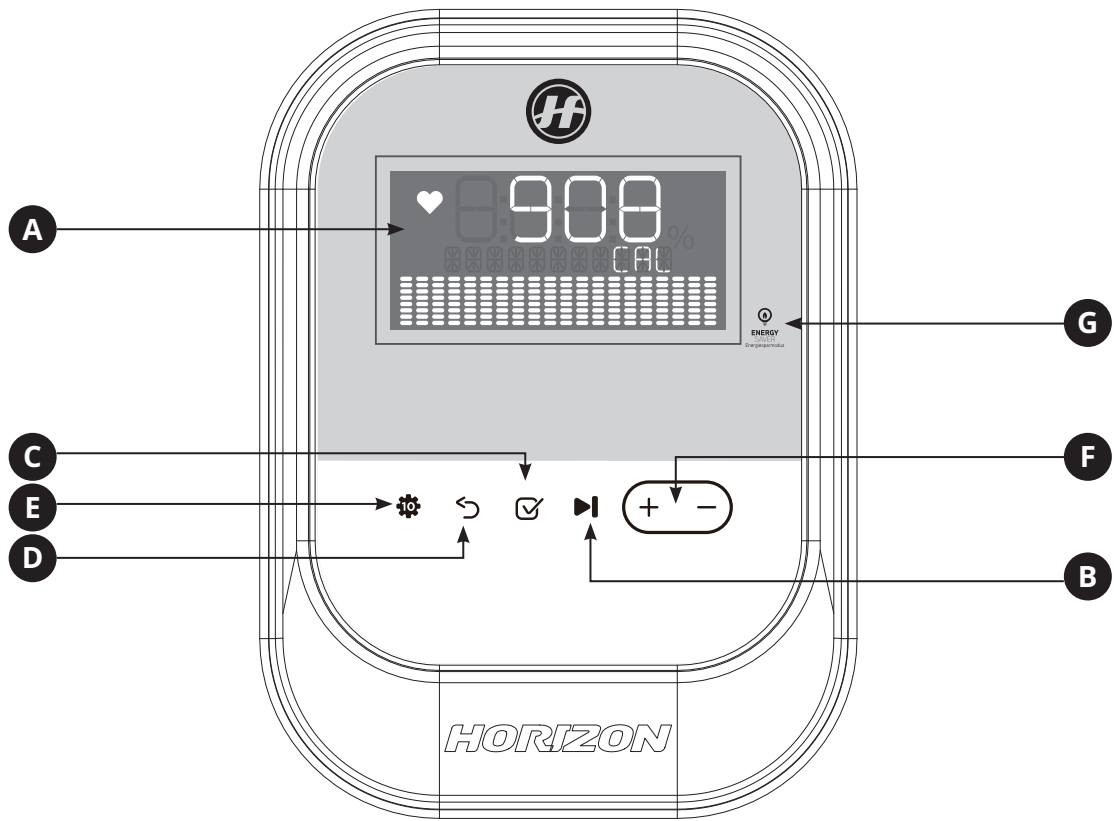
De hartslagfunctie van dit product is geen medisch hulpmiddel. Hoewel de handgrepen of de duimsensor een schatting van uw hartslag kunnen geven, mag u er niet op vertrouwen voor situaties waarin nauwkeurige meetwaarden vereist zijn. Sommige mensen, waaronder patiënten die een revalidatie na een hartaanval volgen, gebruiken best een alternatief controlesysteem zoals een borstriem of polsband om hun hartslag te meten. Diverse factoren, waaronder ook uw bewegingstempo, kunnen de nauwkeurigheid van de meetwaarden beïnvloeden. De meetwaarden van de hartslag zijn uitsluitend bedoeld als een hulpmiddel bij het sporten om de algemene trend van uw hartslag te meten. Raadpleeg uw arts.

## HARTSLAGHANDGREPEN

Plaats uw handpalmen rechtstreeks op de handgrepen. U dient de handgrepen met beide handen vast te nemen om de hartslag te kunnen meten. Er zijn 5 opeenvolgende hartslagen (15-20 seconden) nodig om uw hartslag te kunnen registreren. Grijp de handgrepen niet te stevig vast. Dit kan namelijk uw bloeddruk verhogen. Houd de handgrepen in de holte van uw hand met losse greep vast. Als u de handgrepen continu vasthoudt, kan de uitlezing onstabiel zijn. Zorg ervoor dat de sensors van de handgrepen schoon zijn, om een goed contact te garanderen.

# BEDIENING VAN DE CONSOLE





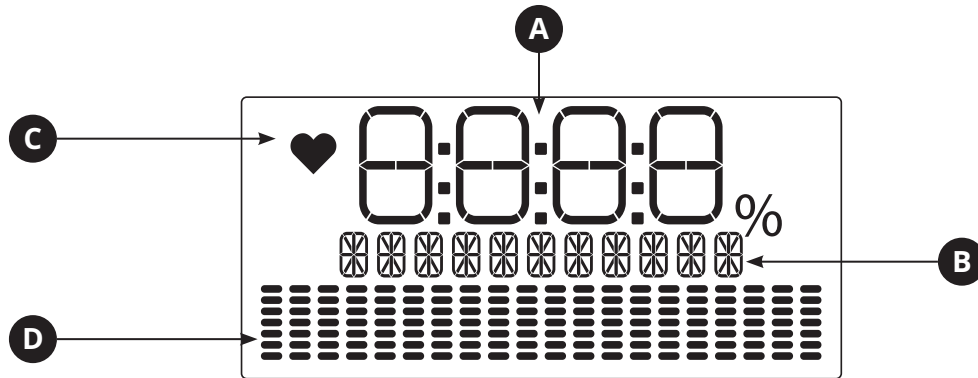




## BT 5.1 BEDIENING VAN DE CONSOLE

Opmerking: de console wordt geleverd met een dunne beschermfolie erop, die moet worden verwijderd vóór gebruik.

- A) **LCD-WEERGAVEVENSTER:** TIJD, SNELHEID, AFSTAND, CALORIEËN, AANTAL WATT, HARTSLAG, TOERENTAL, WEERSTANDSNIVEAU
- B) **START-EN-STOPKNOP:** DRUK OP DE KNOP OM TE BEGINNEN SPORTEN, UW TRAINING TE ONDERBREKEN OF NA DE PAUZE UW TRAINING TE HERVATTEN. HOUD DEZE KNOP 3 SECONDEN INGEDRUKT OM DE CONSOLE OPNIEUW IN TE STELLEN.
- C) **ENTER:** DRUK HIEROP OM EEN SELECTIE TE BEVESTIGEN TIJDENS HET INSTELLEN VAN HET PROGRAMMA. OF DRUK EROP OM DE WEERGAVE TIJDENS HET TRAINEN TE VERANDEREN. OF DRUK EN HOUD DE KNOP 3 SECONDEN INGEDRUKT OM DE CONSOLEWEERGAVE AUTOMATISCH IN VOLGORDE TE VERANDEREN.
- D) **TERUG:** DRUK HIEROP OM TERUG TE KEREN NAAR DE LAATSTE SELECTIE
- E) **PROGRAMMA'S:** DRUK HIEROP OM EEN TRAINING TE SELECTEREN
- F) **WEERSTANDSNIVEAU:** DRUK OM HET WEERSTANDSNIVEAU AAN TE PASSEN OF OM DE WAARDE IN HET INSTELSCHEM AAN TE PASSEN
- G) **ENERGIEBESPARING:** GEEFT AAN OF DE MACHINE IN ENERGIEBESPARINGSMODUS STAAT



## WEERGAVEVENSTERS

- A) **TRAININGSINFORMATIE:** WEERGAVE VAN TIJD, SNELHEID, AFSTAND, CALORIEËN, AANTAL WATT, HARTSLAG, TOERENTAL, WEERSTANDSNIVEAU.
- B) **METING VAN DE TRAINING:** WEERGAVE VAN KM, KM/U, CAL. ENZOVOORT.
- C) **HARTSLAG:** WANNEER DE GEBRUIKER BEIDE HANDGREPEN MET HARTSLAGSENSOR AANRAAKT, KNIPPERT HET HARTSLAGPICTOGRAM IN HET HARTSLAGVENSTER.
- D) **PROGRAMMAPROFIEL:** WEERGAVE VAN HET PROFIEL VAN HET GEBRUIKTE PROGRAMMA.

## PROGRAMMAGEGEVENS

10 programma's (Handmatig, intervaltraining, gewichtsverlies, gewichtsverlies plus, glooiende heuvels, cadans, willekeurig, constante watt, doelhartslagzone, percentage doelhartslag, aangepast)



- 1) **HANDMATIG:** stelt u in staat om het weerstandsniveau naar wens in te stellen, zonder een vooraf ingesteld programma. Pas uw weerstand tijdens uw training handmatig aan. De gebruiker stelt de tijd en de weerstand in met de (pijl omhoog/omlaag) en ENTER.
- 2) **INTERVALTRAINING:** verbetert uw kracht, snelheid en uithouding door het weerstandsniveau tijdens uw training te verhogen en te verlagen zodat zowel uw hart als spieren er baat bij hebben. Programma op basis van tijd met 16 niveaus waaruit u kunt kiezen. De gebruiker stelt de tijd en het niveau in met de (pijlen omhoog/omlaag) en ENTER.
- 3) **GEWICHTSVERLIES**
- 4) **GEWICHTSVERLIES PLUS:** stimuleert gewichtsverlies en gewichtsverlies plus door de weerstand te verhogen en te verlagen terwijl u binnen uw vetverbrandingszone blijft. Programma op basis van tijd met verschillende niveaus waaruit u kunt kiezen. Levert een grotere intensiteit in vergelijking met het gewichtsverliesprogramma. De gebruiker stelt de tijd en het niveau in met de (pijlen omhoog/omlaag) en ENTER. Drink voldoende water tijdens en na het sporten voor betere gewichtsverliesresultaten.
- 5) **GLOOIENDE HEUVELS:** behoudt het gewicht door het weerstandsniveau geleidelijk aan te verhogen en te verlagen om uw hartslag geleidelijk aan te verhogen en te verlagen.
- 6) **CADANS:** speciaal trainingsprogramma om uw spieren te verstevigen. Dit programma verhoogt geleidelijk aan het weerstandsniveau en geeft u aan naar een hoge snelheid, gemiddelde snelheid of lage snelheid te gaan om u te helpen uw fitnessdoel te bereiken.
- 7) **WILLEKEURIG:** speciaal ontwikkeld programma op basis van een tabel die de weerstand willekeurig wijzigt.
- 8) **DOELHARTSLAGZONE:** simuleert de intensiteit van uw favoriete sport door de programmaweerstand automatisch aan te passen, terwijl uw hartslag binnen een vooraf ingesteld doelbereik wordt gehandhaafd.



- 1) Selecteer het doelhartslagzoneprogramma met behulp van ▲ ▼ en druk op ENTER.
- 2) Selecteer TIME (tijd) met behulp van ▲ ▼ en druk op ENTER.
- 3) Het HARTSLAGVENSTER knippert terwijl de standaard doelhartslag van 80 slagen per minuut wordt weergegeven. Selecteer uw doelhartslag (vanuit de hartslagtrainingstabel) met behulp van ▲ ▼ en druk op ENTER.
- 4) Druk op START ►|| om te beginnen.

### TRAINING OP HARTSLAG

Om te weten wat de juiste intensiteit van uw training is, dient u eerst te weten wat uw maximale hartslag is (max. hartslag = 220 - uw leeftijd). De methode op basis van leeftijd biedt een gemiddelde, statistische prognose van uw maximale hartslag en is een goede methode voor het merendeel van de mensen, en vooral voor diegenen die pas beginnen met hartslagtraining. De meest nauwkeurige en correcte manier om uw eigen maximale hartslag te bepalen, is om deze klinisch te laten testen door een hartspecialist of een sportarts met behulp van een stresstest. Als u ouder bent dan 40, overgewicht hebt, meerdere jaren een zittend leven hebt gehad of als er hartaandoeningen in uw familie voorkomen, dan raden we aan een klinische test te laten uitvoeren. Deze tabel geeft voorbeelden van het hartslagbereik van een 30-jarige die sport bij 5 verschillende hartslagzones. Bijvoorbeeld: de maximale hartslag van een 30-jarige is  $220 - 30 = 190$  slagen per minuut en 90% van de maximale hartslag is  $190 \times 0,9 = 171$  slagen per minuut.

- 9) **PERCENTAGE DOELHARTSLAG:** ondersteunt het gewichtsverlies door een optimaal trainingsniveau te handhaven om vet te verbranden, terwijl de weerstand wordt aangepast om binnen uw doelhartslagzone te blijven. Stel eerst uw persoonlijke gegevens in (de machine zal automatisch uw maximale trainingshartslag berekenen) en selecteer het trainingspercentage op basis van uw maximale hartslag.

Opmerking: het hartslagprogramma is gebaseerd op uw doelhartslag. De weerstand wordt automatisch gewijzigd afhankelijk van uw trapsnelheid en zorgt dat u uw training binnen uw doelhartslag houdt. Trap niet te traag of te snel. Als u buiten de doelzone gaat, wordt er een pijl naast de toerentalkolom op het lcd-scherm weergegeven om u te melden dat uw snelheid moet worden aangepast. Pijl omhoog om uw toerental te verhogen en pijl omlaag om uw toerental te verlagen.

**10) AANGEPAST:** aangepaste training, de tijd wordt standaard op 30 minuten ingesteld.

- 1) Open eerst de programma-instelling en de profielweergave begeleidt u door de volledige trainingskolom.
- 2) Gebruik de pijl omhoog en omlaag om de weerstand te wijzigen en druk op Enter om te bevestigen. De console geeft uw huidig segmentnummer weer en leidt u door segment 1 tot segment 20.
- 3) Na het voltooiën van alle instellingen, drukt u op **START ►||** om te beginnen.



# PROGRAMMATABELLEN



INTERVALLEN																					
Seconden	Opwarmen				Programmasegmenten - Herhalen												Coolingdown				
	60	60	60	60	30	60	60	30	30	60	30	60	30	30	60	60	60	60	60	60	60
Niveau	1	2	3	4	5	6	7	8	9	10	11	12	13	14	15	16	17	18	19	20	
1	1	2	2	3	4	5	1	1	5	5	1	5	1	1	5	5	1	3	2	2	1
2	1	2	2	3	6	2	2	6	6	2	6	2	2	6	6	2	3	2	2	1	
3	1	2	2	4	7	3	3	7	7	3	7	3	3	7	7	3	4	2	2	1	
4	1	2	2	5	8	4	4	8	8	4	8	4	4	8	8	4	5	2	2	1	
5	2	3	5	6	9	5	5	9	9	5	9	5	5	9	9	5	6	5	3	2	
6	2	3	5	7	10	6	6	10	10	6	10	6	6	10	10	6	7	5	3	2	
7	2	3	5	8	11	7	7	11	11	7	11	7	7	11	11	7	8	5	3	2	
8	2	3	5	9	12	8	8	12	12	8	12	8	8	12	12	8	9	5	3	2	
9	3	4	5	10	13	9	9	13	13	9	13	9	9	13	13	9	10	5	4	3	
10	3	4	8	11	14	10	10	14	14	10	14	10	10	14	14	10	11	8	4	3	
11	3	6	10	12	15	11	11	15	15	11	15	11	11	15	15	11	12	10	6	3	
12	3	6	10	13	16	12	12	16	16	12	16	12	12	16	16	12	13	10	6	3	
13	5	9	13	14	17	13	13	17	17	13	17	13	13	17	17	13	14	13	9	5	
14	5	9	13	15	18	14	14	18	18	14	18	14	14	18	18	14	15	13	9	5	
15	5	9	13	16	19	15	15	19	19	15	19	15	15	19	19	15	16	13	9	5	
16	5	9	13	17	20	16	16	20	20	16	20	16	16	20	20	16	17	13	9	5	

GEWICHTSVERLIES																					
Seconden	Opwarmen				Programmasegmenten - Herhalen												Coolingdown				
	60	60	60	60	60	60	60	60	60	60	60	60	60	60	60	60	60	60	60	60	60
Niveau	1	2	3	4	5	6	7	8	9	10	11	12	13	14	15	16	17	18	19	20	
1	1	2	2	3	3	3	4	4	5	5	5	5	4	4	3	3	3	2	2	1	
2	1	2	2	3	4	4	5	5	6	6	6	6	5	5	4	4	3	2	2	1	
3	1	2	2	4	5	5	6	6	7	7	7	7	6	6	5	5	4	2	2	1	
4	1	2	2	5	6	6	7	7	8	8	8	8	7	7	6	6	5	2	2	1	
5	2	3	5	6	7	7	8	8	9	9	9	9	8	8	7	7	6	5	3	2	
6	2	3	5	7	8	8	9	9	10	10	10	10	9	9	8	8	7	5	3	2	
7	2	3	5	8	9	9	10	10	11	11	11	11	10	10	9	9	8	5	3	2	
8	2	3	5	9	10	10	11	11	12	12	12	12	11	11	10	10	9	5	3	2	
9	3	4	5	10	11	11	12	12	13	13	13	13	12	12	11	11	10	5	4	3	
10	3	4	8	11	12	12	13	13	14	14	14	14	13	13	12	12	11	8	4	3	
11	3	6	10	12	13	13	14	14	15	15	15	15	14	14	13	13	12	10	6	3	
12	3	6	10	13	14	14	15	15	16	16	16	16	15	15	14	14	13	10	6	3	



GEWICHTSVERLIES PLUS																					
Seconden	Opwarmen				Programmasegmenten - Herhalen												Coolingdown				
	60	60	60	60	60	60	60	60	60	60	60	60	60	60	60	60	60	60	60	60	60
Niveau	1	2	3	4	5	6	7	8	9	10	11	12	13	14	15	16	17	18	19	20	
1	1	2	2	3	3	3	4	4	5	5	5	5	4	4	3	3	3	2	2	1	
2	1	2	2	3	4	4	5	5	6	6	6	6	5	5	4	4	3	2	2	1	
3	1	2	2	4	5	5	6	6	7	7	7	7	6	6	5	5	4	2	2	1	
4	1	2	2	5	6	6	7	7	8	8	8	8	7	7	6	6	5	2	2	1	
5	2	3	5	6	7	7	8	8	9	9	9	9	8	8	7	7	6	5	3	2	
6	2	3	5	7	8	8	9	9	10	10	10	10	9	9	8	8	7	5	3	2	
7	2	3	5	8	9	9	10	10	11	11	11	11	10	10	9	9	8	5	3	2	
8	2	3	5	9	10	10	11	11	12	12	12	12	11	11	10	10	9	5	3	2	
9	3	4	5	10	11	11	12	12	13	13	13	13	12	12	11	11	10	5	4	3	
10	3	4	8	11	12	12	13	13	14	14	14	14	13	13	12	12	11	8	4	3	
11	3	6	10	12	13	13	14	14	15	15	15	15	14	14	13	13	12	10	6	3	
12	3	6	10	13	14	14	15	15	16	16	16	16	15	15	14	14	13	10	6	3	
13	5	9	13	14	15	15	16	16	17	17	17	17	16	16	15	15	14	13	9	5	
14	5	9	13	15	16	16	17	17	18	18	18	18	17	17	16	16	15	13	9	5	
15	5	9	13	16	17	17	18	18	19	19	19	19	18	18	17	17	16	13	9	5	
16	5	9	13	17	18	18	19	19	20	20	20	20	19	19	18	18	17	13	9	5	

GLOOIENDE HEUVELS																					
Seconden	Opwarmen				Programmasegmenten - Herhalen												Coolingdown				
	60	60	60	60	30	30	30	30	30	30	30	30	30	30	30	30	30	60	60	60	60
Niveau	1	2	3	4	5	6	7	8	9	10	11	12	13	14	15	16	17	18	19	20	
1	1	1	1	2	1	2	3	4	1	2	3	4	1	2	3	4	2	1	1	1	
2	1	1	1	3	2	3	4	5	2	3	4	5	2	3	4	5	3	1	1	1	
3	2	2	2	3	3	4	5	6	3	4	5	6	3	4	5	6	3	2	2	2	
4	2	2	2	4	4	5	6	7	4	5	6	7	4	5	6	7	4	2	2	2	
5	3	3	3	4	5	6	7	8	5	6	7	8	5	6	7	8	5	4	3	3	
6	3	3	3	5	6	7	8	9	6	7	8	9	6	7	8	9	5	3	3	3	
7	4	4	4	5	7	8	9	10	7	8	9	10	7	8	9	10	5	4	4	4	
8	4	4	4	6	8	9	10	11	8	9	10	11	8	9	10	11	6	4	4	4	
9	5	5	5	6	9	10	11	12	9	10	11	12	9	10	11	12	6	5	5	5	
10	5	5	5	7	10	11	12	13	10	11	12	13	10	11	12	13	7	5	5	5	
11	5	5	6	7	11	12	13	14	11	12	13	14	11	12	13	14	7	6	5	5	
12	6	6	6	8	12	13	14	15	12	13	14	15	12	13	14	15	8	6	6	6	
13	6	6	7	8	13	14	15	16	13	14	15	16	13	14	15	16	8	7	6	6	
14	6	7	7	9	14	15	16	16	14	15	16	16	14	15	16	16	9	7	7	6	
15	6	7	8	9	15	16	16	16	15	16	16	16	15	16	16	16	9	8	7	6	



CADANS																					
Seconden	60	60	60	60	30	60	90	60	90	45	60	45	90	90	30	30	60	60	60	60	
	Opwarmen																Coolingdown				
Niveau	1	2	3	4	F	R	F	R	F	R	F	R	F	R	F	R	17	18	19	20	
1	1	1	1	2	3	2	3	1	2	3	1	2	3	1	2	3	2	1	1	1	
2	1	1	1	2	4	3	4	2	3	4	2	3	4	2	3	4	2	1	1	1	
3	1	1	1	2	5	4	5	3	4	5	3	4	5	3	4	5	2	1	1	1	
4	1	1	1	3	6	5	6	4	5	6	4	5	6	4	5	6	3	1	1	1	
5	1	2	3	3	7	6	7	5	6	7	5	6	7	5	6	7	3	3	2	1	
6	1	2	3	4	8	7	8	6	7	8	6	7	8	6	7	8	4	3	2	1	
7	1	2	3	4	9	8	9	7	8	9	7	8	9	7	8	9	4	3	2	1	
8	1	2	3	5	10	9	10	8	9	10	8	9	10	8	9	10	5	3	2	1	
9	1	1	1	2	11	10	11	9	10	11	9	10	11	9	10	11	2	1	1	1	
10	1	1	1	2	12	11	12	10	11	12	10	11	12	10	11	12	2	1	1	1	
11	2	2	2	3	13	12	13	11	12	13	11	12	13	11	12	13	2	1	1	1	
12	3	3	3	4	14	13	14	12	13	14	12	13	14	12	13	14	3	1	1	1	
13	3	4	4	5	15	14	15	13	14	15	13	14	15	13	14	15	3	3	2	1	
14	3	4	5	6	16	15	16	14	15	16	14	15	16	14	15	16	4	3	2	1	

WILLEKEURIG																					
Seconden	Opwarmen				Programmasegmenten										Coolingdown						
	60	60	60	60	60	60	60	60	60	60	60	60	60	60	60	60	60	60	60	60	
Niveau	1	2	3	4	5	6	7	8	9	10	11	12	13	14	15	16	17	17	18		
1	1	1	2	2	1	3	5	2	4	7	2	3	6	1	1	1	1	1	1		
2	1	2	2	3	2	4	6	3	5	8	3	4	7	2	2	1	1	1	1		
3	2	2	3	3	3	5	7	4	6	9	4	5	8	3	2	1	1	1	1		
4	2	3	3	4	4	6	8	5	7	10	5	6	9	4	3	1	1	1	1		
5	3	4	4	4	5	7	9	6	8	11	6	7	10	5	3	3	2	1	1		
6	3	5	4	5	6	8	10	7	9	12	7	8	11	6	4	3	2	1	1		
7	4	5	5	5	7	9	11	8	10	13	8	9	12	7	4	3	2	1	1		
8	4	5	5	5	8	10	12	9	11	14	9	10	13	8	4	3	2	1	1		
9	4	5	5	5	9	11	13	10	12	15	10	11	14	9	5	4	3	1	1		
10	4	5	6	6	10	12	14	11	13	16	11	12	15	10	5	4	3	1	1		
11	4	5	7	7	11	13	15	12	14	17	12	14	16	11	6	5	4	1	1		
12	4	5	8	8	12	14	16	13	15	18	13	14	17	12	6	5	4	1	1		
13	4	5	9	9	13	15	17	14	16	19	14	15	18	13	7	6	5	1	1		
14	4	5	9	9	14	16	18	15	17	20	15	16	19	14	7	6	5	1	1		

Doelhartslagzone	Trainingsduur	Voorbeeld doelhartslagzone (30-jarige)	Uw doelhartslagzone	Aanbevolen voor
HEEL MOEILIK 90-100%	< 5 MIN	171-190 SPM		Voor fitte personen en voor atletiektraining
MOEILIK 80-90%	2-10 MIN	152-171 SPM		Kortere trainingen
GEMIDDELD 70-80%	10-40 MIN	133-152 SPM		Enigszins lange trainingen
GEMAKKELIK 60-70%	40-80 MIN	114-133 SPM		Langere en vaak herhaalde, kortere trainingen
HEEL GEMAKKELIK 50-60%	20-40 MIN	104-114 SPM		Gewichtscontrole en actief herstel



# MONTAGE



## WAARSCHUWING

Er zijn enkele bijzondere aandachtspunten waarmee u tijdens het monteren van dit product rekening moet houden. Het is erg belangrijk dat u de montage-instructies nauwkeurig opvolgt en ervoor zorgt dat alle onderdelen stevig vastgemaakt zijn. Als u de montage-instructies niet correct volgt, kan het zijn dat niet alle frameonderdelen van het apparaat zijn vastgedraaid, waardoor ze los lijken te zitten en irriterende geluiden kunnen veroorzaken. Om schade aan het apparaat te voorkomen, dient u de montage-instructies te raadplegen en corrigerende maatregelen te nemen.

Zoek voordat u verdergaat het serienummer van uw apparaat dat zich op de voorste stabilisatorstang bevindt en vul het serienummer in de hieronder voorziene ruimte in. Zoek ook de modelnaam, die zich naast het serienummer bevindt.

VOER UW SERIENUMMER EN DE MODELNAAM IN DE VAKJES HIERONDER IN:

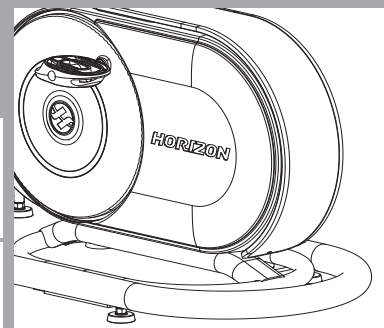
SERIENUMMER:

--	--	--	--	--	--	--	--	--	--	--	--	--	--	--	--	--	--	--	--	--

MODELNAAM:

--	--	--	--	--	--	--	--	--	--	--	--	--	--	--	--	--	--	--	--	--

## LOCATIE VAN SERIENUMMER





CONSOLE

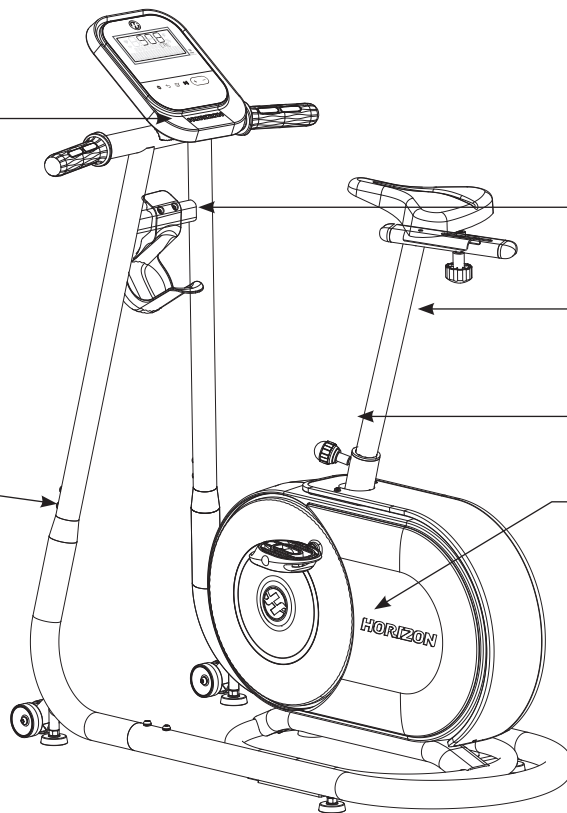
CONSOLEMASTSET

ZADEL

ZADELPEN

STABILISATOR

HOOFDFRAME



## MEEGELEVERD GEREEDSCHAP:

- Inbussleutel/L4
- Inbussleutel + schroevendraaier/L6

## MEEGELEVERDE ONDERDELEN:

- Hoofdframe
- Stabilisator-L
- Stabilisator-R
- Zadelpen
- Zadel
- Consolemastset
- Console

# VOOR DE MONTAGE



## UITPAKKEN

Pak het apparaat uit daar waar u het zult gebruiken. Plaats de kartonnen doos op een horizontale, vlakke ondergrond. We raden aan een bescherming op uw vloer te leggen. Open de doos nooit wanneer hij nog op zijn zij ligt.

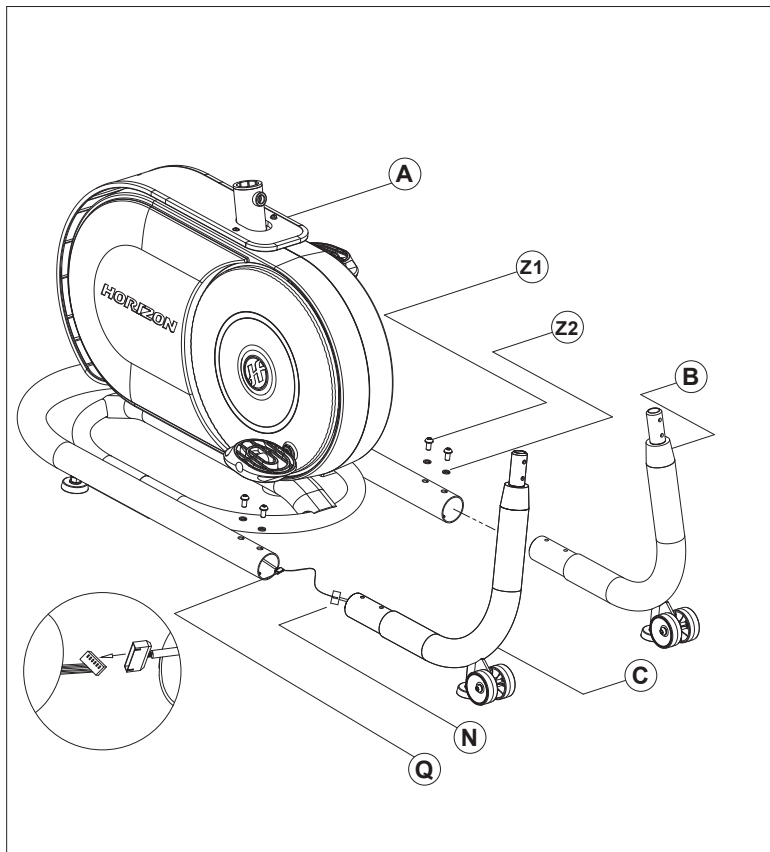
## BELANGRIJKE OPMERKINGEN

- Het wordt aanbevolen om voor het gemak en de efficiëntie de hometrainer door twee personen in elkaar te laten zetten.
- Controleer bij elke stap van de montage of ALLE moeren en bouten op hun plaats zitten en gedeeltelijk vastgedraaid zijn. We raden aan het toestel eerst volledig ineen te zetten voordat u OM HET EVEN WELKE bout volledig aandraait.
- Verschillende onderdelen werden vooraf gesmeerd om de montage en het gebruik te vergemakkelijken. Verwijder de smeerproducten niet. Als u problemen ondervindt, adviseren we u een kleine hoeveelheid lithiumvet (voor fietsen) aan te brengen.

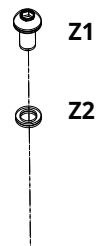
## HULP NODIG?

Neem contact op met onze technische klantenservice als u vragen heeft of als er onderdelen ontbreken. U vindt de contactgegevens aan de achterkant van deze handleiding.

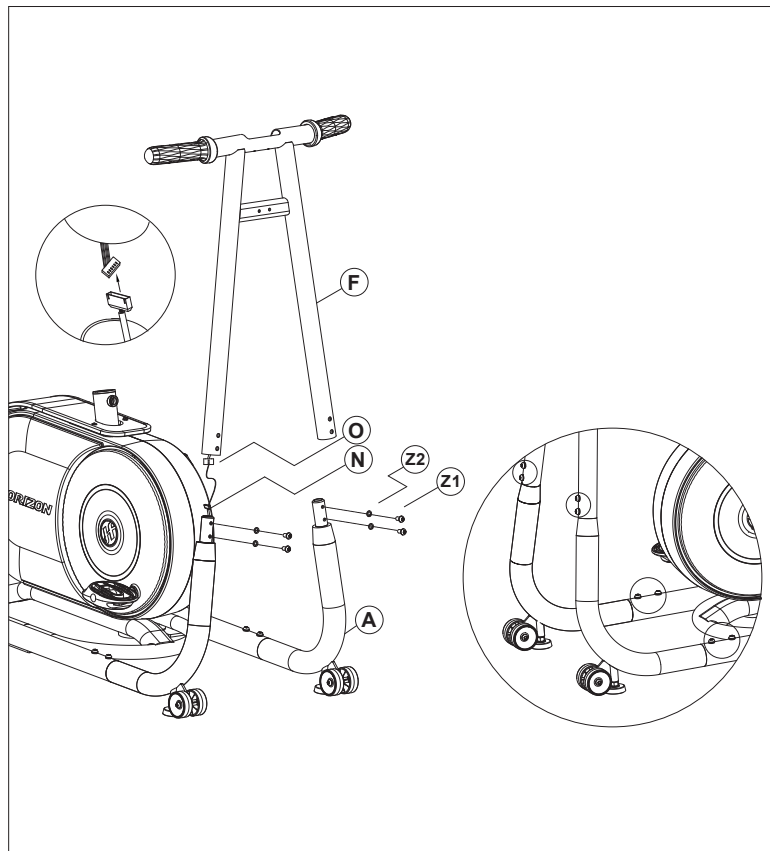
# MONTAGE STAP 1



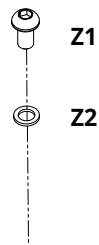
- A Verbind de **CONSOLEDRAAD-ONDER (Q)** en **CONSOLEDRAAD-MIDDEN (N)**
- B Maak **STABILISATOR-R (C)** vast aan **HOOFDFRAME (A)** en schroef vast met 2 x **GEREEDSCHAPSELEMENTEN (Z1+Z2)**, draai de schroeven in deze stap niet vast.
- C Maak **STABILISATOR-L (B)** vast aan **HOOFDFRAME (A)** en schroef vast met 2 x **GEREEDSCHAPSELEMENTEN (Z1+Z2)**, draai de schroeven in deze stap niet vast.



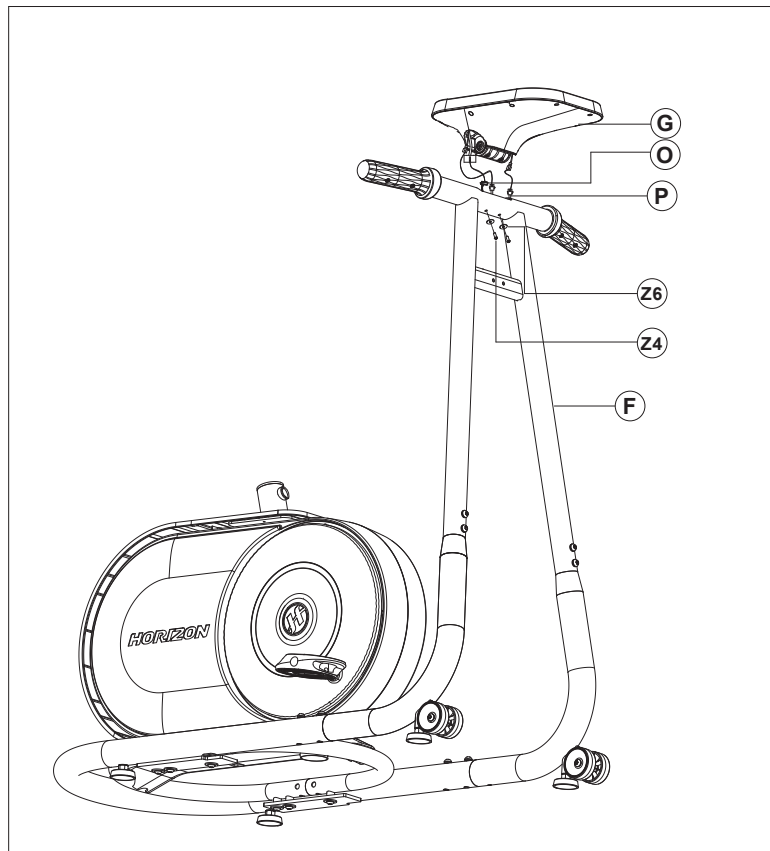
## MONTAGE STAP 2



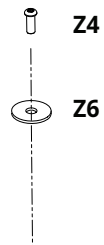
- A Maak de **CONSOLEDRAAD-MIDDEN (N)** en **CONSOLEDRAAD-BOVEN (O)** vast
- B Schuif de **CONSOLEMASTSET (F)** op de **STABILISATOR-R (C)** en **STABILISATOR-L (B)**
- C Maak 2 x **GEREEDSCHAPSELEMENTEN (Z1+Z2)** vast aan de **STABILISATOR-R (C)** en doe hetzelfde aan de linkerkant, draai de schroeven in deze stap niet vast



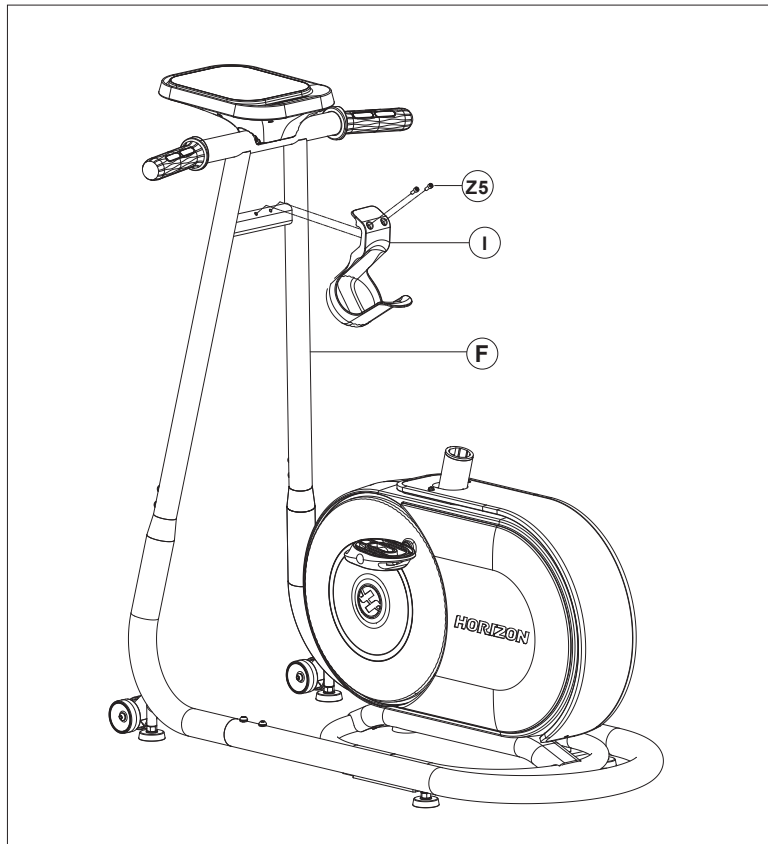
## MONTAGE STAP 3



- A Verbind de **CONSOLEDRAAD-BOVEN (O)** en **HARTSLAGDRAAD-BOVEN (P)** met de **CONSOLE (G)**
- B Maak de **CONSOLE (G)** vast aan de **CONSOLEMASTSET (F)** en draai de 2 x **GEREEDSCHAPSELEMENTEN (Z4+Z6)** vast



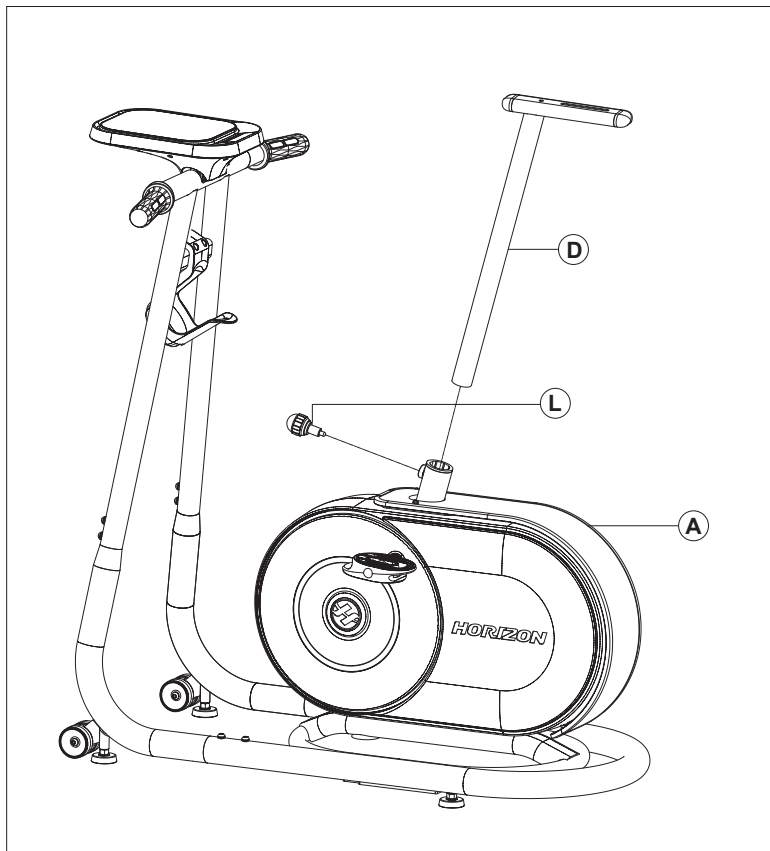
## MONTAGE STAP 4



- A Maak de **BIDONHOUDER (I)** vast aan de **CONSOLEMASTSET (F)** en draai de 2 x **SCHROEVEN (Z5)** vast



## MONTAGE STAP 5

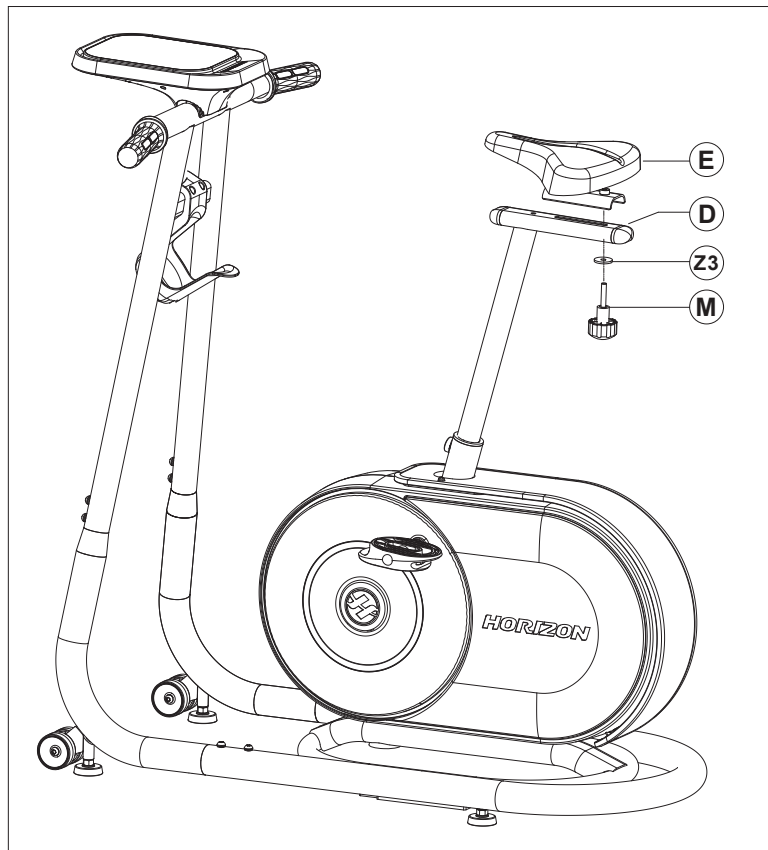


- A Schuif de **ZADELPEN (D)** op het **HOOFDFRAME (A)** en maak vast met behulp van de **HOOGTEAFSTELKNOP (L)**.





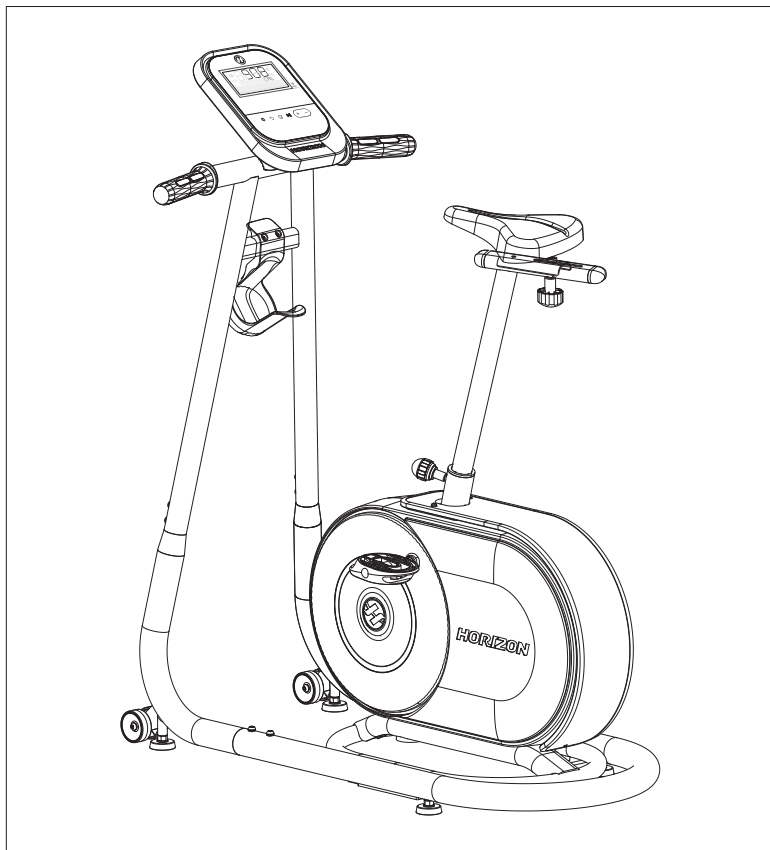
## MONTAGE STAP 6



- A Maak het **ZADEL (E)** vast aan de **ZADELPEN (D)** en draai vervolgens de **ZADELAFSTELKNOP (M)** en de **VLAKKE SLUITRING (Z3)** vast



## MONTAGE STAP 7



**DE MONTAGE IS VOLTOOID!**

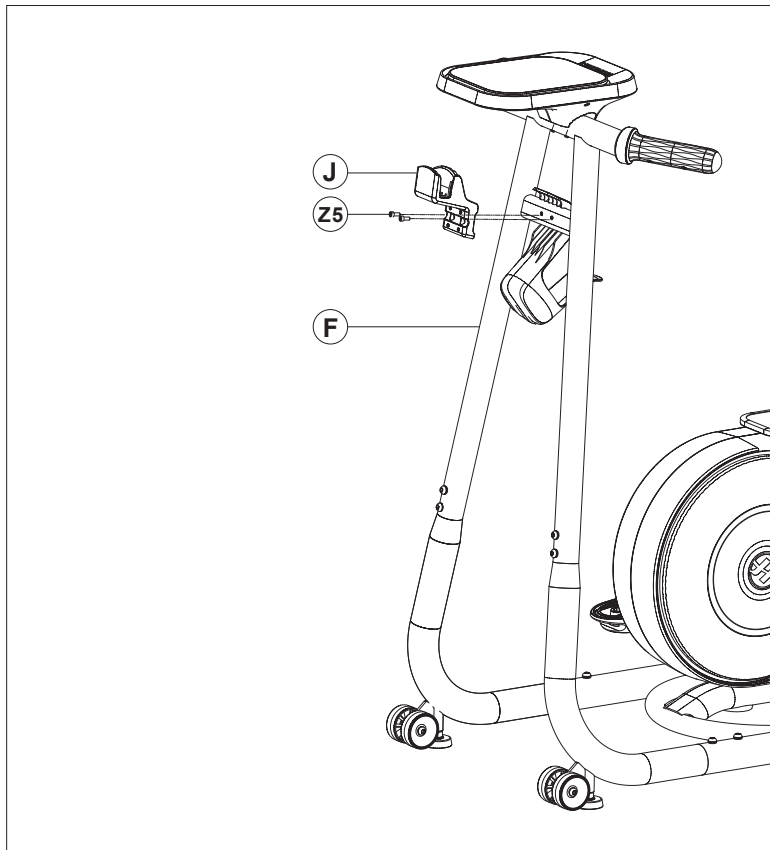
# MONTAGE VAN OPTIONELE ACCESSOIRES



NEDERLANDS

111

## OPTIONELE ACCESSOIRES



### ACCESSOIREBLAD STAP 1

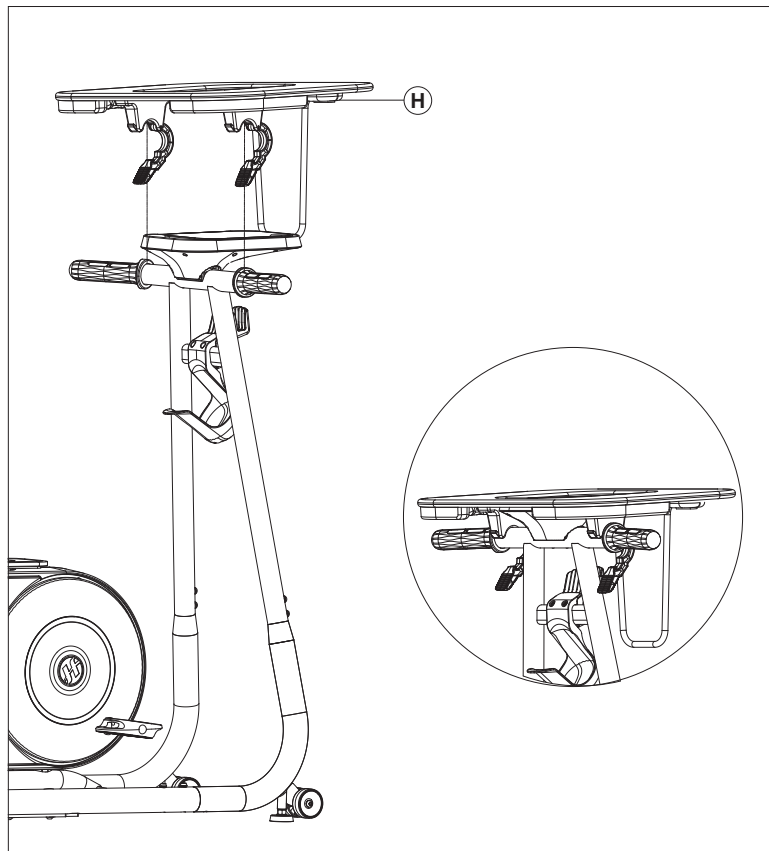
- A Maak de **ACCESSOIREBLADHOUDER (J)** vast aan de **CONSOLEMASTSET (F)** en draai de 2 x **SCHROEVEN (Z5)** vast



Z5



## OPTIONELE ACCESSOIRES

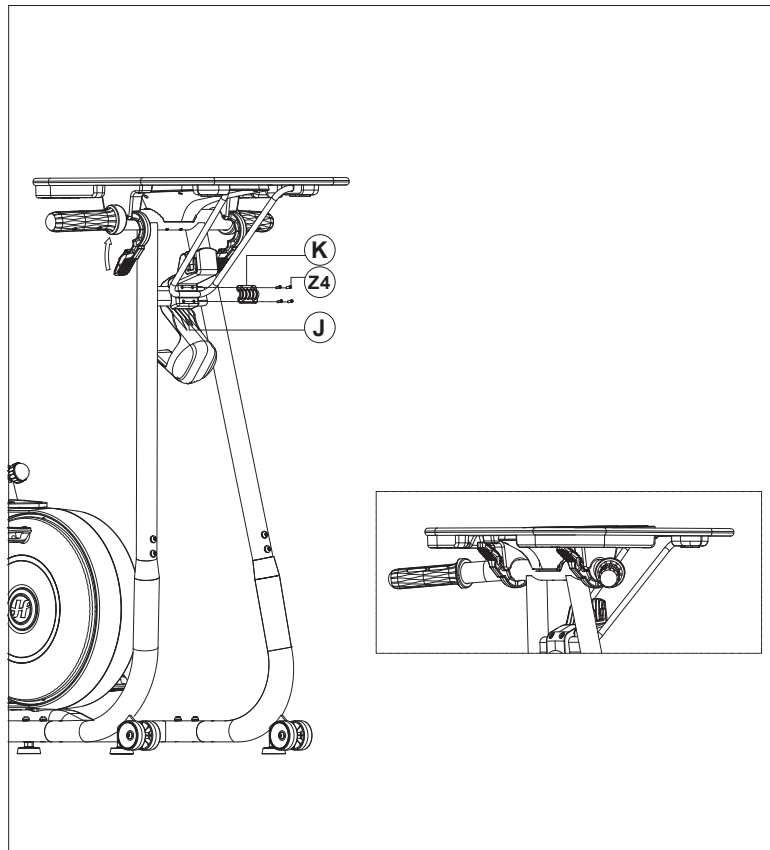


### ACCESSOIREBLAD STAP 2



- A Klap de **CONSOLE** horizontaal neer en plaats het **ACCESSOIREBLAD** op het stuur

## OPTIONELE ACCESSOIRES

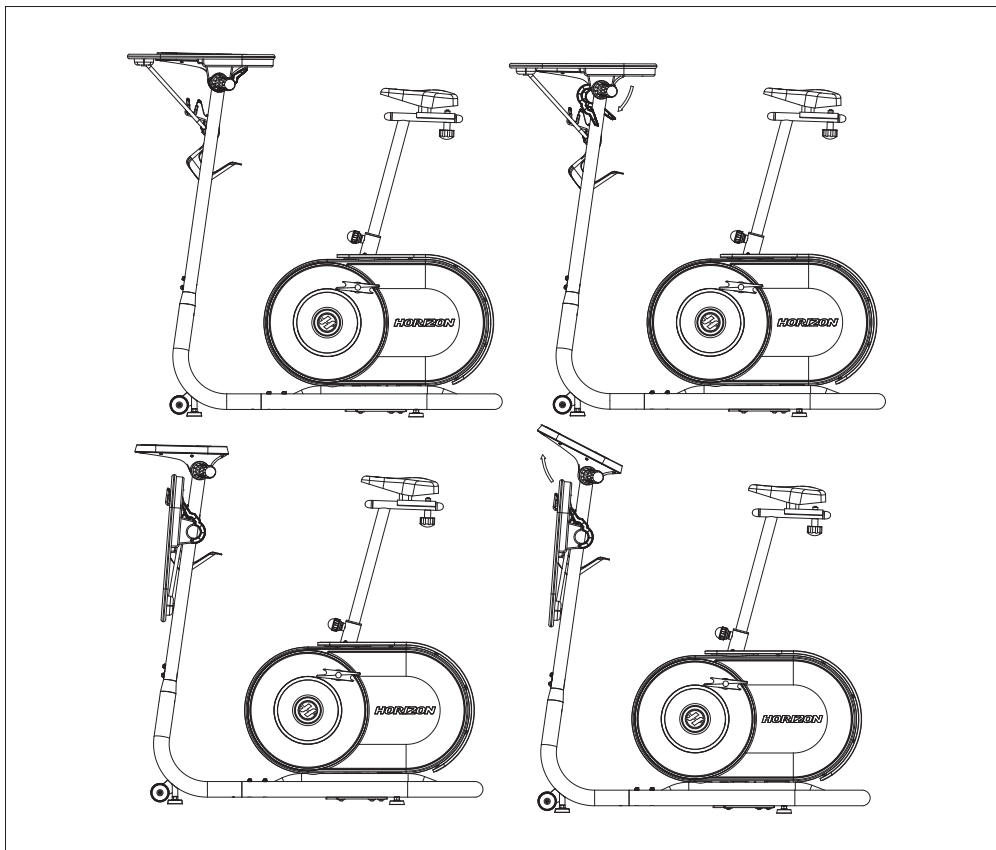


### ACCESSOIREBLAD STAP 3

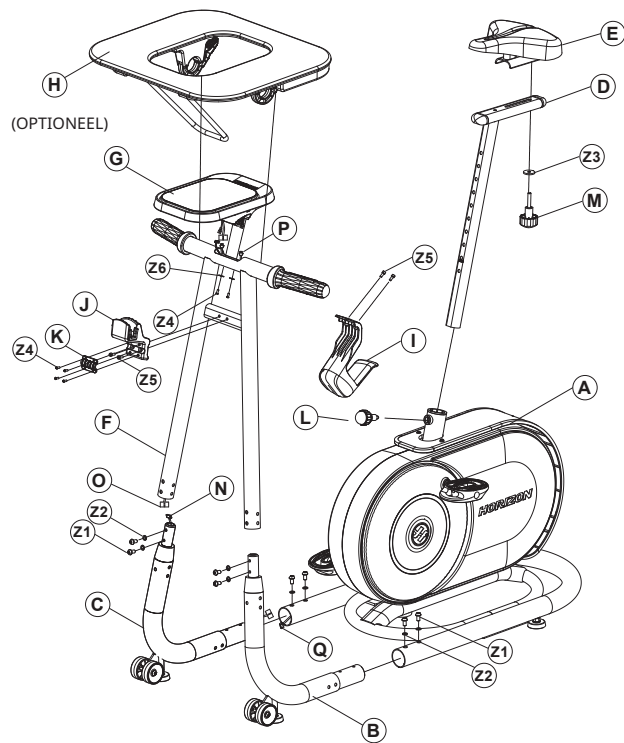
- A Maak de hendel van het **ACCESSOIREBLAD** vast aan de **ACCESSOIREBLADHOUDER (J)** en maak de **AFDEKKING VAN DE ACCESSOIREBLADHOUDER (K)** vast met 4 x **SCHROEVEN (Z4)**
- B Vergrendel het veiligheidsslot.

 **Z4**

# OPTIONELE ACCESSOIRES



## BT5.1 OPENGEWERKTE TEKENING



## BT5.1 ONDERDELENLIJST

NR.	BESCHRIJVING	AANTAL
A	HOOFDFRAME	1
B	STABILISATOR-L	1
C	STABILISATOR-R	1
D	ZADELPEN	1
E	ZADEL	1
F	CONSOLEMASTSET	1
G	CONSOLE	1
H	ACCESSOIREBLAD (OPTIONEEL)	1
I	BIDONHOUDER	1
J	ACCESSOIREBLADHOUDER (OPTIONEEL)	1
K	AFDEKKING ACCESSOIREBLADHOUDER (OPTIONEEL)	1
L	HOOGTE-AFSTELKNOP	1
M	ZADELAFSTELKNOP	1
N	CONSOLEDDRAAD-MIDDEN (L=800 mm)	1
O	CONSOLEDDRAAD-BOVEN (L=800 mm)	1
P	HARTSLAGDRAAD (L=260 mm)	2
Q	CONSOLEDDRAAD-ONDER (L=1200 mm)	1
Z1	SCHROEF M8*15	8
Z2	VLAKKE SLUITRING Ø8,5*Ø16*T1,5	8
Z3	VLAKKE SLUITRING Ø8,5*Ø30* T3,0	1
Z4	SCHROEF M4*10	6
Z5	SCHROEF M5*12	4
Z6	VLAKKE SLUITRING Ø4*Ø14* T1,0	2





# PROBLEEMOPLOSSING EN ONDERHOUD



OPMERKING: de volgende instructies kunnen afwijken afhankelijk van het model dat u hebt gekocht. Neem contact op met uw lokale dealer voor meer informatie.

## VEEL GESTELDE VRAGEN OVER HET PRODUCT



### ZIJN DE GELUIDEN DIE MIJN HOMETRAINER MAAKT NORMAAL?

Onze hometrainers zijn één van de stilste trainers op de markt, omdat ze gebruikmaken van aandrijfriemen en magnetische weerstand zonder wrijving. We gebruiken de meest hoogwaardige lagers en banden om geluiden te minimaliseren. Omdat het weerstandssysteem zelf echter zo stil is, zult u af en toe andere, licht mechanische geluiden horen. Bij onze hometrainers hebt u geen lawaai van ventilatoren, wrijvingsbanden of wisselstroomdynamo's die deze geluiden maskeren, wat bij oudere, luidruchtigere technologieën wel het geval is. Deze mechanische geluiden, die zich wel of niet met tussenpozen voordoen, zijn normaal en worden veroorzaakt doordat een aanzienlijke hoeveelheid energie naar een snel draaiend vliegwiel wordt overgedragen. Alle lagers, banden en andere ronddraaiende onderdelen veroorzaken enig geluid, dat via de behuizing en het frame wordt doorgegeven. Het is ook normaal dat deze geluiden enigszins veranderen tijdens een training en in de loop van de tijd, door de thermische expansie van de onderdelen.

### WAAROM MAAKT DE HOMETRAINER DIE IK HEB GEKOCHT MEER GELUID DAN DIE IN DE WINKEL?

Alle fitnessproducten lijken stiller in een grote winkel, omdat daar over het algemeen meer achtergrondgeluiden zijn dan in uw eigen huis. Er zal tevens minder weerkaatsing zijn op een betonnen ondervloer met tapijt dan op een houten vloer. Soms kan een zware rubberen mat helpen om de weerkaatsing via de vloer te verminderen. Als een fitnessproduct dicht bij een muur wordt geplaatst, zullen de geluiden sterker weerkaatsen.

### WAT IS DE LEVENSDUUR VAN DE AANDRIJFRIEM?

De computermodellen die we hebben uitgevoerd, gaven aan dat ze praktisch duizenden uren zonder onderhoud moeten meegaan. Zolang u de hometrainer heeft, hoeft u de aandrijfriem niet te vervangen.

### KAN IK DE HOMETRAINER MAKKELIJK VERPLAATSEN ALS DIE EENMAAL IN ELKAAR IS GEZET?

Uw hometrainer beschikt over een paar transportwieltjes die in de stabilisatorstang aan de voorkant zijn ingebouwd. Raadpleeg het gedeelte over DE HOMETRAINER VERPLAATSEN om uw hometrainer te vervoeren. Het is belangrijk dat u uw hometrainer in een comfortabele en uitnodigende kamer plaatst. Uw hometrainer is ontworpen om zo min mogelijk vloeroppervlak in te nemen. Veel mensen plaatsen hun hometrainer voor de tv of een venster met een uitzicht. Vermijd indien mogelijk om uw hometrainer in een onafgewerkte kelder te plaatsen. Om training tot een prettige dagelijkse activiteit te maken voor u, moet de hometrainer in een comfortabele omgeving staan.

## EENVOUDIGE PROBLEEMOPLOSSING



**PROBLEEM:** De console is niet verlicht.

**OPLOSSING:** Controleer het volgende:

- Controleer of het stopcontact werkt waar de machine op is aangesloten. Kijk ook of de stroomonderbreker niet is doorgeslagen.
- Kijk of de juiste stroomkabel wordt gebruikt. Gebruik alleen de stroomkabel die is meegeleverd of door uw lokale dealer wordt voorzien.
- Controleer of de stroomkabel niet bekneld of beschadigd is en stevig in het stopcontact zit EN de machine is aangesloten.
- Haal de stekker uit het stopcontact, verwijder de console en controleer of alle aansluitingen op de console stevig vastzitten en niet beschadigd of bekneld zijn.

**PROBLEEM:** De console licht op, maar de teller voor afstand/watt/TPM werkt niet.

**OPLOSSING:** Controleer het volgende:

- Haal de stekker uit het stopcontact, verwijder de console en controleer of alle aansluitingen op de console stevig vastzitten en niet beschadigd of bekneld zijn.
- Als met het bovenstaande het probleem niet wordt opgelost, dan kan het zijn dat de snelheidssensor en/of de magneet losgeraakt of beschadigd is/zijn.

**PROBLEEM:** De weerstandsniveaus kloppen niet en lijken te zwaar of te licht.

**OPLOSSING:** Controleer het volgende:

- Kijk of de juiste stroomkabel wordt gebruikt. Gebruik alleen de stroomkabel die is meegeleverd of door uw lokale dealer is goedgekeurd.
- Reset de console en laat de weerstand resetten naar de standaardpositie. Start de weerstandsniveaus opnieuw op en probeer ze uit.

**PROBLEEM:** De hometrainer maakt een krakend of piepend geluid.

**OPLOSSING:** Controleer het volgende:

- Staat de hometrainer op een effen oppervlak?
- Draai alle gemonteerde bouten los, smeer de schroefdraad en draai ze opnieuw vast.



**PROBLEEM:** Als de MP3-speler is aangesloten, komt er geen geluid uit de speakers of het geluid is slecht.

**OPLOSSING:** Zorg dat de audiokabel goed aangesloten zit op zowel de console als de ingang op de MP3-speler.

## PROBLEEMOPLOSSING - HARTSLAG

Controleer uw trainingsomgeving op bronnen die storing kunnen veroorzaken, zoals fluorescerende lampen, computers, ondergrondse omheining, inbraakbeveiligingssystemen of apparaten met zware motoren. Deze items kunnen voor een onregelmatige meting van de hartslag zorgen.

U kunt een onregelmatige meting krijgen bij de volgende omstandigheden:

- De handgrepen met hartslagsensoren worden te hard vastgegrepen. Probeer de druk op de handgrepen wat te verlichten, terwijl u ze wel blijft vasthouden.
- Voortdurende beweging en trilling doordat de handgrepen constant worden vastgehouden tijdens het trainen. Als u onregelmatige metingen van de hartslag krijgt, probeer dan de handgrepen alleen vast te houden tijdens het meten van uw hartslag.
- Als u zwaar ademt tijdens een training.
- Als uw handen beklemd raken omdat u een ring draagt.
- Als uw handen droog of koud zijn. Probeer uw handen vochtig te maken door ze tegen elkaar warm te wrijven.
- Bij personen met zware aritmie.
- Bij personen met aderverkalking of perifere circulatieproblemen.
- Bij personen van wie de huid op de handpalm waar de meting plaatsvindt erg dik is.

Als dit probleemoplossingsgedeelte het probleem niet verhelpt, stop dan met het gebruik van het apparaat en schakel de stroom uit.  
**NEEM CONTACT OP MET UW LOKALE DEALER.**



De volgende gegevens kunnen worden gevraagd wanneer u belt. Zorg dat u deze items bij de hand hebt:

- Naam van model
- Serienummer
- Aankoopbewijs (kassabon of een creditcardafschrift)

Om ervoor te zorgen dat uw lokale dealer de hometrainer op een gepaste manier kan repareren, kunnen er gedetailleerde vragen worden gesteld over de symptomen die zich voordoen. Enkele probleemoplossende vragen die kunnen worden gesteld:

- Hoelang duurt dit probleem al?
- Vindt dit probleem plaats bij elk gebruik? Bij elke gebruiker?
- Als u een geluid hoort, komt dit dan van de voor- of achterkant? Wat voor geluid is het (bonzen, schuren, kraken, piepen, enz.)?
- Is de machine gesmeerd en onderhouden volgens het ONDERHOUDSSHEMA?

Door deze en andere vragen te beantwoorden, kunnen de technici de juiste vervangende onderdelen naar u sturen en de nodige service bieden, zodat zowel u als uw hometrainer weer aan het werk kunnen!



## ONDERHOUD

### WAT VOOR STANDAARDONDERHOUD IS ER NODIG?

We gebruiken afgedichte lagers voor al onze fietsen, waardoor smeerbeurten niet nodig zijn. De belangrijkste onderhoudsstap is om eenvoudigweg na elk gebruik uw transpiratie van de fiets te vegen.

### HOE MAAK IK MIJN FIETS SCHOON?

Maak alleen schoon met zeep en schoonmaakmiddelen op waterbasis. Gebruik nooit oplosmiddelen op plastic onderdelen. Het schoonhouden van uw fiets en de omgeving zal problemen en onderhoudsbeurten tot een minimum beperken. Daarom raden we aan om het volgende preventieve onderhoudsschema op te volgen.

### NA ELK GEBRUIK (DAGELIJKS)

- Zet de fiets uit door de stekker uit het stopcontact te halen.
- Veeg de fiets af met een vochtige doek. Gebruik nooit oplosmiddelen, aangezien deze de fiets kunnen beschadigen.
- Inspecteer de stroomkabel. Als de stroomkabel beschadigd is, dient u contact op te nemen met uw lokale dealer.
- Zorg dat de stroomkabel zich niet onder de fiets bevindt of op een andere plek waar het bekneld kan raken of doorgesneden kan worden.



## WAARSCHUWING

Om de voeding van de hometrainer los te koppelen, moet de stekker uit het stopcontact worden gehaald.

### ELKE WEEK

Maak onder de fiets schoon, aan de hand van de volgende stappen:

- Zet de fiets uit.
- Verplaats de fiets naar een externe locatie.
- Veeg het stof of andere objecten op die zich hebben opgehoopt onder de fiets of verwijder ze met een stofzuiger.
- Zet de fiets terug op zijn plek.

### ELKE MAAND

- Controleer of alle verbindingbouten en pedalen van de machine goed vastzitten.
- Verwijder al het vuil van de geleiderails voor het zadel.

# PRÉCAUTIONS IMPORTANTES



## LISEZ ET CONSERVEZ CES INSTRUCTIONS

Lisez attentivement ce manuel d'instructions pour VÉLO D'ENTRAÎNEMENT avant d'utiliser le GUIDE D'UTILISATION. Lors de l'utilisation d'un appareil électrique, des précautions de base doivent toujours être respectées, notamment : lire toutes les instructions avant d'utiliser ce vélo d'entraînement. Il incombe au propriétaire de s'assurer que tous les utilisateurs de ce vélo d'entraînement sont adéquatement informés de tous les avertissements et de toutes les précautions. Si vous avez des questions après la lecture de ce guide, contactez votre revendeur local.



## DANGER

### POUR RÉDUIRE LE RISQUE DE DÉCHARGE ÉLECTRIQUE :

Débranchez toujours le vélo d'entraînement de la prise électrique immédiatement après utilisation, avant tout nettoyage, toute opération de maintenance ou tout ajout ou retrait de pièces.



## AVERTISSEMENT

### AFIN DE RÉDUIRE LES RISQUES DE BRÛLURES, DE FEU ET DE CHOC ÉLECTRIQUE OU DE BLESSURES :

- En cas de douleur, quelle qu'elle soit, et notamment de douleurs thoraciques, de nausées, de vertiges ou de manque de souffle, arrêtez immédiatement l'exercice et consultez un médecin avant de reprendre.
- Durant vos exercices, veillez à maintenir un rythme régulier et agréable.
- Pour garder l'équilibre, il est recommandé de saisir les poignées du guidon pendant l'entraînement et lorsque vous montez et descendez de l'appareil.
- Gardez les mains et les pieds loin des pièces en mouvement pour éviter de vous blesser. Ne tournez jamais les manivelles de pédalier à la main.
- Ne portez pas de vêtements qui risquent de se coincer dans le vélo d'entraînement.
- N'utilisez pas ce vélo d'appartement sans chaussures adaptées. N'utilisez JAMAIS le vélo d'appartement les pieds nus.
- Ne sautez pas sur le vélo d'entraînement.
- Attendez que les pédales S'ARRÊTENT complètement avant de descendre du vélo d'appartement.
- Ne permettez jamais l'accès à plus d'une personne à la fois sur le vélo d'entraînement.
- Ce vélo d'entraînement ne doit pas être utilisé par des personnes ayant un poids supérieur à celui indiqué dans la SECTION « GARANTIE » DU GUIDE D'UTILISATION. Le non-respect de cette consigne entraînera l'annulation de la garantie.
- Ce vélo d'entraînement est destiné à une utilisation domestique uniquement. N'utilisez pas ce vélo d'entraînement dans un environnement commercial, de location, scolaire ou institutionnel. Le non-respect de cette consigne entraînera l'annulation de la garantie.
- Cet appareil est conforme à la norme EN 957-1/-5, classe de l'appareil : HB ; système de freinage ajustable.
- N'utilisez pas le vélo d'entraînement dans des lieux où la température n'est pas régulée, y compris, mais sans s'y limiter, les vérandas, salles de piscine, salles de bains, abris pour voitures ou à l'extérieur. Le non-respect de cette consigne entraînera l'annulation de la garantie.
- Pour éviter les décharges électriques, ne laissez jamais tomber ou n'insérez jamais un objet dans une ouverture.
- Assurez-vous que les leviers de réglage (siège et guidon avant-arrière) sont bien sécurisés et qu'ils ne perturbent pas la plage de mouvement lors de l'exercice.



## **AVERTISSEMENT**

### **AFIN DE RÉDUIRE LES RISQUES DE BRÛLURES, DE FEU ET DE CHOC ÉLECTRIQUE OU DE BLESSURES :**

- Raccordez cet appareil d'exercice uniquement à une prise correctement mise à la terre.
- Veillez à ce que le cordon d'alimentation n'entre pas en contact avec des surfaces chaudes. Ne déplacez jamais cet appareil par le cordon d'alimentation ou n'utilisez pas le cordon comme poignée.
- N'utilisez pas d'accessoires non recommandés par le fabricant de l'appareil. Certains accessoires peuvent provoquer des blessures.
- N'utilisez pas la machine dans des endroits où des produits en aérosols (spray) sont pulvérisés et où de l'oxygène est administré.
- Utilisez le vélo d'entraînement uniquement comme décrit dans le manuel d'instructions du vélo d'entraînement et le guide d'utilisation.
- Débranchez l'appareil avant de le réparer ou de le déplacer. Nettoyez les surfaces uniquement avec du savon et un chiffon légèrement humide ; n'utilisez jamais de solvants (voir la section MAINTENANCE)
- Ne laissez jamais le vélo d'entraînement sans surveillance lorsqu'il est branché. Débranchez-le de la prise de courant lorsqu'il n'est pas utilisé et avant de mettre ou d'enlever des pièces.
- Ne l'utilisez pas sous une couverture ou un coussin. La chaleur accumulée peut provoquer un incendie, une décharge électrique ou blesser une personne.
- Les animaux de compagnie et les enfants de moins de 13 ans doivent TOUJOURS se tenir au moins à 3 m (10 pieds) de la machine.
- Les enfants de moins de 13 ans ne doivent JAMAIS utiliser le vélo d'entraînement.
- Les enfants de plus de 13 ans ou les personnes handicapées peuvent utiliser le vélo d'entraînement uniquement sous la surveillance d'un adulte.
- N'utilisez pas un vélo d'entraînement dont le cordon ou la fiche sont endommagés, ou s'il ne fonctionne pas correctement, s'il est tombé, s'il a été endommagé, ou s'il est tombé dans l'eau. Renvoyez le vélo d'entraînement à un centre de service pour examen et réparation.
- Veillez à ce que le cordon d'alimentation n'entre pas en contact avec des surfaces chaudes. Ne déplacez jamais cet appareil par le cordon d'alimentation ou n'utilisez pas le cordon comme poignée.
- Pour débrancher votre appareil, éteignez toutes les commandes puis retirez le cordon d'alimentation de la prise électrique.
- Ne retirez pas les caches de la console à moins que votre revendeur local ne vous le demande. Les réparations doivent être effectuées seulement par un technicien certifié.





## INSTRUCTIONS DE MISE À LA TERRE

En cas de dysfonctionnement ou de défaillance du vélo d'entraînement, la mise à la terre fournira au courant électrique une résistance moindre afin de réduire les risques d'électrocution. Cet appareil est équipé d'un cordon d'alimentation avec conducteur et fiche de mise à la terre. Cet appareil doit être branché sur une prise de courant adéquate, installée correctement, et mise à la terre conformément aux normes et aux règlements locaux.

Une connexion inappropriée du conducteur de mise à la terre de l'appareil peut occasionner un risque d'électrocution. Demandez conseil à un électricien ou réparateur qualifié si vous n'êtes pas sûr(e) que l'appareil est correctement relié à la terre. Ne modifiez pas la fiche d'alimentation fournie avec l'appareil. Si elle ne convient pas à votre prise de courant, faites installer une prise adéquate par un électricien qualifié.

Il est impératif que votre vélo d'entraînement soit utilisé à l'intérieur, dans une pièce climatisée. Si votre vélo d'entraînement a été exposé à des températures basses ou à une forte humidité, il est fortement recommandé de le laisser réchauffer à la température ambiante avant de l'utiliser. Le non-respect de cette consigne peut provoquer une usure prématurée des composants électroniques.

# FONCTIONNEMENT DE BASE



## NOUS VOUS FÉLICITONS D'AVOIR CHOISI VOTRE VÉLO D'ENTRAÎNEMENT !

Vous venez de franchir une étape importante dans le développement et le maintien d'un programme d'exercice ! Votre vélo d'entraînement est un outil extrêmement efficace pour atteindre vos objectifs personnels en matière de forme physique. L'utilisation régulière du vélo d'entraînement vous aidera à améliorer votre qualité de vie de multiples façons.

Voici certains bienfaits de l'exercice physique :

- Perte de poids
- Bonne santé cardiaque
- Amélioration du tonus musculaire
- Hausse de la vitalité au quotidien

Il est essentiel de mener des activités physiques régulières pour bénéficier de ces avantages. Votre nouveau vélo d'entraînement vous aidera à éliminer les obstacles qui vous empêchent de vous entraîner. Le mauvais temps et l'obscurité ne pourront plus nuire à votre entraînement physique lorsque vous utiliserez votre vélo d'entraînement chez vous. Ce manuel d'instructions vous fournit les connaissances de base afin que vous puissiez utiliser et profiter pleinement de votre nouvel appareil.



## EMPLACEMENT DE VOTRE VÉLO D'ENTRAÎNEMENT

Installez votre vélo d'entraînement sur une surface plane. Il est recommandé de garder un espace libre de 92 cm (3 pi) derrière le vélo d'entraînement, de 92 cm (3 pi) de chaque côté et de 31 cm (1 pi) sur le devant pour le cordon d'alimentation. Ne placez pas le vélo d'entraînement de façon à bloquer la circulation d'air ou les grilles d'aération. Le vélo d'entraînement ne doit pas être placé dans un garage, une véranda, près d'une source d'eau ni à l'extérieur.

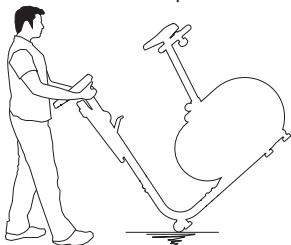
## DÉPLACEMENT DU VÉLO D'ENTRAÎNEMENT

Votre vélo d'entraînement est équipé d'une paire de roulettes de transport intégrées dans la barre stabilisatrice avant. Débranchez le câble d'alimentation électrique avant de déplacer le vélo.

## ! AVERTISSEMENT

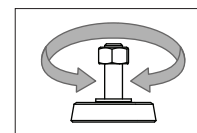
Les vélos d'entraînement sont très lourds, soyez prudent et appelez quelqu'un pour vous aider à transporter votre appareil si nécessaire. Le non-respect de ces instructions peut provoquer des blessures.

**VÉLOS À CYCLES PROGRESSIFS :**  
saisissez fermement le guidon,  
inclinez doucement l'appareil vers  
vous et faites-le rouler sur ses  
roulettes de transport.

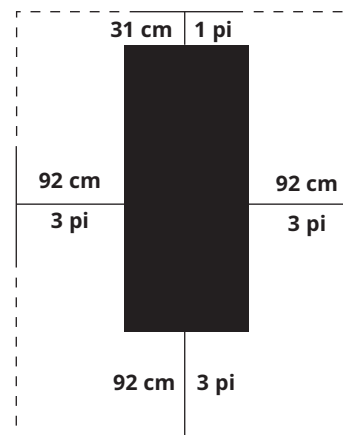


## MISE DE NIVEAU DU VÉLO D'EXERCICE

Pour une utilisation optimale, votre vélo d'entraînement doit être mis de niveau. Placez votre vélo d'entraînement à l'emplacement souhaité. Ajustez les deux pieds réglables arrière afin que le vélo soit de niveau. Ensuite, ajustez le troisième pied réglable situé sous le tube du cadre principal afin qu'il affleure le sol. Une fois votre vélo d'entraînement de niveau, verrouillez la position des pieds réglables en serrant les écrous contre le châssis. Les pieds réglables pourraient être différents de ceux illustrés ci-contre et ne pas comporter de système de verrouillage.



**RÉGLAGE DE LA  
HAUTEUR**



## POSITION DU SIÈGE

Afin de déterminer la position adéquate du siège, installez-vous dessus et placez la plante de votre pied au centre de la pédale. Votre genou doit être légèrement plié lorsque la pédale est dans la position la plus éloignée. Vous devriez pouvoir pédaler sans bloquer les genoux ni balancer votre poids d'un côté et de l'autre.

REMARQUE : il est conseillé de ne pas s'asseoir sur le siège pendant le réglage de sa position.

## RÉGLAGE DE LA SELLE SUR LES VÉLOS À CYCLES PROGRESSIFS

Les vélos à cycles progressifs sont équipés d'une goupille de réglage de siège afin d'ajuster facilement et en toute sécurité la hauteur du siège. Pour régler la hauteur de la selle, descendez du vélo et desserrez la molette de réglage en la tournant deux fois d'un demi-tour dans le sens inverse des aiguilles d'une montre. Tirez sur la molette pour déverrouiller la tige et l'ajuster vers le haut ou vers le bas, de façon à obtenir la position souhaitée. Relâchez la molette pour verrouiller la tige dans cette position. Tournez la molette dans le sens des aiguilles d'une montre jusqu'à ce qu'elle soit bien serrée. Avant chaque utilisation, veillez à ce que la tige de la selle soit bien verrouillée dans sa position.





## ALIMENTATION

Votre vélo d'exercice fonctionne avec une alimentation électrique. Le câble d'alimentation doit être branché au connecteur d'alimentation situé à l'avant de l'appareil, près de la barre stabilisatrice. Débranchez le câble lorsque l'appareil n'est pas utilisé.



## AVERTISSEMENT

N'utilisez jamais l'appareil si le câble d'alimentation ou la prise sont endommagés, s'il ne fonctionne pas correctement, s'il a été endommagé ou s'il a été immergé. Veuillez contacter votre revendeur local pour qu'il effectue un examen et une réparation.

## UTILISATION DE LA FONCTION FRÉQUENCE CARDIAQUE

Votre vélo d'entraînement peut être équipé de capteurs tactiles de fréquence cardiaque ou d'un capteur de surveillance du pouls pour le pouce. Reportez-vous au début de la section ASSEMBLAGE de votre GUIDE D'UTILISATION afin de connaître le type de capteur dont dispose votre modèle.

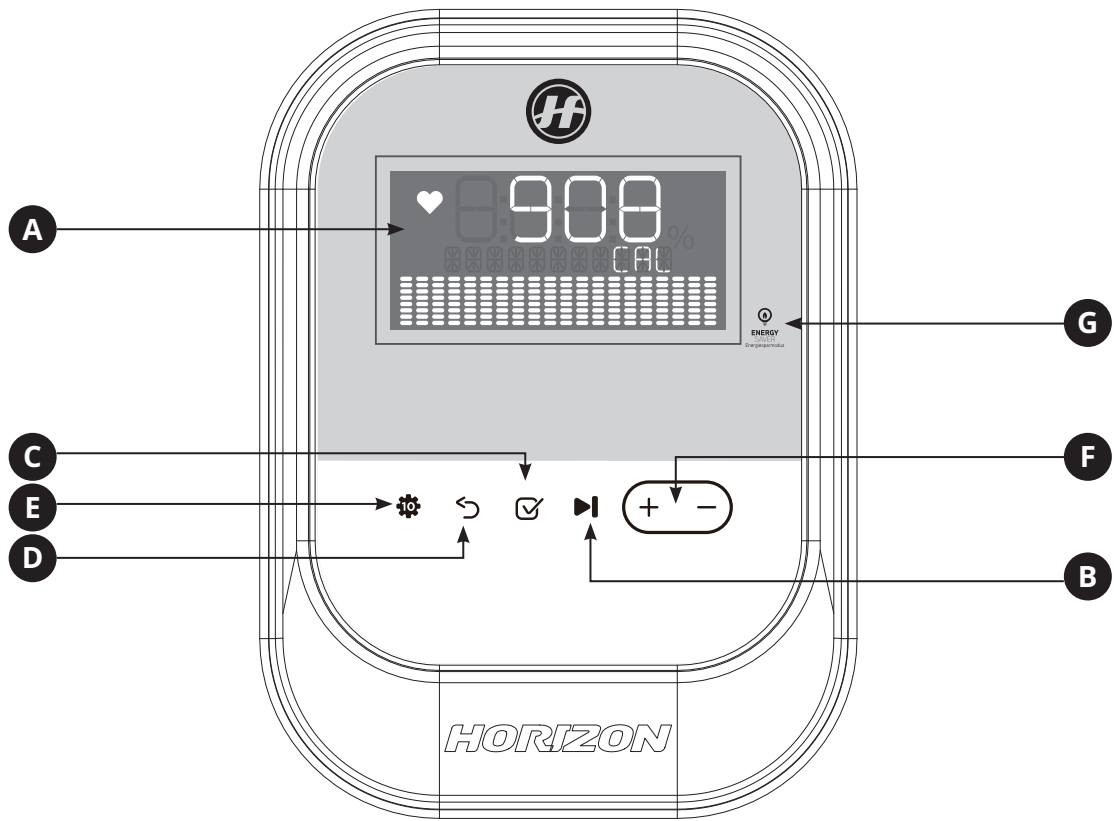
Le cardiofréquencemètre de cet appareil n'est pas un dispositif médical. Les capteurs tactiles ou le capteur de pouls pour le pouce peuvent fournir une estimation de votre rythme cardiaque actuel ; vous ne devez cependant pas vous fier à ces informations lorsque des mesures précises sont nécessaires. Certaines personnes, y compris celles suivant un programme de réadaptation cardiaque, pourront bénéficier de l'utilisation d'un autre système de surveillance de la fréquence cardiaque comme une ceinture thoracique ou un bracelet de poignet. Divers facteurs, y compris le mouvement de l'utilisateur, peuvent affecter l'exactitude de la mesure de la fréquence cardiaque. La mesure de la fréquence cardiaque sert uniquement d'aide à l'exercice pour déterminer les tendances de fréquence cardiaque de façon générale. Veuillez consulter votre médecin.

## POIGNÉES DU CARDIOFRÉQUENCÉMÈTRE

Placez la paume des mains directement sur les poignées du cardiofréquencemètre. Vous devez saisir les poignées des deux mains afin que votre fréquence cardiaque soit enregistrée. Cinq battements cardiaques consécutifs (15 à 20 secondes) sont nécessaires pour enregistrer la fréquence cardiaque. Attention à ne pas serrer les poignées trop fort. Un serrage excessif risque de faire monter la tension artérielle. Maintenez une légère pression. Les résultats risquent d'être irréguliers en cas de maintien prolongé du contact avec les poignées. Veillez à nettoyer les capteurs de fréquence pour assurer le maintien d'un contact correct.

# FONCTIONNEMENT DE LA CONSOLE





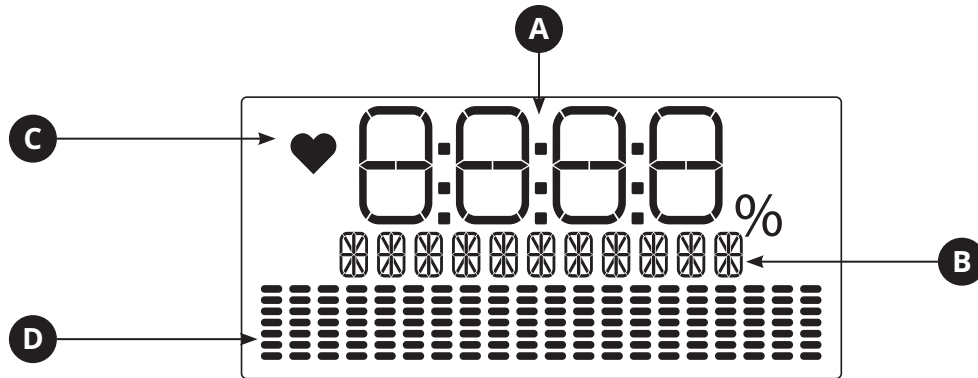




## BT 5.1 FONCTIONNEMENT DE LA CONSOLE

Remarque : retirez la fine pellicule protectrice en plastique qui recouvre la console avant utilisation.

- A) **FENÊTRE D'ÉCRAN LCD** : HEURE, VITESSE, DISTANCE, CALORIES, WATTS, FRÉQUENCE CARDIAQUE, RPM (TPM), NIVEAU DE RÉSISTANCE
- B) **TOUCHE START (DÉMARRER) ET STOP** : PERMET DE COMMENCER L'ENTRAÎNEMENT, DE FAIRE UNE PAUSE DURANT L'EXERCICE OU DE REPRENDRE L'ENTRAÎNEMENT INTERROMPU. MAINTENEZ-LA ENFONCÉE PENDANT 3 SECONDES POUR RÉINITIALISER LA CONSOLE
- C) **ENTRER** : APPUYEZ SUR CETTE TOUCHE POUR CONFIRMER LA SÉLECTION LORS DE LA CONFIGURATION DE LA PROGRAMMATION, POUR CHANGER L'AFFICHAGE PENDANT L'EXERCICE, OU MAINTENEZ-LA ENFONCÉE PENDANT 3 SECONDES AFIN QUE LA CONSOLE MODIFIE AUTOMATIQUÉMENT LA SÉQUENCE D'AFFICHAGE
- D) **RETOUR** : APPUYEZ SUR CETTE TOUCHE POUR REVENIR À LA DERNIÈRE SÉLECTION
- E) **PROGRAMMES** : APPUYEZ SUR CES TOUCHES POUR SÉLECTIONNER L'ENTRAÎNEMENT
- F) **NIVEAUX DE RÉSISTANCE** : APPUYEZ SUR CETTE TOUCHE POUR AJUSTER LE NIVEAU DE RÉSISTANCE OU POUR RÉGLER LA VALEUR SUR L'ÉCRAN DE CONFIGURATION
- G) **ÉCONOMIE D'ÉNERGIE** : INDIQUE SI LA MACHINE EST EN MODE ÉCONOMIE D'ÉNERGIE



## FENÊTRE D'AFFICHAGE

- A) INFORMATIONS SUR L'ENTRAÎNEMENT :** AFFICHE L'HEURE, LA VITESSE, LA DISTANCE, LES CALORIES, LES WATTS, LA FRÉQUENCE CARDIAQUE, LES RPM (TPM), LE NIVEAU DE RÉSISTANCE.
- B) MESURE DE L'ENTRAÎNEMENT :** AFFICHE LES KM, KM/H, CAL, ETC.
- C) FRÉQUENCE CARDIAQUE :** LORSQUE LE CONTACT EST ÉTABLI AVEC LES DEUX POIGNÉES DU CARDIOFRÉQUENCEMÈTRE, L'ICÔNE DE FRÉQUENCE CARDIAQUE CLIGNOTE DANS LA FENÊTRE PULSATIONS.
- D) PROFIL DE PROGRAMME :** REPRÉSENTE LE PROFIL DU PROGRAMME EN COURS D'UTILISATION.

## PROGRAMMES DISPONIBLES

10 programmes : Manual (Manuel), Intervals (Intervalles), Weight Loss (Perte de poids), Weight Loss Plus (Perte de poids plus), Rolling (Alternance), Candance, Random (Aléatoire), Constant Watts (Watts constants), THR Zone (Zone FCC), % THR (% FCC), Custom (Personnalisé)



- 1) **MANUAL (MANUEL)** : permet de régler le niveau de performance souhaité, sans pré réglage du programme. Adaptez votre résistance manuellement durant l'exercice. L'utilisateur règle la durée et le niveau de résistance à l'aide des touches fléchées bas/haut puis en appuyant sur ENTER (ENTRER).
- 2) **INTERVALLES** : permet d'améliorer votre puissance musculaire, votre vitesse et votre endurance en augmentant/diminuant les niveaux de résistance pendant l'entraînement et en sollicitant vos muscles et votre cœur. Exercice basé sur la durée avec 16 niveaux au choix. L'utilisateur règle la durée et le niveau à l'aide des touches fléchées bas/haut puis en appuyant sur ENTER (ENTRER).
- 3) **WEIGHT LOSS (PERTE DE POIDS)**
- 4) **WEIGHT LOSS PLUS (PERTE DE POIDS PLUS)** : favorise la perte de poids et la perte de poids plus en augmentant et en diminuant le niveau de résistance, tout en vous maintenant dans votre zone de combustion des graisses. Programme basé sur la durée avec 15 niveaux différents au choix et possédant des niveaux d'intensité supérieurs au programme de perte de poids standard. L'utilisateur règle la durée et le niveau de résistance à l'aide des touches fléchées bas/haut puis en appuyant sur ENTER (ENTRER). Il est important de boire suffisamment d'eau pendant et après les exercices pour améliorer vos chances de perdre du poids.
- 5) **ROLLING (ALTERNANCE)** : permet de garder un poids santé en alternant les niveaux de résistance (augmentation/diminution) afin de relever/abaisser progressivement votre fréquence cardiaque.
- 6) **CANDANCE** : programme d'entraînement spécial afin de développer votre puissance musculaire. Ce programme augmente progressivement le niveau de résistance et vous invite à pédaler à une vitesse élevée, moyenne ou faible afin de vous aider à atteindre vos objectifs en matière de forme physique.
- 7) **RANDOM (ALÉATOIRE)** : programme basé sur un tableau spécialement conçu simulant des modifications aléatoires des niveaux de résistance.
- 8) **THR ZONE (ZONE FCC)** : permet de simuler le degré d'intensité de votre sport favori ; le programme règle automatiquement le niveau de résistance pour vous maintenir dans la plage de fréquence cardiaque cible.



- 1) Sélectionnez le programme THR Zone (Zone FCC) à l'aide des touches ▲▼ et appuyez sur ENTER (ENTRER).
- 2) Sélectionnez TIME (DURÉE) à l'aide des touches ▲▼ et appuyez sur ENTER (ENTRER).
- 3) La fenêtre HEART RATE (FRÉQUENCE CARDIAQUE) clignote en affichant la fréquence cardiaque cible par défaut de 80 battements par minute. Sélectionnez votre fréquence cardiaque cible (consultez le tableau indiquant l'entraînement à suivre selon la fréquence cardiaque) à l'aide des touches ▲▼ et appuyez sur ENTER (ENTRER).
- 4) Appuyez sur START (DÉMARRER) ►|| pour débuter les exercices.

### ENTRAÎNEMENT BASÉ SUR LA FRÉQUENCE CARDIAQUE

Pour déterminer la bonne intensité de votre entraînement, il est tout d'abord nécessaire de définir votre fréquence cardiaque maximale (fréquence cardiaque max. = 220 - votre âge). La méthode basée sur l'âge représente une unité statistique moyenne permettant d'évaluer votre fréquence cardiaque maximale et convient à la plupart des personnes, notamment celles qui n'ont jamais fait d'entraînement basé sur la fréquence cardiaque. La méthode la plus précise permettant d'évaluer votre fréquence cardiaque maximale est un test d'effort maximal réalisé par un cardiologue ou un médecin du sport. Des examens cliniques sont recommandés si vous avez plus de 40 ans, avez un excès de poids, menez une vie sédentaire depuis plusieurs années ou avez des antécédents de maladie cardiaque. Ce tableau fournit des exemples de plages de fréquences cardiaques calculées pour une personne âgée de 30 ans, suivant un entraînement dans 5 zones différentes de fréquences cardiaques. Par exemple, la fréquence cardiaque maximale d'une personne de 30 ans est de  $220 - 30 = 190$  bpm et 90 % de la fréquence cardiaque maximale représente  $190 \times 0,9 = 171$  bpm.

- 9) **% THR (% FCC)** : perdez du poids grâce à un programme optimal permettant de brûler des calories tout au long de votre séance d'entraînement ; le programme règle automatiquement le niveau de résistance pour vous maintenir dans votre zone de fréquence cardiaque cible. Enregistrez d'abord vos données personnelles (l'appareil calcule automatiquement votre fréquence cardiaque maximale pour les exercices) et sélectionnez ensuite le pourcentage auquel vous souhaitez vous entraîner en fonction de votre fréquence cardiaque maximale

Remarque : le programme de fréquence cardiaque est basé sur votre fréquence cardiaque cible. Le programme fait varier automatiquement le niveau de résistance en fonction de votre vitesse de pédalage tout en vous maintenant dans votre fréquence cardiaque cible. Ne pédalez ni trop vite ni trop lentement. Dès que vous sortez de la zone cible, une flèche apparaît sur l'écran LCD près de la colonne TPM vous indiquant qu'il faut modifier votre vitesse. La flèche vers le haut signifie qu'il faut augmenter votre vitesse et la flèche vers le bas signifie qu'il faut diminuer votre vitesse.

**10) CUSTOM (PERSONNALISÉ) :** programme d'exercices personnalisé ; durée d'entraînement par défaut : 30 minutes.

- 1) Vous devez d'abord configurer le programme. L'affichage du profil vous indique toutes les étapes à suivre dans la colonne des exercices.
- 2) Utilisez les touches fléchées haut/bas afin de modifier le niveau de résistance puis appuyez sur enter pour confirmer. La console affiche votre numéro de segment actuel et vous guidera pas à pas jusqu'au segment 20.
- 3) Une fois cette opération terminée, appuyez sur START ►|| pour commencer.



## TABLEAUX DES PROGRAMMES



INTERVALS (INTERVALLES)																						
		Échauffement				Segments du programme - Répétition												Récupération				
Secondes	Niveau	60	60	60	60	30	60	60	30	30	60	30	60	60	30	30	60	60	60	60	60	
1	1	2	2	3	4	5	6	7	8	9	10	11	12	13	14	15	16	17	18	19	20	
2	1	2	2	3	6	2	2	6	6	2	6	2	2	6	6	2	3	2	2	2	1	
3	1	2	2	4	7	3	3	7	7	3	7	3	3	7	3	7	3	4	2	2	1	
4	1	2	2	5	8	4	4	8	8	4	8	4	4	8	8	4	5	2	2	2	1	
5	2	3	5	6	9	5	5	9	9	5	9	5	5	9	9	5	6	5	3	2	2	
6	2	3	5	7	10	6	6	10	10	6	10	6	6	10	10	6	7	5	3	2	2	
7	2	3	5	8	11	7	7	11	11	7	11	7	7	11	11	7	8	5	3	2	2	
8	2	3	5	9	12	8	8	12	12	8	12	8	8	12	12	8	9	5	3	2	2	
9	3	4	5	10	13	9	9	13	13	9	13	9	9	13	13	9	10	5	4	3	2	
10	3	4	8	11	14	10	10	14	14	10	14	10	10	14	14	10	11	8	4	3	2	
11	3	6	10	12	15	11	11	15	15	11	15	11	11	15	15	11	12	10	6	3	2	
12	3	6	10	13	16	12	12	16	16	12	16	12	12	16	16	12	13	10	6	3	2	
13	5	9	13	14	17	13	13	17	17	13	17	13	13	17	17	13	14	13	9	5	2	
14	5	9	13	15	18	14	14	18	18	14	18	14	14	18	18	14	15	13	9	5	2	
15	5	9	13	16	19	15	15	19	19	15	19	15	15	19	19	15	16	13	9	5	2	
16	5	9	13	17	20	16	16	20	20	16	20	16	16	20	20	16	17	13	9	5	2	

WEIGHT LOSS (PERTE DE POIDS)																						
		Échauffement				Segments du programme - Répétition												Récupération				
Secondes	Niveau	60	60	60	60	60	60	60	60	60	60	60	60	60	60	60	60	60	60	60	60	
1	1	2	2	3	3	3	4	4	5	5	5	5	4	4	3	3	3	2	2	2	1	
2	1	2	2	3	4	4	5	5	6	6	6	6	5	5	4	4	3	2	2	2	1	
3	1	2	2	4	5	5	6	6	7	7	7	7	6	6	5	5	4	2	2	2	1	
4	1	2	2	5	6	6	7	7	8	8	8	8	7	7	6	6	5	2	2	2	1	
5	2	3	5	6	7	7	8	8	9	9	9	9	8	8	7	7	6	5	3	2	2	
6	2	3	5	7	8	8	9	9	10	10	10	10	9	9	8	8	7	5	3	2	2	
7	2	3	5	8	9	9	10	10	11	11	11	11	10	10	9	9	8	5	3	2	2	
8	2	3	5	9	10	10	11	11	12	12	12	12	11	11	10	10	9	5	3	2	2	
9	3	4	5	10	11	11	12	12	13	13	13	13	12	12	11	11	10	5	4	3	2	
10	3	4	8	11	12	12	13	13	14	14	14	14	13	13	12	12	11	8	4	3	2	
11	3	6	10	12	13	13	14	14	15	15	15	15	14	14	13	13	12	10	6	3	2	
12	3	6	10	13	14	14	15	15	16	16	16	16	15	15	14	14	13	10	6	3	2	



WEIGHT LOSS PLUS (PERTE DE POIDS PLUS)																				
	Échauffement				Segments du programme - Répétition												Récupération			
Secondes	60	60	60	60	60	60	60	60	60	60	60	60	60	60	60	60	60	60	60	60
Niveau	1	2	3	4	5	6	7	8	9	10	11	12	13	14	15	16	17	18	19	20
1	1	2	2	3	3	3	4	4	5	5	5	5	4	4	3	3	3	2	2	1
2	1	2	2	3	4	4	5	5	6	6	6	6	5	5	4	4	3	2	2	1
3	1	2	2	4	5	5	6	6	7	7	7	7	6	6	5	5	4	2	2	1
4	1	2	2	5	6	6	7	7	8	8	8	8	7	7	6	6	5	2	2	1
5	2	3	5	6	7	7	8	8	9	9	9	9	8	8	7	7	6	5	3	2
6	2	3	5	7	8	8	9	9	10	10	10	10	9	9	8	8	7	5	3	2
7	2	3	5	8	9	9	10	10	11	11	11	11	10	10	9	9	8	5	3	2
8	2	3	5	9	10	10	11	11	12	12	12	12	11	11	10	10	9	5	3	2
9	3	4	5	10	11	11	12	12	13	13	13	13	12	12	11	11	10	5	4	3
10	3	4	8	11	12	12	13	13	14	14	14	14	13	13	12	12	11	8	4	3
11	3	6	10	12	13	13	14	14	15	15	15	15	14	14	13	13	12	10	6	3
12	3	6	10	13	14	14	15	15	16	16	16	16	15	15	14	14	13	10	6	3
13	5	9	13	14	15	15	16	16	17	17	17	17	16	16	15	15	14	13	9	5
14	5	9	13	15	16	16	17	17	18	18	18	18	17	17	16	16	15	13	9	5
15	5	9	13	16	17	17	18	18	19	19	19	19	18	18	17	17	16	13	9	5
16	5	9	13	17	18	18	19	19	20	20	20	20	19	19	18	18	17	13	9	5

ROLLING (ALTERNANCE)																				
	Échauffement				Segments du programme - Répétition												Récupération			
Secondes	60	60	60	60	30	30	30	30	30	30	30	30	30	30	30	30	30	30	30	30
Niveau	1	2	3	4	5	6	7	8	9	10	11	12	13	14	15	16	17	18	19	20
1	1	1	1	2	1	2	3	4	1	2	3	4	1	2	3	4	2	1	1	1
2	1	1	1	3	2	3	4	5	2	3	4	5	2	3	4	5	3	1	1	1
3	2	2	2	3	3	4	5	6	3	4	5	6	3	4	5	6	3	2	2	2
4	2	2	2	4	4	5	6	7	4	5	6	7	4	5	6	7	4	2	2	2
5	3	3	3	4	5	6	7	8	5	6	7	8	5	6	7	8	4	3	3	3
6	3	3	3	5	6	7	8	9	6	7	8	9	6	7	8	9	5	3	3	3
7	4	4	4	5	7	8	9	10	7	8	9	10	7	8	9	10	5	4	4	4
8	4	4	4	6	8	9	10	11	8	9	10	11	8	9	10	11	6	4	4	4
9	5	5	5	6	9	10	11	12	9	10	11	12	9	10	11	12	6	5	5	5
10	5	5	5	7	10	11	12	13	10	11	12	13	10	11	12	13	7	5	5	5
11	5	5	6	7	11	12	13	14	11	12	13	14	11	12	13	14	7	6	5	5
12	6	6	6	8	12	13	14	15	12	13	14	15	12	13	14	15	8	6	6	6
13	6	6	7	8	13	14	15	16	13	14	15	16	13	14	15	16	8	7	6	6
14	6	7	7	9	14	15	16	16	14	15	16	16	14	15	16	16	9	7	7	6
15	6	7	8	9	15	16	16	16	15	16	16	16	15	16	16	16	9	8	7	6



CANDANCE																					
Secondes	60	60	60	60	30	60	90	60	90	45	60	90	90	30	30	60	60	60	60		
	Échauffement																Récupération				
Niveau	1	2	3	4	F	R	F	R	F	R	F	R	F	R	F	R	F	R	F	R	
1	1	1	1	2	3	2	3	1	2	3	1	2	3	1	2	3	2	1	1	1	
2	1	1	1	2	4	3	4	2	3	4	2	3	4	2	3	4	2	1	1	1	
3	1	1	1	2	5	4	5	3	4	5	3	4	5	3	4	5	2	1	1	1	
4	1	1	1	3	6	5	6	4	5	6	4	5	6	4	5	6	3	1	1	1	
5	1	2	3	3	7	6	7	5	6	7	5	6	7	5	6	7	3	3	2	1	
6	1	2	3	4	8	7	8	6	7	8	6	7	8	6	7	8	4	3	2	1	
7	1	2	3	4	9	8	9	7	8	9	7	8	9	7	8	9	4	3	2	1	
8	1	2	3	5	10	9	10	8	9	10	8	9	10	8	9	10	5	3	2	1	
9	1	1	1	2	11	10	11	9	10	11	9	10	11	9	10	11	2	1	1	1	
10	1	1	1	2	12	11	12	10	11	12	10	11	12	10	11	12	2	1	1	1	
11	2	2	2	3	13	12	13	11	12	13	11	12	13	11	12	13	2	1	1	1	
12	3	3	3	4	14	13	14	12	13	14	12	13	14	12	13	14	3	1	1	1	
13	3	4	4	5	15	14	15	13	14	15	13	14	15	13	14	15	3	3	2	1	
14	3	4	5	6	16	15	16	14	15	16	14	15	16	14	15	16	4	3	2	1	

RANDOM (ALÉATOIRE)																					
Secondes	Échauffement				Segments du programme										Récupération						
Niveau	1	2	3	4	60	60	60	60	60	60	60	60	60	60	60	60	60	60	60	60	
1	1	1	2	2	1	3	5	2	4	7	2	3	6	1	1	1	1	1	1	1	
2	1	2	2	3	2	4	6	3	5	8	3	4	7	2	2	1	1	1	1	1	
3	2	2	3	3	3	5	7	4	6	9	4	5	8	3	2	1	1	1	1	1	
4	2	3	3	4	4	6	8	5	7	10	5	6	9	4	3	1	1	1	1	1	
5	3	4	4	4	5	7	9	6	8	11	6	7	10	5	3	3	2	1	1	1	
6	3	5	4	5	6	8	10	7	9	12	7	8	11	6	4	3	2	1	1	1	
7	4	5	5	5	7	9	11	8	10	13	8	9	12	7	4	3	2	1	1	1	
8	4	5	5	5	8	10	12	9	11	14	9	10	13	8	4	3	2	1	1	1	
9	4	5	5	5	9	11	13	10	12	15	10	11	14	9	5	4	3	1	1	1	
10	4	5	6	6	10	12	14	11	13	16	11	12	15	10	5	4	3	1	1	1	
11	4	5	7	7	11	13	15	12	14	17	12	14	16	11	6	5	4	1	1	1	
12	4	5	8	8	12	14	16	13	15	18	13	14	17	12	6	5	4	1	1	1	
13	4	5	9	9	13	15	17	14	16	19	14	15	18	13	7	6	5	1	1	1	
14	4	5	9	9	14	16	18	15	17	20	15	16	19	14	7	6	5	1	1	1	

Zone de fréquence cardiaque cible	Durée de l'exercice	Exemple de zone de FCC (âge : 30)	Votre zone de FCC	Recommandé pour
TRÈS INTENSE 90-100 %	< 5 MIN	171-190 BPM		Personnes en bonne condition physique et entraînements athlétiques
INTENSE 80-90 %	2-10 MIN	152-171 BPM		Exercices courts
MOYEN 70-80 %	10-40 MIN	133-152 BPM		Exercices de durée moyenne
LÉGER 60-70 %	40-80 MIN	114-133 BPM		Exercices longs et séances de nombreux exercices courts
TRÈS LÉGER 50-60 %	20-40 MIN	104-114 BPM		Contrôle du poids et récupération active



# MONTAGE



## AVERTISSEMENT

Au cours du montage, plusieurs zones nécessiteront une attention toute particulière. Il est très important de suivre correctement les instructions de montage et de vous assurer que toutes les pièces sont fermement fixées. En cas de non-respect des instructions, certaines parties du châssis du vélo elliptique pourraient être mal serrées, bouger et causer des bruits gênants. Pour éviter d'endommager l'appareil elliptique, relisez les instructions de montage et prenez les mesures correctives qui s'imposent.

Avant de commencer, cherchez le numéro de série qui se trouve sur le tube de stabilisation avant de votre vélo elliptique et notez-le dans les cases ci-dessous. Recherchez également le nom du modèle se trouvant à côté du numéro de série.

INSCRIVEZ LE NUMÉRO DE SÉRIE ET LE NOM DU MODÈLE DANS LES CASES CI-DESSOUS :

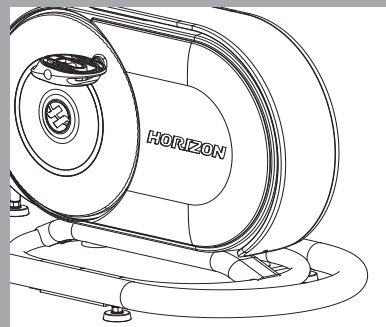
NUMÉRO DE SÉRIE :

--	--	--	--	--	--	--	--	--	--	--	--	--	--	--	--	--	--	--	--

NOM DU MODÈLE :

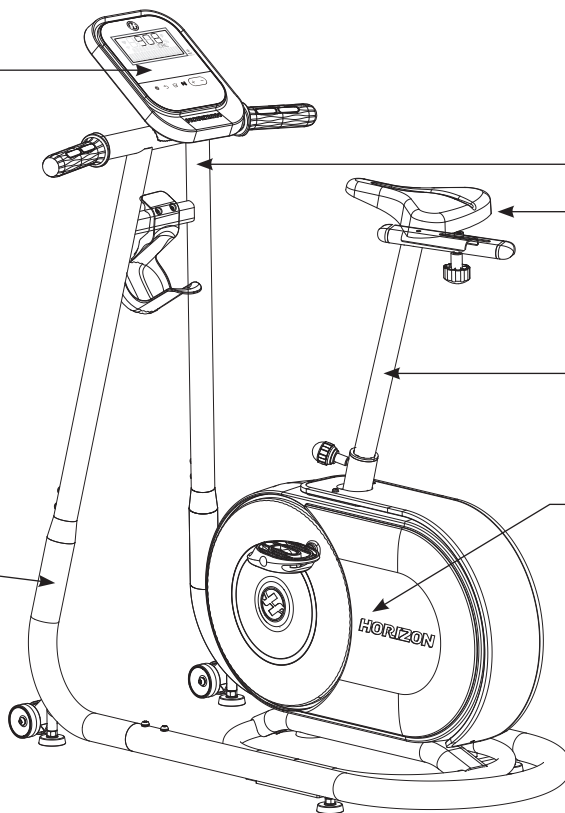
--	--	--	--	--	--	--	--	--	--	--	--	--	--	--	--	--	--	--	--

## EMPLACEMENT DU NUMÉRO DE SÉRIE





CONSOLE



MONTANT DE LA CONSOLE

SELLE

TIGE DE SELLE

CADRE PRINCIPAL

STABILISATEUR

## OUTILS FOURNIS :

- Clé Allen/L4
- Clé Allen + tournevis/L6

## PIÈCES INCLUSES :

- Cadre principal
- Stabilisateur-G
- Stabilisateur-D
- Tige de selle
- Selle
- Montant de la console
- Console

# PRÉ ASSEMBLAGE



## DÉBALLAGE

Déballer l'appareil à l'endroit où vous allez l'installer. Installez le carton d'emballage du vélo elliptique sur une surface plane. Il est conseillé de placer une protection sur le sol. N'ouvrez jamais le carton d'emballage lorsqu'il est couché sur le côté.

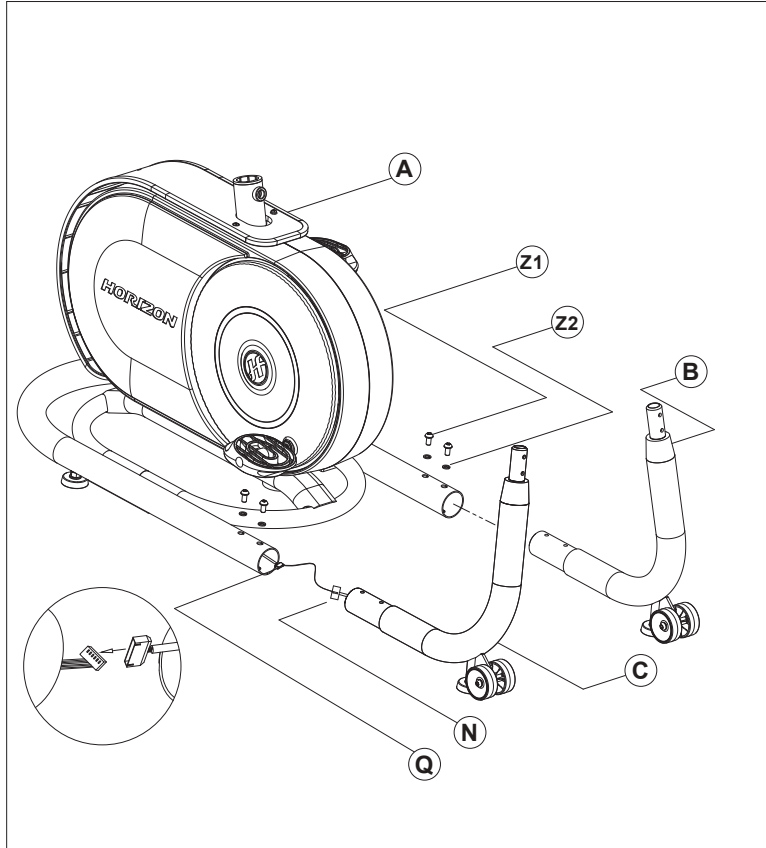
## REMARQUES IMPORTANTES

- Nous vous recommandons d'être au moins deux pour le montage du vélo elliptique. La tâche sera plus simple et plus efficace.
- À chaque étape du montage, assurez-vous que TOUS les écrous et TOUS les boulons sont bien mis en place et partiellement serrés. Il est conseillé d'assembler entièrement votre appareil avant de serrer les boulons à fond.
- Certaines pièces ont été prélubrifiées afin de faciliter le montage et le fonctionnement. N'essayez pas ces pièces pour essayer d'ôter le lubrifiant. Si vous rencontrez des difficultés, une légère application de graisse au lithium pour vélos est recommandée.

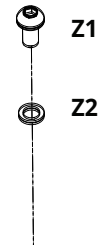
## BESOIN D'AIDE ?

Pour toute question ou si une pièce est manquante, contactez l'assistance technique. Les coordonnées de l'assistance technique se trouvent au dos de ce guide.

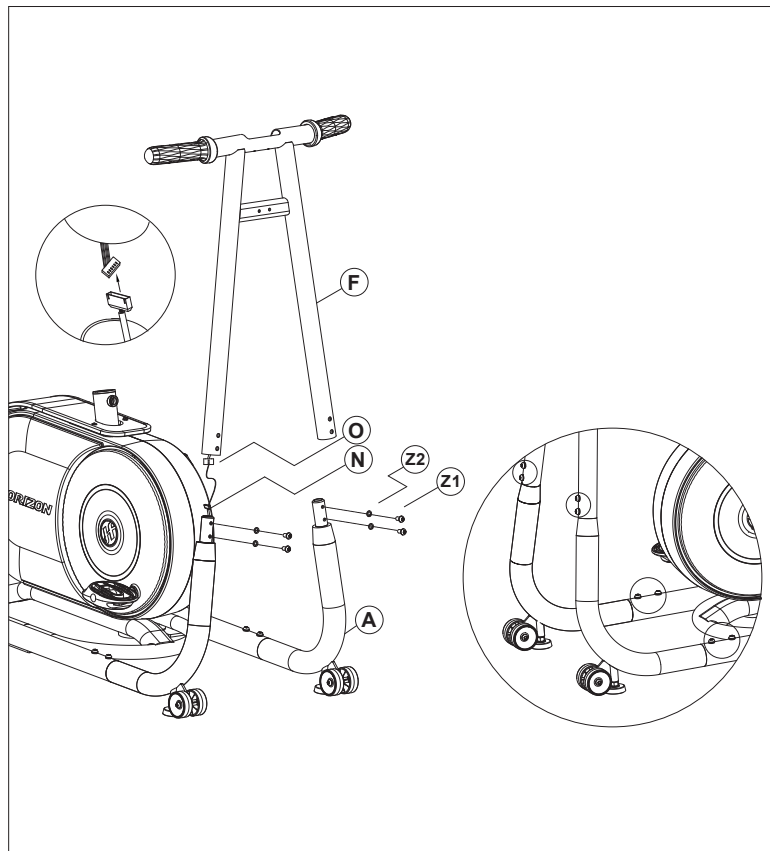
# ASSEMBLAGE ÉTAPE 1



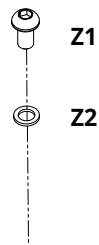
- A Branchez le **CÂBLE INFÉRIEUR DE LA CONSOLE (Q)** au **CÂBLE CENTRAL DE LA CONSOLE (N)**
- B Fixer le **STABILISATEUR-D (C)** au **CADRE PRINCIPAL (A)** et vissez-le grâce aux deux **ENSEMBLES DE VISSERIE (Z1+Z2)**. Ne serrez pas les vis à cette étape.
- C Fixer le **STABILISATEUR-G (C)** au **CADRE PRINCIPAL (A)** et vissez-le grâce aux deux **ENSEMBLES DE VISSERIE (Z1+Z2)**. Ne serrez pas les vis à cette étape.



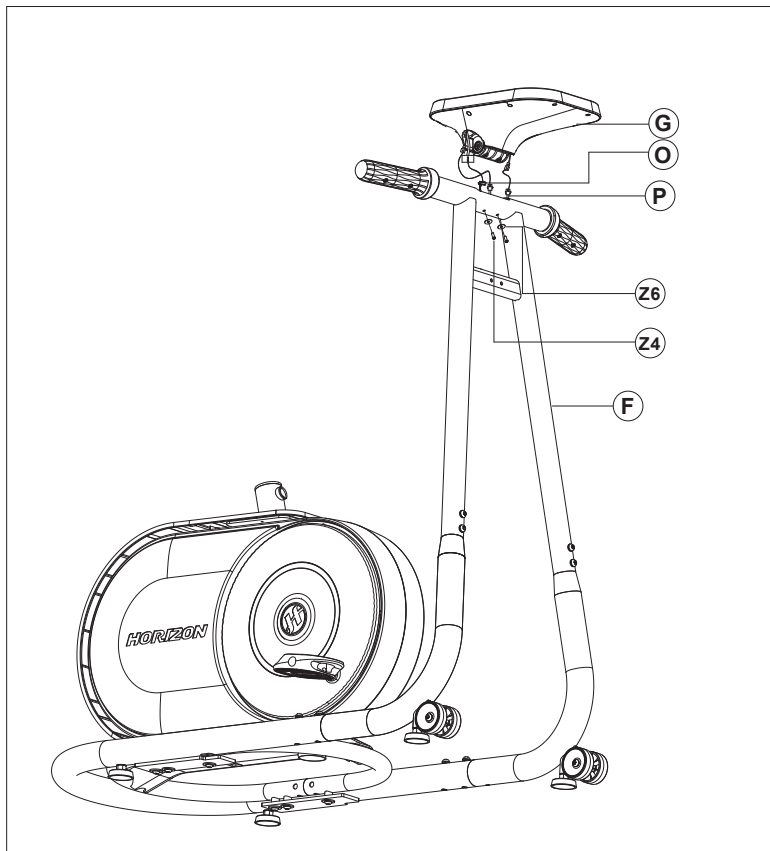
## ASSEMBLAGE ÉTAPE 2



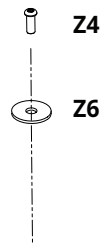
- A Fixez le **CÂBLE CENTRAL DE LA CONSOLE (N)** au **CÂBLE SUPÉRIEUR DE LA CONSOLE (O)**
- B Faites glisser le **MONTANT DE LA CONSOLE (F)** dans le **STABILISATEUR-D (C)** et le **STABILISATEUR-G (B)**
- C Fixez les deux **ENSEMBLES DE VISSERIE (Z1+Z2)** au **STABILISATEUR-D (C)** et répétez l'opération pour le côté gauche. Ne serrez pas les vis à cette étape



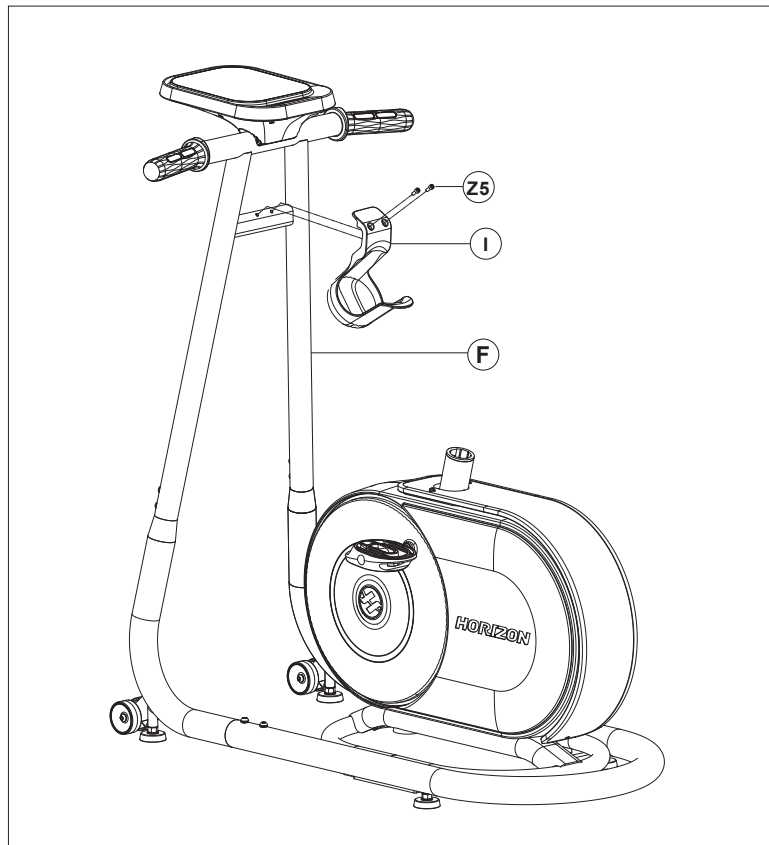
## ASSEMBLAGE ÉTAPE 3



- A Branchez le **CÂBLE SUPÉRIEUR DE LA CONSOLE (O)** et le **CÂBLE SUPÉRIEUR DE FRÉQUENCE CARDIAQUE (P)** à la **CONSOLE (G)**
- B Fixez la **CONSOLE (G)** au **MONTANT DE LA CONSOLE (F)** et serrez-le à l'aide des deux **ENSEMBLES DE VISSERIE (Z4+Z6)**



## ASSEMBLAGE ÉTAPE 4

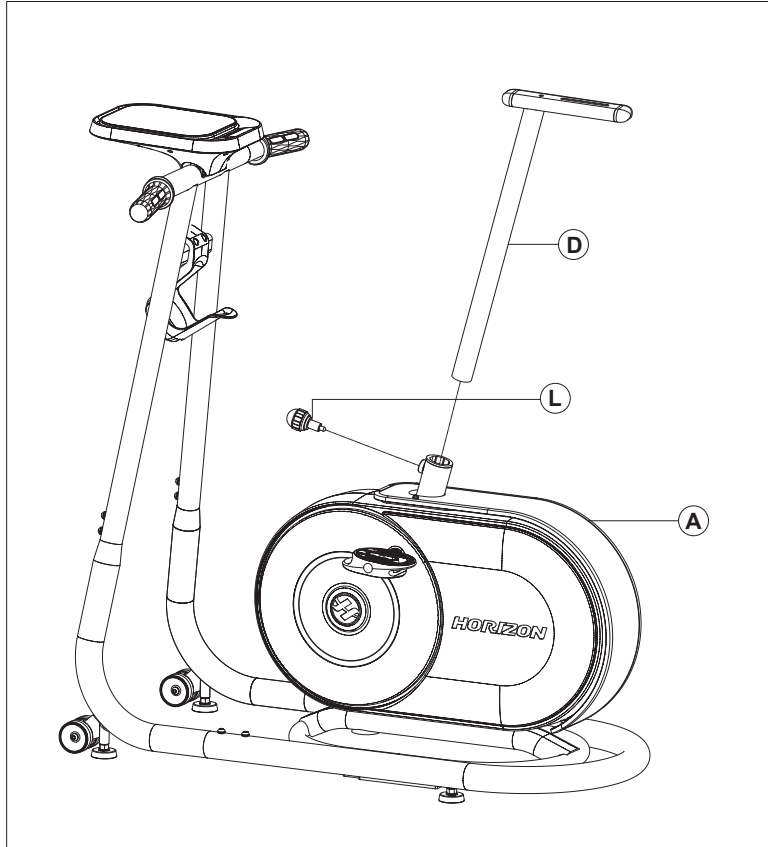


- A Fixez le **PORTE-BOUTEILLE (I)** au **MONTANT DE LA CONSOLE (F)** et serrez-le à l'aide des deux **VIS (Z5)**



Z5

## ASSEMBLAGE ÉTAPE 5

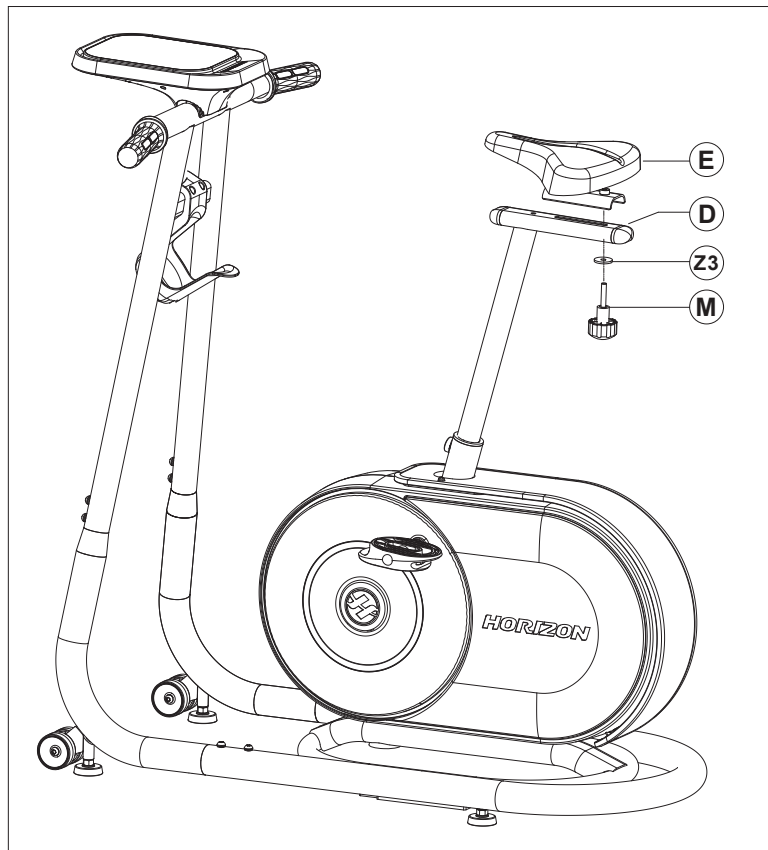


- A Faites glisser la **TIGE DE SELLE (D)** dans le **CADRE PRINCIPAL (A)** et serrez-la à l'aide de la **MOLETTE DE RÉGLAGE DE LA HAUTEUR (L)**.





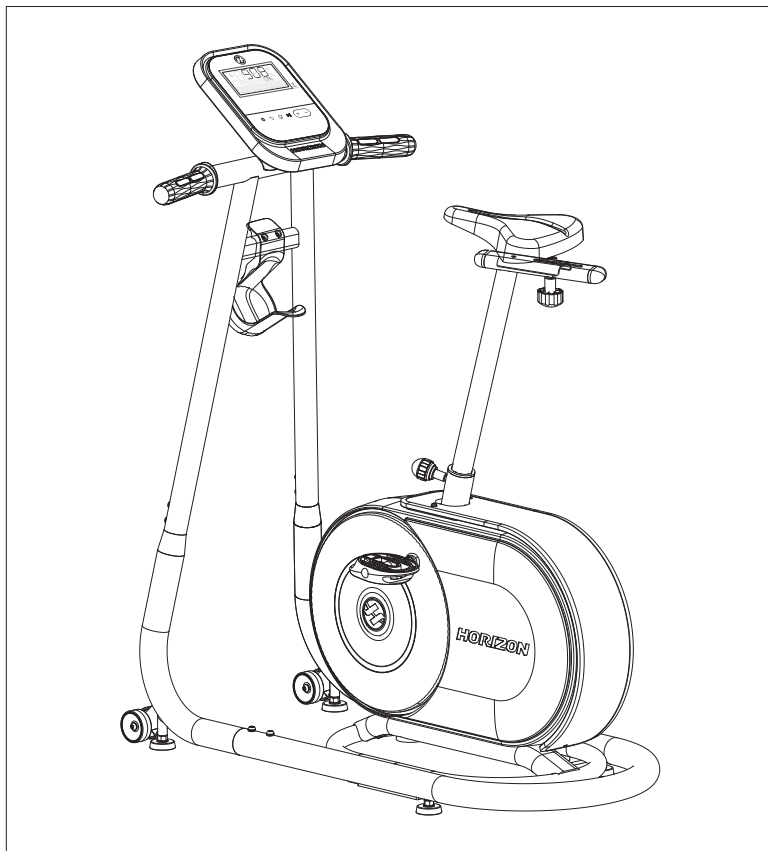
## ASSEMBLAGE ÉTAPE 6



- A Fixez la **SELLE (E)** à la **TIGE DE SELLE (D)** puis serrez-la à l'aide de la **MOLETTE DE RÉGLAGE DE LA SELLE (M)** et la **RONDELLE PLATE (Z3)**



## ASSEMBLAGE ÉTAPE 7

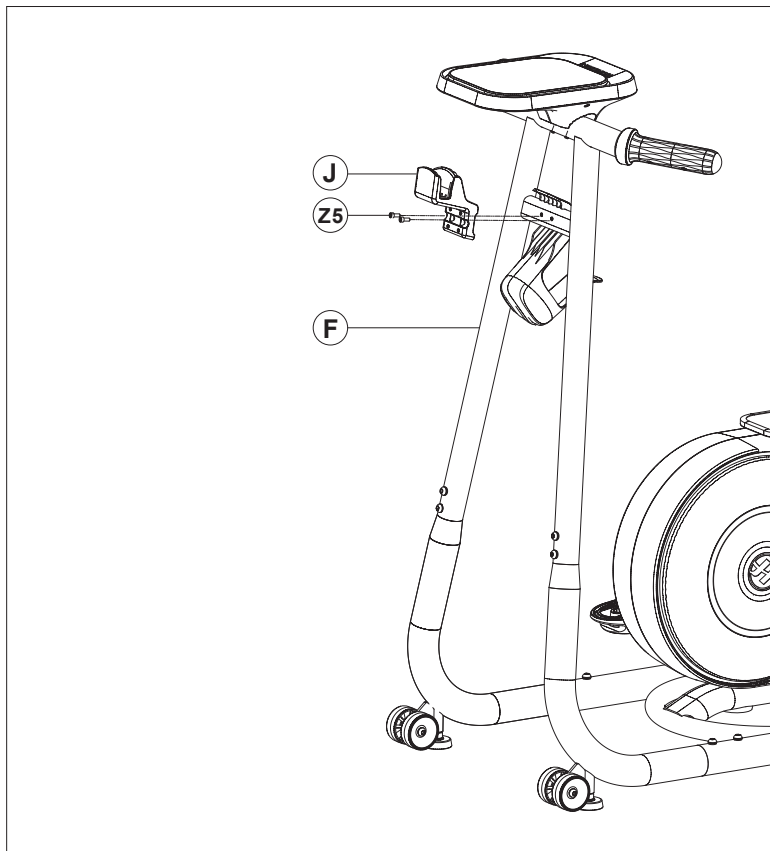


**LE MONTAGE EST TERMINÉ !**

# ENSEMBLE D'ACCESSOIRES EN OPTION



## ACCESSOIRES EN OPTION



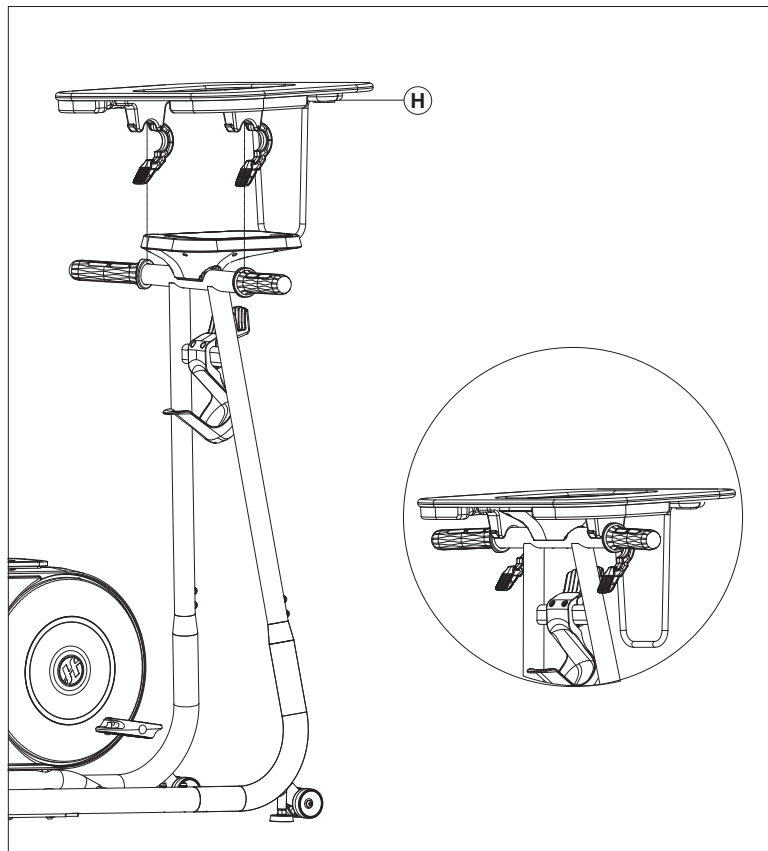
### PLATEAU ÉTAPE 1

- A Fixez le **SUPPORT DE PLATEAU (J)** au **MONTANT DE LA CONSOLE (F)** et serrez-le à l'aide des deux **VIS (Z5)**



Z5

## ACCESSOIRES EN OPTION

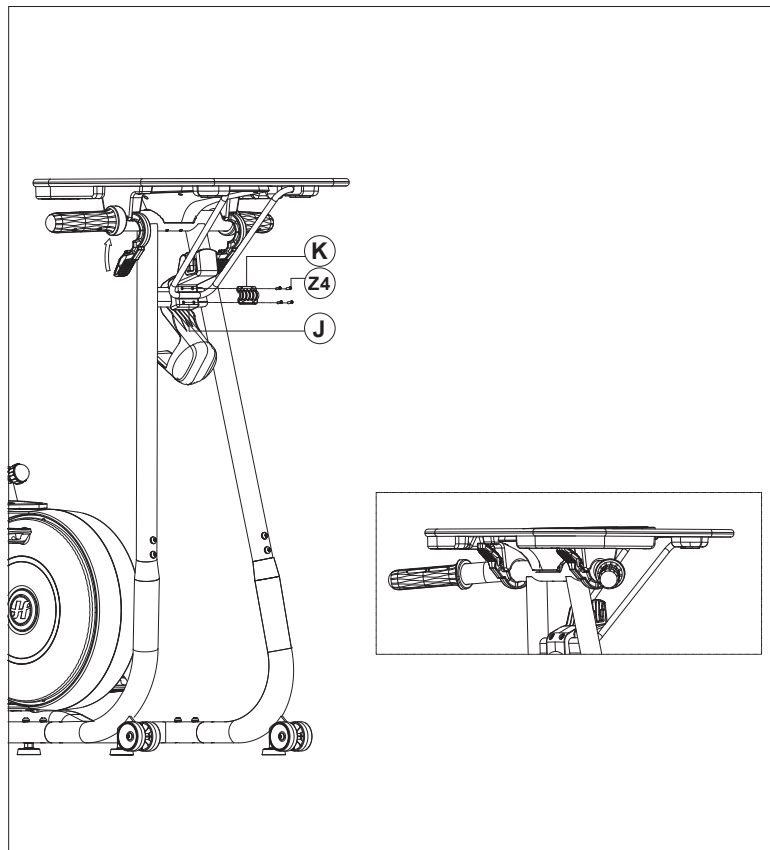


### PLATEAU ÉTAPE 2

- A Dépliez la **CONSOLE** à l'horizontale et placez le **PLATEAU** sur le guidon



## ACCESSOIRES EN OPTION

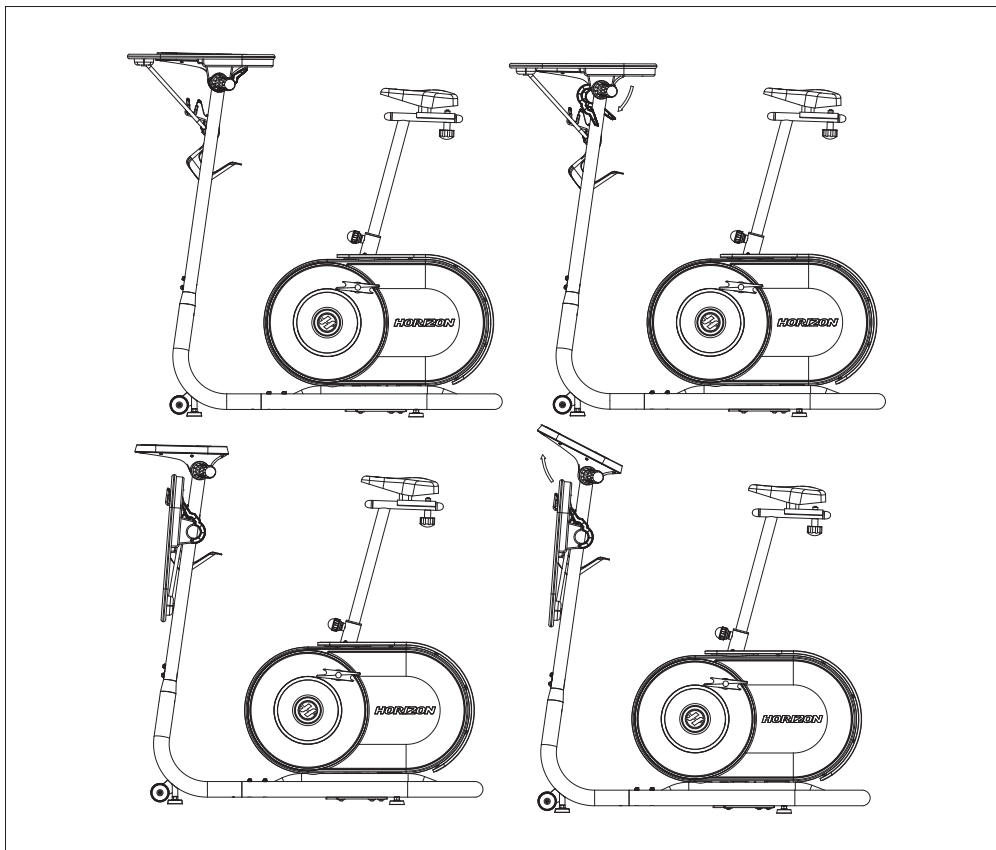


### PLATEAU ÉTAPE 3

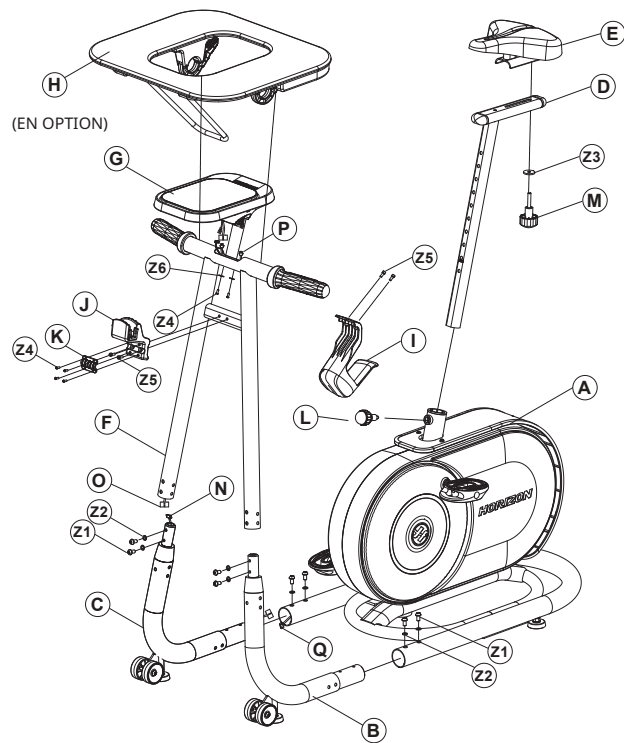
- A Fixez la poignée du **PLATEAU** au **SUPPORT DE PLATEAU (J)** et fixez le **CACHE DU SUPPORT DE PLATEAU (K)** à l'aide des quatre **VIS (Z4)**
- B Attachez le verrou de sécurité.

 **Z4**

# ACCESSOIRES EN OPTION



## BT5.1 VUE ÉCLATÉE DU MODÈLE



## BT5.1 LISTE DES PIÈCES DU MODÈLE

N°	DESCRIPTION	QTÉ
A	CADRE PRINCIPAL	1
B	STABILISATEUR-G	1
C	STABILISATEUR-D	1
D	TIGE DE SELLE	1
E	SELLE	1
F	MONTANT DE LA CONSOLE	1
G	CONSOLE	1
H	PLATEAU (EN OPTION)	1
I	PORTE-BOUTEILLE	1
J	SUPPORT DE PLATEAU (EN OPTION)	1
K	CACHE DU SUPPORT DE PLATEAU (EN OPTION)	1
L	MOLETTE DE RÉGLAGE DE LA HAUTEUR	1
M	MOLETTE DE RÉGLAGE DE LA SELLE	1
N	CÂBLE CENTRAL DE LA CONSOLE (L = 800 mm)	1
O	CÂBLE SUPÉRIEUR DE LA CONSOLE (L = 800 mm)	1
P	CÂBLE DE FRÉQUENCE CARDIAQUE (L = 260 mm)	2
Q	CÂBLE INFÉRIEUR DE LA CONSOLE (L = 1200 mm)	1
Z1	VIS (M8)*15	8
Z2	RONDELLE PLATE Ø8,5*Ø16*T1.5	8
Z3	RONDELLE PLATE Ø8,5*Ø30* T3.0	1
Z4	VIS (M4)*10	6
Z5	VIS (M5)*12	4
Z6	RONDELLE PLATE Ø4*Ø14* T1.0	2





# DÉPANNAGE ET MAINTENANCE



REMARQUE : les instructions peuvent varier en fonction du modèle acheté. Pour de plus amples informations, veuillez contacter votre revendeur local.

## QUESTIONS FRÉQUENTES RELATIVES AU PRODUIT



### LES SONS QUE FAIT MON VÉLO D'EXERCICE SONT-ILS NORMAUX ?

Nos vélos d'exercice figurent parmi les plus silencieux du marché car ils fonctionnent avec un entraînement par courroie et une résistance magnétique sans frottement. Nous utilisons des roulements et des courroies de la plus haute qualité pour limiter le bruit. Cependant, puisque le système de résistance est si silencieux, vous pourrez entendre d'autres petits bruits mécaniques de temps en temps. Contrairement aux technologies plus anciennes et plus bruyantes, aucun bruit de ventilateurs, de frottement de courroies ou d'alternateurs ne vient masquer ces sons sur nos vélos d'exercice. Ces bruits mécaniques, qui peuvent être intermittents ou non, sont normaux et sont provoqués par le transfert de grandes quantités d'énergie vers une roue d'inertie qui tourne rapidement. Tous les roulements, courroies et autres pièces en mouvement émettent des bruits qui seront retransmis via le boîtier et le châssis. Il est également normal que ces sons changent légèrement au cours d'un entraînement et au fil du temps en raison de la dilatation thermique des pièces.

### POURQUOI LE VÉLO D'EXERCICE QUE J'AI ACHÉTÉ EST-IL PLUS BRUYANT QUE CELUI PRÉSENTÉ EN MAGASIN ?

Tous les produits de remise en forme exposés dans un grand magasin semblent toujours être plus silencieux car le bruit de fond y est plus élevé que chez vous. La réverbération acoustique est également moindre sur un sol en béton recouvert de moquette que sur un parquet. L'installation d'un tapis épais en caoutchouc sous l'appareil peut aider à réduire la réverbération sur le sol. Si un appareil de remise en forme est placé près d'un mur, cela risque d'amplifier les bruits par un effet tambour.

### QUELLE EST LA DURÉE DE VIE DE LA COURROIE D'ENTRAÎNEMENT ?

La modélisation informatique que nous avons réalisée a indiqué des milliers d'heures d'utilisation virtuelle sans maintenance. Vous ne devriez jamais avoir à changer la courroie de votre vélo d'exercice.

### EST-IL POSSIBLE DE DÉPLACER FACILEMENT LE VÉLO D'EXERCICE UNE FOIS QU'IL EST MONTÉ ?

Votre vélo d'entraînement est équipé d'une paire de roulettes de transport intégrées dans la barre stabilisatrice avant. Veuillez consulter la section DÉPLACEMENT DU VÉLO D'EXERCICE avant de déplacer votre appareil. Il est important de placer votre vélo d'exercice dans une salle confortable et accueillante. Votre vélo d'exercice est conçu pour prendre le moins de place possible au sol. Beaucoup de gens positionnent leur vélo d'exercice devant la télévision ou face à une baie vitrée. Dans la mesure du possible, évitez de placer votre vélo d'exercice dans un sous-sol non aménagé. Pour que l'entraînement devienne une activité quotidienne agréable, votre vélo d'exercice doit être placé dans un environnement confortable.

## PROCÉDURES DE DÉPANNAGE DE BASE

**PROBLÈME** : la console ne s'allume pas.

**SOLUTION** : effectuez les vérifications suivantes :

- Vérifiez que la prise de courant sur laquelle est branché l'appareil fonctionne correctement. Vérifiez que le disjoncteur ne s'est pas déclenché.
- Vérifiez que le câble d'alimentation adéquat est utilisé. Utilisez uniquement le cordon d'alimentation inclus ou fourni par votre revendeur local.
- Vérifiez que le câble d'alimentation n'est pas pincé ou endommagé et qu'il est branché correctement à la prise de courant ET à l'appareil.
- Débranchez le câble d'alimentation, retirez la console et vérifiez que toutes les connexions vers la console sont raccordées correctement et qu'aucun fil n'est pincé ou endommagé.

**PROBLÈME** : la console s'allume mais les dispositifs de mesure de la distance, de la puissance (watts) et de la vitesse (TR/MIN) ne fonctionnent pas.

**SOLUTION** : effectuez les vérifications suivantes :

- Débranchez le câble d'alimentation, retirez la console et vérifiez que toutes les connexions vers la console sont raccordées correctement et qu'aucun fil n'est pincé ou endommagé.
- Si le problème persiste, il est possible que le capteur de vitesse et/ou l'aimant soient sortis de leurs logements ou soient endommagés.

**PROBLÈME** : les niveaux de résistance semblent incorrects (trop faciles ou trop difficiles).

**SOLUTION** : effectuez les vérifications suivantes :

- Vérifiez que le câble d'alimentation adéquat est utilisé. Utilisez uniquement le cordon d'alimentation fourni ou autorisé par votre revendeur local.
- Réinitialisez la console pour restaurer les paramètres de résistance par défaut. Redémarrez et testez à nouveau les niveaux de résistance.

**PROBLÈME** : le vélo d'exercice émet des grincements ou des grésillements.

**SOLUTION** : effectuez les vérifications suivantes :

- Assurez-vous que votre vélo d'exercice est installé sur une surface plane.
- Desserrez tous les boulons fixés au cours du montage, graissez les filetages et serrez à nouveau les boulons.





**PROBLÈME** : lorsque le lecteur MP3 est connecté, aucun son ne sort des haut-parleurs ou le son est très mauvais.

**SOLUTION** : assurez-vous que le câble audio est branché correctement à la fois sur le connecteur de la console et sur le connecteur du lecteur MP3.

## DÉPANNAGE DU MONITEUR DE FRÉQUENCE CARDIAQUE

Contrôlez l'endroit où vous vous entraînez et recherchez des sources possibles d'interférence, telles que des lumières fluorescentes, des ordinateurs, des clôtures électriques, des systèmes d'alarme ou des installations équipées de gros moteurs. Ces appareils peuvent causer des lectures erronées de la fréquence cardiaque.

Des mesures incohérentes de la fréquence cardiaque peuvent également se produire dans les cas suivants :

- Une pression excessive sur les poignées équipées de capteurs tactiles. Essayez d'exercer une pression modérée sur ces poignées.
- Des vibrations et un mouvement constants lorsque vous tenez les poignées pendant les exercices. Si l'écran affiche des mesures incohérentes, saisissez les poignées le temps nécessaire afin que votre rythme cardiaque soit enregistré.
- Lorsque vous êtes essoufflé durant un entraînement.
- Lorsque vos doigts sont comprimés par des bagues.
- Lorsque vos mains sont sèches ou froides. Frottez-vous les mains afin de les hydrater et de les réchauffer.
- Lorsque vous souffrez d'arythmie grave.
- Lorsque vous êtes atteint d'artériosclérose ou de troubles de la circulation périphérique.
- Lorsque la peau des paumes de vos mains est particulièrement épaisse.

Si le problème subsiste, arrêtez d'utiliser le vélo et mettez-le hors tension.  
**VEUILLEZ CONTACTER VOTRE REVENDEUR LOCAL.**



Lors de votre appel, vous devrez probablement fournir les renseignements ci-après. Veuillez préparer les informations suivantes :

- nom du modèle
- numéro de série
- preuve d'achat (facture ou relevé de carte bancaire)

Afin de pouvoir réparer votre vélo d'entraînement, votre revendeur local vous demandera probablement des informations détaillées relatives au problème que vous rencontrez. Les questions pouvant être posées sont les suivantes :

- Depuis combien de temps rencontrez-vous ce problème ?
- Le problème se répète-t-il à chaque utilisation ? Avec tous les utilisateurs ?
- Si vous entendez un bruit gênant, provient-il de l'avant ou de l'arrière de l'appareil ? De quel type de bruit s'agit-il (bruit sourd, grincement, son aigu, sifflement, etc.) ?
- L'appareil a-t-il été lubrifié et entretenu conformément au programme D'ENTRETIEN ?

Les réponses à ces questions et à d'autres questions permettront aux techniciens d'envoyer les pièces de rechange adéquates, d'effectuer l'intervention nécessaire au bon fonctionnement de votre vélo d'entraînement et de vous faire reprendre votre entraînement !

## MAINTENANCE

### QUEL TYPE D'ENTRETIEN DE ROUTINE DOIT ÊTRE EFFECTUÉ ?

Nous utilisons des roulements étanches dans tous nos vélos ; la lubrification n'est donc pas nécessaire. La partie la plus importante de l'entretien consiste simplement à essuyer votre transpiration sur le vélo après chaque utilisation.

### COMMENT NETTOYER UN VÉLO ?

Nettoyez l'appareil avec du savon et de l'eau uniquement. N'utilisez jamais de solvants sur les parties en plastique. La propreté de votre vélo et de son environnement permettra de limiter au maximum les problèmes et les interventions de maintenance. Pour cette raison, nous vous recommandons de respecter le programme d'entretien préventif suivant :

#### APRÈS CHAQUE UTILISATION (QUOTIDIEN)

- Mettez le vélo d'entraînement hors tension en débranchant le câble d'alimentation de la prise murale.
- Nettoyez le vélo avec un chiffon humide. N'utilisez jamais de solvants car ceux-ci pourraient détériorer le vélo.
- Contrôlez le câble d'alimentation. Si ce dernier est endommagé, contactez votre revendeur local.
- Assurez-vous que le câble d'alimentation ne se trouve pas sous le vélo ou à un endroit où il risque d'être pincé ou coupé.



Pour mettre le vélo d'entraînement hors tension, vous devez déconnecter le cordon d'alimentation de la prise électrique.

#### TOUTES LES SEMAINES

Nettoyez la surface située sous le vélo en suivant les procédures suivantes :

- Mettez le vélo hors tension.
- Déplacez le vélo à un autre endroit.
- Nettoyez ou aspirez les particules de poussière et autres corps étrangers qui ont pu s'accumuler sous le vélo.
- Remplacez le vélo à son emplacement initial.

#### TOUS LES MOIS

- Contrôlez tous les boulons d'assemblage et les pédales de l'appareil et vérifiez qu'ils sont bien serrés.
- Ôtez tous les débris du rail de guidage du siège.



### Eng: Waste Disposal

VISION Fitness / HORIZON Fitness / TEMPO Fitness / TREO Fitness products are recyclable.  
At the end of its useful life please dispose of this article correctly and safely (local refuse sites).

### Ger: Entsorgungshinweis

Die Produkte VISION Fitness/HORIZON Fitness/TEMPO Fitness/TREO Fitness sind recycelbar.  
Führen Sie das Gerät am Ende der Nutzungsdauer einer sachgerechten Entsorgung zu (örtliche Sammelstelle).

### Dut: Verwijderingsaanwijzing

VISION Fitness / HORIZON Fitness / TEMPO Fitness / TREO Fitness producten zijn recyclebaar. Breng het apparaat aan het einde van de gebruiksduur naar een in recycling gespecialiseerd bedrijf (plaatselijk verzamelpunt).

### Fre: Remarque relative à la gestion des déchets

Les produits VISION Fitness / HORIZON Fitness / TEMPO Fitness / TREO Fitness sont recyclables. Lorsque cet appareil arrive en fin de vie, veuillez l'éliminer de manière correcte et en toute sécurité en le déposant dans une déchetterie communale.

### Ita: Indicazione sullo smaltimento

I prodotti VISION Fitness / HORIZON Fitness / TEMPO Fitness / TREO Fitness sono riciclabili. Quando l'apparecchio non servirà più, portarlo in un apposito punto di raccolta della propria città (punti di raccolta comunali).

### Spe: Gestión de residuos

Los productos de VISION Fitness / HORIZON Fitness / TEMPO Fitness / TREO Fitness son reciclables.  
Cuando se termine su vida útil, por favor deshágase de este artículo de forma correcta y segura en un punto limpio.

### Prb: Descarte

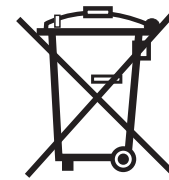
Os produtos VISION Fitness / HORIZON Fitness / TEMPO Fitness / TREO Fitness são recicláveis.  
No final de sua vida útil, descarte este equipamento corretamente e com segurança (sites de locais de lixo).

### ChT: 廢棄物處理

VISION Fitness / HORIZON Fitness / TEMPO Fitness / TREO Fitness 產品為可回收產品。  
產品的使用年限期滿後，請依照正確且安全的方式處理本廢棄商品（當地的廢棄場）。

### ChS: 废弃物处理

VISION Fitness / HORIZON Fitness / TEMPO Fitness / TREO Fitness 产品是可回收利用的。  
在其使用期结束后，请正确安全地（在本地垃圾处理场）处理本品。



**JOHNSON HEALTH TECH ITALIA SPA**  
ZONA INDUSTRIALE CAMPOLUNGO,  
11,63100, ASCOLI PICENO, ITALY

**JOHNSON HEALTH TECH. GMBH**  
EUROPAALLEE 51, 50226,  
FRECHEN, GERMANY

**JOHNSON HEALTH TECH. GMBH**  
NIKOLAUS-OTTO-STRASSE 1,22946,  
TRITTAU, GERMANY

**JOHNSON HEALTH TECH.  
(SCHWEIZ) GMBH**  
ALTHARDSTRASSE 185, CH-8105,  
REGENSDORF, SWITZERLAND

**JOHNSON HEALTH TECH.  
IBERICA, S.L.**  
AVENIDA DEL SOL, 8-10, TORREJON DE  
ARDOZ, 28850, MADRID, SPAIN

**JOHNSON HEALTH TECH.  
POLAND SP. Z.O**  
UL. DZIALKOWA 62, 02-234, WARSZAWA,  
POLAND

**JOHNSON HEALTH TECH  
NETHERLANDS**  
VLEUGELBOOT 14 NL-3991 CL, HOUTEN,  
NETHERLANDS

**JOHNSON HEALTH TECH FRANCE**  
45, AVENUE GEORGES POLITZER, 78190,  
TRAPPES, FRANCE

**JOHNSON HEALTH TECH HELLAS S.A.**  
12 VASILEOS KONSTANTINOU  
AVE.,11635, ATHENS, GREECE

**JOHNSON HEALTH TECH UK LTD**  
JOHNSON HOUSE, BELLRINGERR ROAD,  
TRENTHAM LAKES, STOKE ON TRENT,  
ST4 8GZ, STAFFORDSHIRE, UNITED  
KINGDOM