





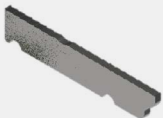






Mini Football Goal, Collapsible

Thank you very much for choosing a Sport-Thieme product!

Please read the instructions fully before you assemble the equipment, so you can enjoy the product and safety is guaranteed. We are happy to answer any questions you may have.

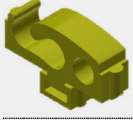







Accessories:


Pos.No.		Pcs.	Description
1		1	Goal post element left welded with net hanger
2		1	Goal post element right welded with net hanger
3		1	Crossbar
4		2	Slot nut double M8
5		4	Connector
6		4	Countersunk screw DIN 10642 - M8x16
7		1	Ground frame tube (long)
8		1	Steffening strut (short)
9		2	Lens head screw DIN 7380 - M8x50
10		2	Lens head screw DIN 7380 - M6x60
11		2a	PE cap

Assembly instructions for Art.-Nr. 243 7721

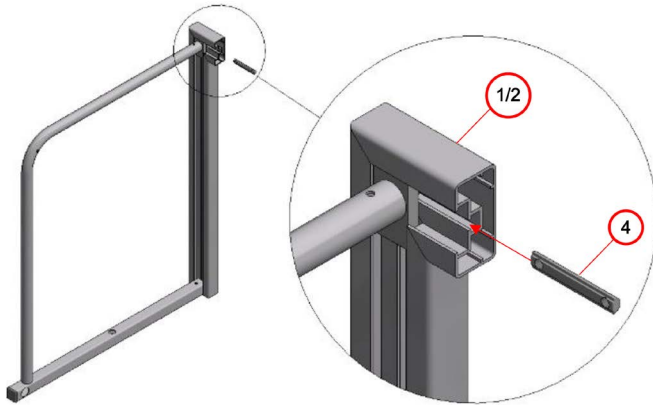
Accessories:

Pos.No.		Pcs.	Description
12			Net holder
13		1	4mm allen wrench
14		1	5mm allen wrench
15		1	Mounting key
16			PE string
17		2	Tent peg 22 cm long

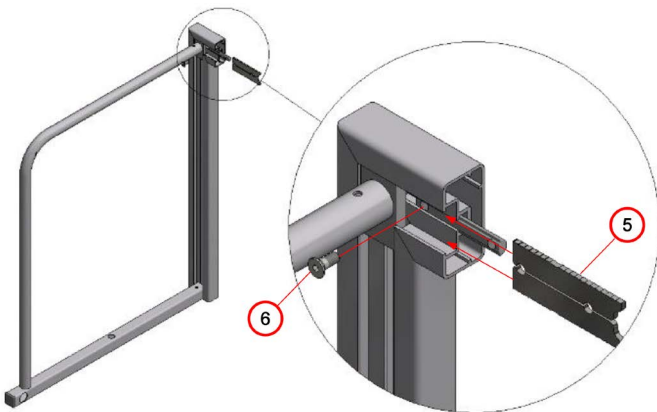
Required tool:

Pos.No.	Designation		
1	Tongue		
2	Safety gloves		Danger of cutting on the profile
3	Safety shoes		

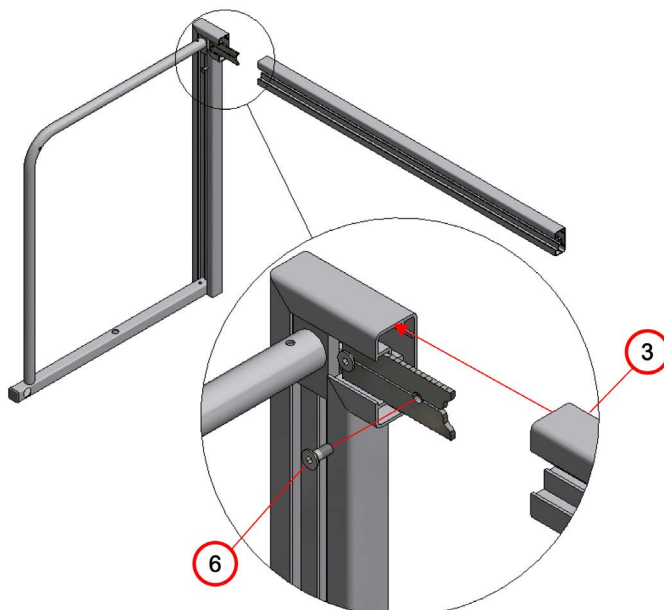
Working steps to assembly



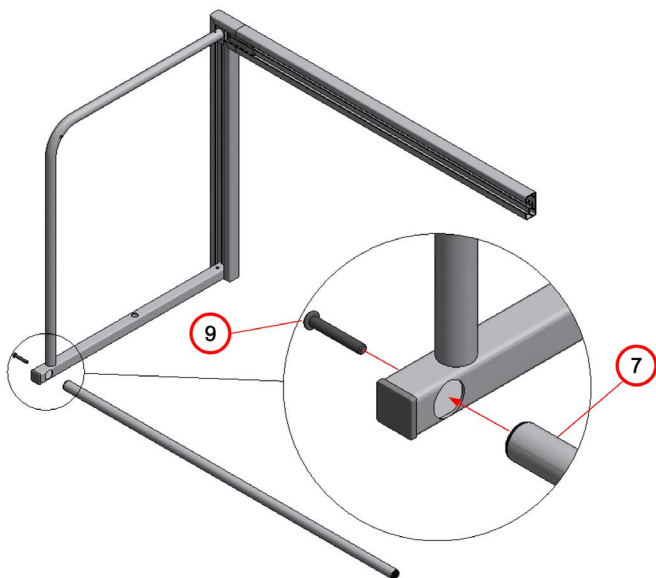
1. Slide a slot nut double M8 (3) in the little groove of the goal post elements, that a half of the slot nut look out.



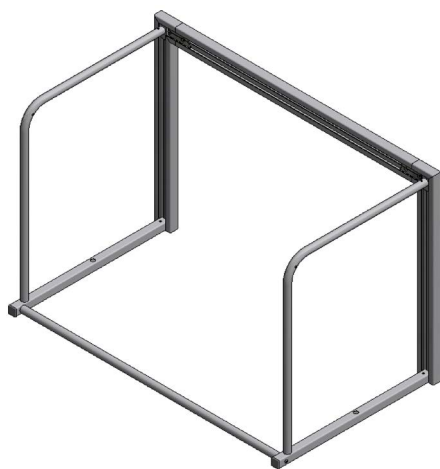
2. Slide two connector (5) in the big groove and align the bore holes of the connector (5) to the slot nut (4). The countersunk screw M8x20 (6) tighten through the connector into the slot nut.



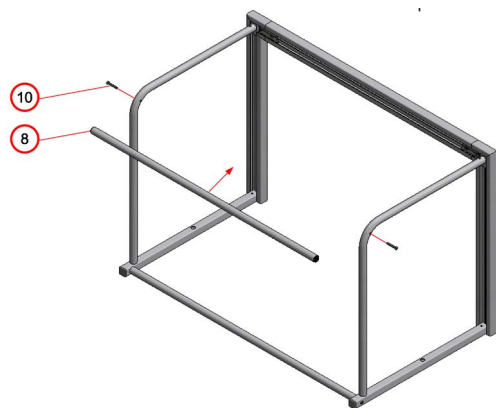
3. The crossbar (3) slide on the lookout connector (5) and slot nut. The countersunk screw M8x16 (6) tighten loosely through the connectors.



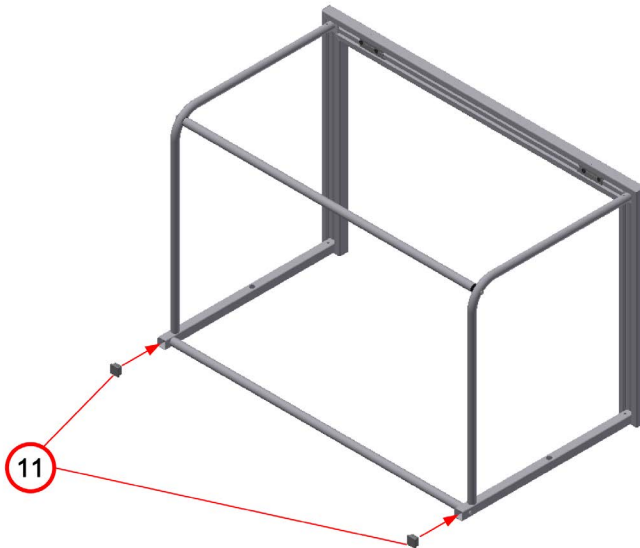
4. Put the ground frame tube (7) in the openings of the goal post element (1)



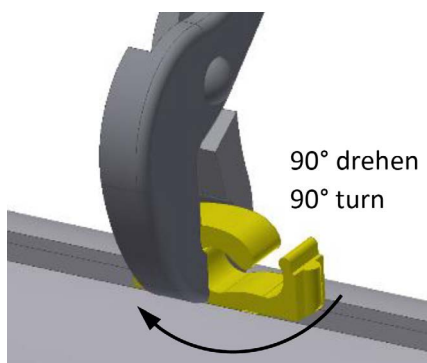
5. On the other goal post element repeat the step 1 and 4.



6. The stiffening strut (8) positioning at the top between the both net hanger and tighten this with the lens head screw M6x60 (10).
7. Only after checking if everything is correct, screw down all screws.



8. Impact the KU caps (11) on the goal post elements with a rubber hammer.



9. The net holder (12) put in the profile groove and turn 90° with the mounting key (15).
Alternatively, you can use a pipe tong.
- at the crossbar the openings upwards
- at the post the openings alternating right and left
10. Fix the net to the ground frame with the PE string (16). To do this, knot the PE string (16) at the bottom of the corner of the goal, pass it around the net meshes and loop around the ground frame to the other corner of the goal.
11. Using the tent pegs (17) through the holes in the goal post elements (1/2), secure the goal from tipping over

Maintenance instructions

- Once a month the screws must be checked and possibly tightened.
- Regular checks on damage and breaking points

Torque:

- For M6-screws: 6 Nm
- For M8-screws: 16 Nm
- For M10-screws: 32 Nm