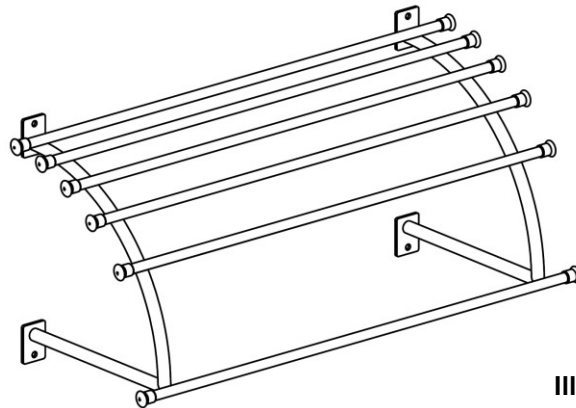


Operating/assembly instructions for hanging unit for exercise mats

Thank you very much for choosing a **Sport-Thieme** product. We want to make sure that you can enjoy this product, so here is some important advice for your safety as well as for the use and maintenance of the equipment.

Please read these instructions fully before you assemble and use the equipment:



III. 1: Hanging unit for exercise mats

Included:

<u>Pos.</u>	<u>Description</u>
1	1 x unit, L = 950 mm or 1450 mm
2	4 x bolt 10 x 80
3	4 x washer 12
4	4 x plastic wall plug 14 x 70

1. General

This space-saving stationary hanging unit is intended for tidy storage of up to 15 exercise mats on the equipment room wall. The practical storage aid is suitable for mats with or without eyelets.

The semi-circular design and staggered arrangement enable good access to all mats.

Product 126 8603 is designed for a mat width of max. 70 cm and product 126 8629 for a mat width of max. 120 cm.

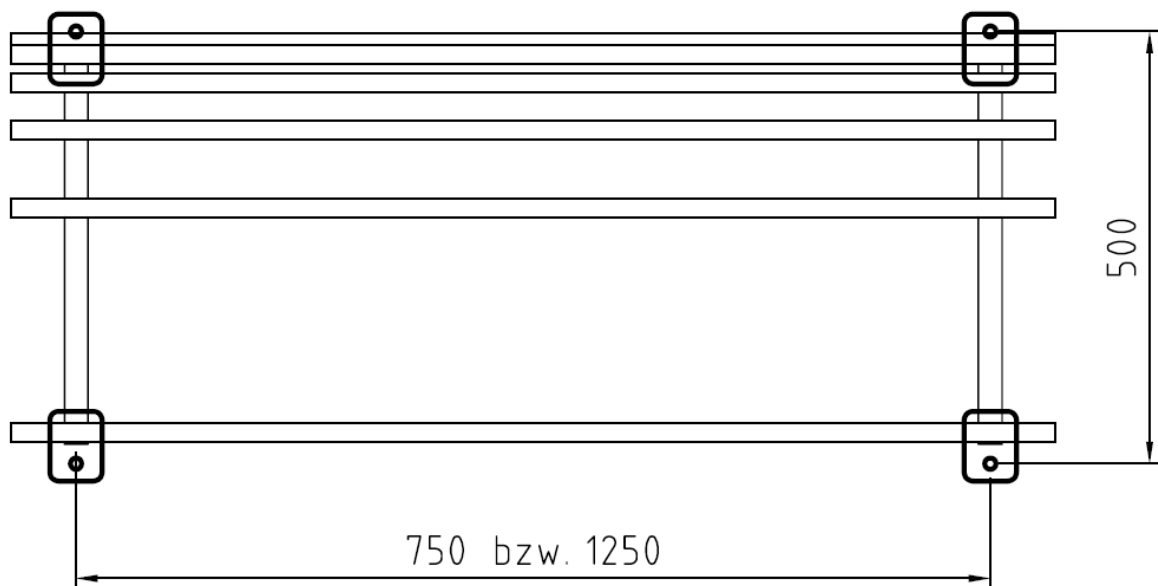
The protruding bars can be used for the storage of skipping ropes or similar.

The maximum load for the hanging unit is 30.00 kg!

2. Assembly instructions

Mark the drilling holes for the wall mounting plates (see ill. 2) and drill the holes for the hanging unit at the desired height into the wall using a drill bit $\varnothing = 14$ mm.

Mount the hanging unit ① using the wall plugs ④ + washer ③ + bolt ②.



III. 2: Mounting dimensions

Please note that the included plastic wall plugs ⑥ are only suitable for solid brick walls or concrete walls.

For other building materials, suitable wall plugs have to be sourced from specialist shops.

Caution: Do not overload or climb the equipment!



Maintenance and care instructions

Instructions:

Carry out a visual check at regular intervals. Due to our continuous quality control of the products, technical changes may occur which may lead to slight deviations in the instructions. Check at regular intervals that the screw connections are tight. Check the equipment for possible damage and replace worn-out parts.

We are happy to answer any questions you may have.

Your **Sport-Thieme** Team