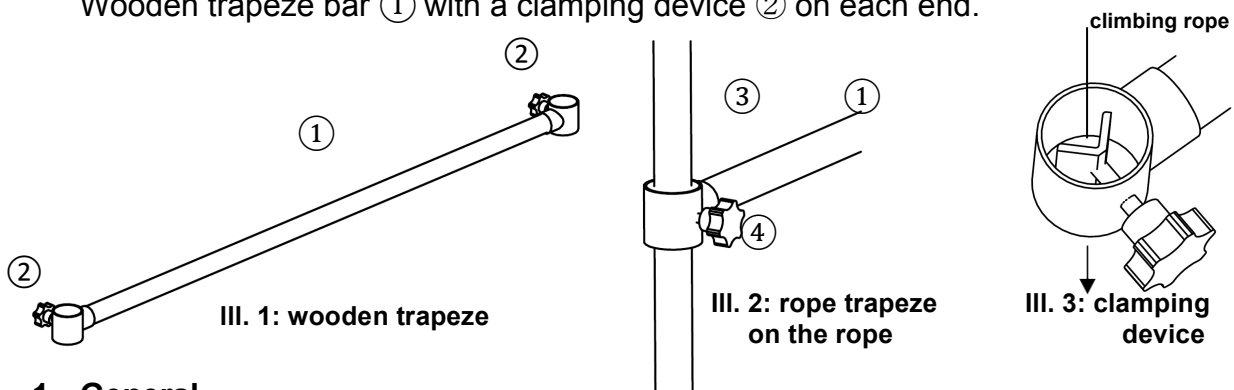


Instruction manual for the rope trapeze

Thank you very much for choosing a **Sport-Thieme** product. Please read the instructions fully before you assemble the equipment so you can enjoy the product and its guaranteed safety:

Wooden trapeze bar ① with a clamping device ② on each end.



1. General

This special system can be attached to existing climbing rope systems easily and safely. In addition, it offers a great variety of uses when combined with climbing nets or other pieces of playing equipment. The clamping device can be used safely with all ropes of 30-35 mm in diameter. Maximum load up to 80 kg.

2. Assembly instructions

Feed the rope trapeze from below into the climbing rope ③. At the desired height, tighten the locking screw ④ very firmly in order to prevent the trapeze bar from sliding. The pimples on the clamping device will now firmly grip the rope and offer extra security.

Avoid a slanted position of the trapeze bar ① and mount the trapeze bar horizontally.

3. Safety advice



Only suitable for climbing ropes of 30-35 mm in diameter! Ensure that the clamping device does not slide when under load. The locking screw of the clamping device must be loosened completely before moving the trapeze to prevent damage to the rope. Carry out a visual check at regular intervals. Due to our continuous quality control of the products, technical changes may occur which may lead to slight deviations in the instructions.

We are happy to answer any questions you may have.
Your **Sport-Thieme** Team