

Cross Trainer

FAZ52100

Art.Nr. 3175806

KOMPAN
Let's play



Item no. FAZ52100-0801

General Product Information

Dimensions LxWxH	179x83x175 cm
Age group	13+
Capacity (users)	1
Colour options	



The popular cross-trainer known from indoor fitness is now available for outdoor training. With the best ergonomics on the market, KOMPAN's Cross Trainer gives an intense workout and adds an extra intensity layer with a special sprint mode (glute mode) that allows a high-calorie workout that strengthens the gluteus and lower limbs while focusing on the

core stabilizer muscles. The KOMPAN Cross Trainer provides a safe, non-impacting workout without putting unnecessary stress on the joints. The KOMPAN cardio family is designed to give users of all ages, physiques and fitness levels a cardiovascular training that keeps their heart rate above the needed 65% of their maximum heart rate. The intelligent system

automatically adapts the workout to the pace set by the user, securing that the user gets a proper resistance. Besides the automatic drive the user can also choose to manually adjust the resistance with the KOMPAN cardio APP.



Cross Trainer

FAZ52100



You can connect the cardio machine to your phone or tablet via Bluetooth. This will provide instant feedback on speed, distance, cadence, watts, calories burned and time. You can also use your smart devices to manually adjust resistance (10 levels), have access to instructional and motivational videos, store and share activity data online!



The cross trainer has one welded steel frame connecting the front and the back of the machine. The frame creates an extremely strong and rigid constructing which is needed to cope with the high forces that can be applied.



The cover is made of one of the hardest materials in the market, a Lexan Copolymer EXL9330 and has a thickness of 4mm. This cover can withstand any impact and will protect the electronics in the best possible way.



The Innovative self-powered electrical motor and gear providing a virtual flywheel to give real road experience. The resistance works as an automatic drive and adapts automatically. The users can overwrite the automatic drive manually by changing the resistance in 10 steps (45-750 Watts) through the App or screen.



The handle bars is designed with multiple hand positions to accommodate different postures and riding styles. It is a casted Aluminium part with Polyurea coating for good grip and insulation.



The footrests are made 39cm long x 15cm wide, accommodating all foot sizes. The back of the footrest has a specifically designed inclined surface which will bring the users in a sprint position, using much more of the gluteus, hamstrings and lower back muscles.

Item no. FAZ52100-0801

Installation Information

Max. fall height	60 cm
Safety surfacing area	15,3 m ²
Number of installers	2
Total installation time	3,8
Excavation volume	0,68 m ³
Concrete volume	0,42 m ³
Footing depth (standard)	80 cm
Shipment weight	317 kg
Anchoring options	In-ground ✓ Surface ✓

Warranty Information

Footrests	10 years
Frame	10 years
Handlebars	10 years
Electronics	2 years
Spare parts guaranteed	10 years





Cradle to Gate A1-A3	Total CO ₂ emission	CO ₂ e/kg	Recycled materials
	kg CO ₂ e	kg CO ₂ e/kg	%
FAZ52100-0801	683,29	3,56	45,42

The overall framework applied for these factors is the Environmental Product Declaration (EPD), which quantifies "environmental information on the life cycle of a product and enable comparisons between products fulfilling the same function" (ISO, 2006). This follows the structure and applies a Life-Cycle Assessment approach to the entire Product stage from raw material through manufacturing (A1-A3))

Kompan A/S
 C.F. Tietgens Boulevard 32C
 DK-5220 Odense SØ
 Denmark



Validation of CO2 calculation of play module item no. PCM200309-0010.



Data version no. 2021-01-11

The CO2 calculation and data are in compliance with the principles of a carbon footprint impact according to the GHG protocol (Greenhouse Gas Protocol), Scope 3, cradle to gate related to all individual components in the play module item no. PCM200309-0010. (Scope 3 emissions include emission sources in the upstream and downstream value chain).

Date: 25. January 2021
Validated by:

Bente Nesting, Senior Consultant

Peter Bendtsen, Senior Consultant

Validation based on report: Validation of CO2 calculation of play module – Kompan, version 1.0, prepared by: Bureau Veritas HSE, Denmark: Bente Hviid Nesting and Peter Bendtsen

Publication date: 25. January 2021

By Bureau Veritas HSE
 www.bureauveritas.dk
 +45 7731 1000

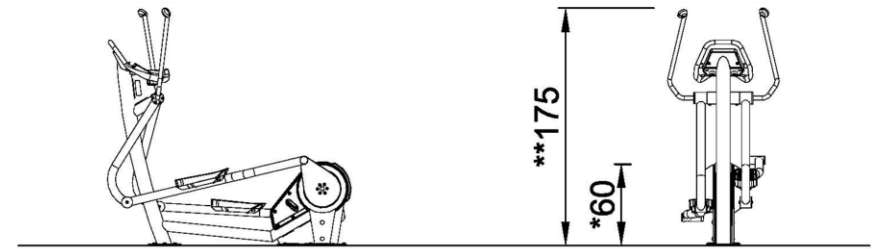
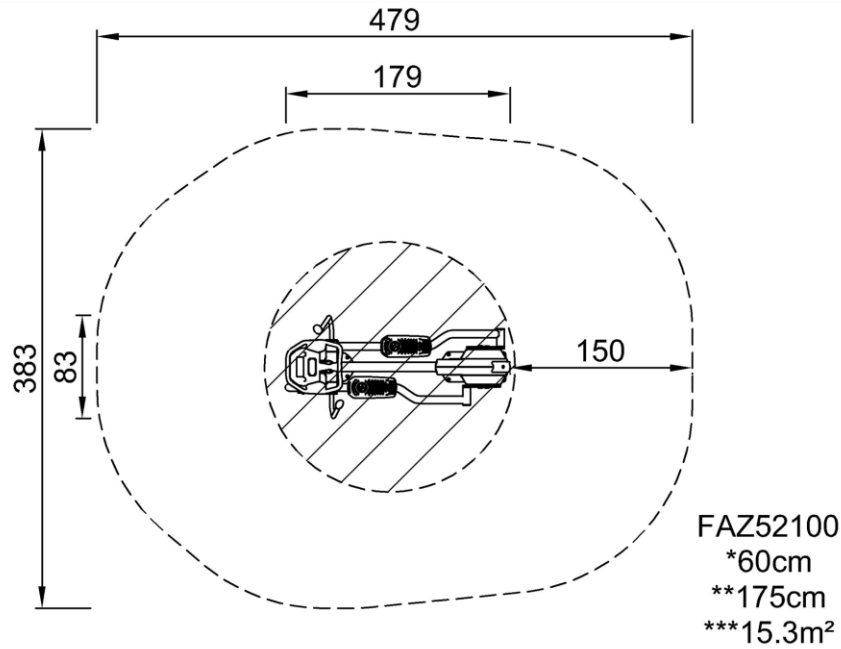


Cross Trainer

FAZ52100

* Max fall height | ** Total height | *** Safety surfacing area

* Max fall height | ** Total height



[Click to see 1:100 ratio TOP VIEW](#)

[Click to see 1:100 ratio SIDE VIEW](#)